

## SIGMA OEM PRODUCT CATALOG



*You envision it,  
we deliver it!*

### About SIGMA OEM

SIGMA OEM has a long history and deep expertise in all facets of the castings business. For over 35 years, we have been sourcing and procuring product from overseas for use throughout North America. SIGMA OEM can manufacture pump casings, valve bodies, brake calipers, impellers, counterweights, H Frames, gears, and precision castings—to name but a few—and we can produce virtually any casting item required by our customers. We utilize large-scale manufacturing facilities in emerging markets, and we have qualified SIGMA OEM personnel on the ground at each factory. Our established infrastructure means that customers benefit from excellent supplier relations, reliable logistics, and onsite responsiveness. The scale of our operation enables us to service small, medium, and large orders efficiently and cost-effectively. Our supplier relationships are based on trust and respect earned over four productive decades. Customers benefit from our long history in OEM; we know the people, the policies, and the protocols. SIGMA OEM offers solutions that enable our customers to reduce the total cost of ownership (TCO).

SIGMA OEM's name has become synonymous with quality. Our Quality Assurance Experts start by thoroughly auditing each factory before approving it as a SIGMA OEM manufacturer. They examine every facet of the operation from the procurement of raw materials to the maintenance of equipment through the manufacturing process. SIGMA OEM stations engineers at all factories to provide continuous technical support and frequent quality assurance inspections. Finally, SIGMA OEM conducts Incoming Quality Control tests, during which random samples of inventory are shipped from factories around the world to our company headquarters for inspection.

# INDEX

<b>Description</b>	<b>Page #</b>
<b>Manufacturing Process Capabilites</b>	<b>3</b>
<b>Industries Served</b>	<b>4</b>
<b>Valves</b>	<b>5</b>
<b>Flow Control - Industrial Valves</b>	<b>6</b>
<b>Hydrants</b>	<b>7</b>
<b>Pipe Repair Parts</b>	<b>8</b>
<b>Construction and Heavy Equipment</b>	<b>9</b>
<b>Pole Line Hardware</b>	<b>10</b>
<b>In-Line Stop Valves &amp; Filtration Systems</b>	<b>11</b>
<b>Drainage Systems</b>	<b>12</b>
<b>Agriculture/Off-Road Vehicles</b>	<b>13</b>
<b>Motors</b>	<b>14</b>
<b>Pumps</b>	<b>15</b>
<b>Elevator</b>	<b>16</b>
<b>Fabrications</b>	<b>17</b>
<b>Enclosures</b>	<b>18</b>
<b>Recreational Vehicles</b>	<b>19</b>
<b>Fitness Equipment</b>	<b>20</b>
<b>Cast Iron Cooking Grates/Drains</b>	<b>21</b>
<b>Material Handling</b>	<b>22</b>
<b>Automotive Components</b>	<b>23</b>
<b>Why SIGMA OEM</b>	<b>24</b>
<b>Distribution Locations</b>	<b>25</b>
<b>Global Sourcing Locations</b>	<b>26</b>

# MANUFACTURING PROCESS CAPABILITIES

## **Sand Casting**

- Green Sand
  - Disamatic, Hi-Pressure Molding Line, Jolt Squeeze Line, Flask, Flaskless Molding (Machine Molding)
  - Floor Molding
  - Squeezers
- No Bake Sand/Resin
  - Automatic Molding
  - Floor Molding

## **Shell Mold Casting**

- SIGMA provides shell mold casting for tighter tolerance molding and superior surface finish.
- Castings from 1 lb-75 lbs.

## **Stack Mold Casting**

This high production method of shell mold casting achieves tighter tolerance and superior surface finish.

## **Investment Casting**

This lost wax method produces the most accurate production castings.

## **Die Casting**

SIGMA uses this high pressure molding technique for aluminum alloys.

- Gravity Die Casting
- Pressure Die Casting

## **Vacuum Casting**

SIGMA OEM's innovative vacuum molding method uses a flask and vacuum technology that offers many benefits.

- No binding agent is required, so there is a cost savings
- Sand can be recycled.
- Produces excellent surface finish.
- Well suited to the fabrication of counterweights.

## **Forging**

- Open Die
- Closed Die

## **Speciality Coating**

- Liquid Spray Paint
- Powder
- Electrostatic Coating
- Galvanizing
- Water Soluble Rust Preventative

## **Machining**

SIGMA OEM can handle all quantities and sizes of components ranging from extremely simple to highly complex.

## **Assembly**

SIGMA OEM can deliver shipments for self-assembly, or we can provide fully assembled and tested products.

# INDUSTRIES SERVED

## Valve

- Check valve
- NRV
- Butterfly valve

## Flow Control - Industrial Valves

- High-performance control valve
- Hydraulic control valve
- Tandem Actuation
- Stem extensions
- Position indicator
- Plug Valve
- Ball Valve
- Conduit gate valve
- Pneumatic operation

## Hydrants

- Operating nut
- Weather seal
- Hold down nut
- Bonnet
- Upper stem
- Pumper nozzle
- Hose nozzle
- Upper barrel
- Lower Stem
- Upper valve plate
- Drain ring
- Main valve
- Lower valve plate
- Shoe

## Pipe Repair Parts

- Gland
- Tapping sleeve
- Steel flange
- Gaskets
- Break-off bolt
- Saddles
- Coupling
- Curb valve
- Finger lug

## Construction & Heavy Equipment

- Frames
- Counterweight
- Base
- Stick
- Bucket
- Housing
- Beam
- Tensioner Guide
- Handle
- Pedal

## Pole Line Hardware

- Clevis
- Gains
- Clamp
- Bracket
- Hanger
- Arms
- Bayonet
- Guy strain

## In-Line Stop Valves & Filtration Systems

- Strainer
- Cleanout
- Bonnet
- Valve body
- Stem collar
- Bonnet

## Drainage Systems

- Floor drain
- Strainer
- Cleanout
- Roof drain
- Trench drain grate

## Agriculture/Off-Road Vehicles

- Tractor components
- Axle hub
- Counterweight

## Motors

- Motor adapter plate
- Motor housing
- Fully assembled motor
- Frame

## Pumps

- Centrifuge
- Sludge
- Miud
- Slurry
- Submersible
- Circulator

## Elevator

- Sheaves
- Counterweight
- Guide rail
- Tension frame

## Fabrications

- Recycle bin
- Bed frame

## Enclosures

- Meter pit
- Meter box
- Lid

## Recreational Vehicles

- Components for marine vessel
- Components for ATVs
- Components for golf cart

## Fitness Equipment

- Dumbbell
- Weight plate
- Home fitness equipment

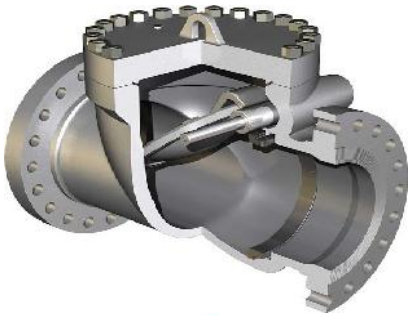
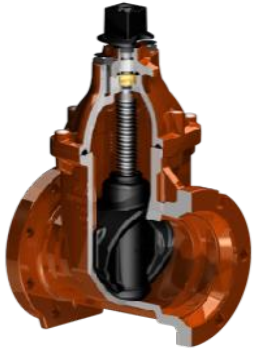
## Cast Iron Cooking Grates/Drains

- Gas burner grate
- Barbeque grate
- Kitchen floor drain

## Material Handling

- Components for sorting center
- Conveyor

# VALVES

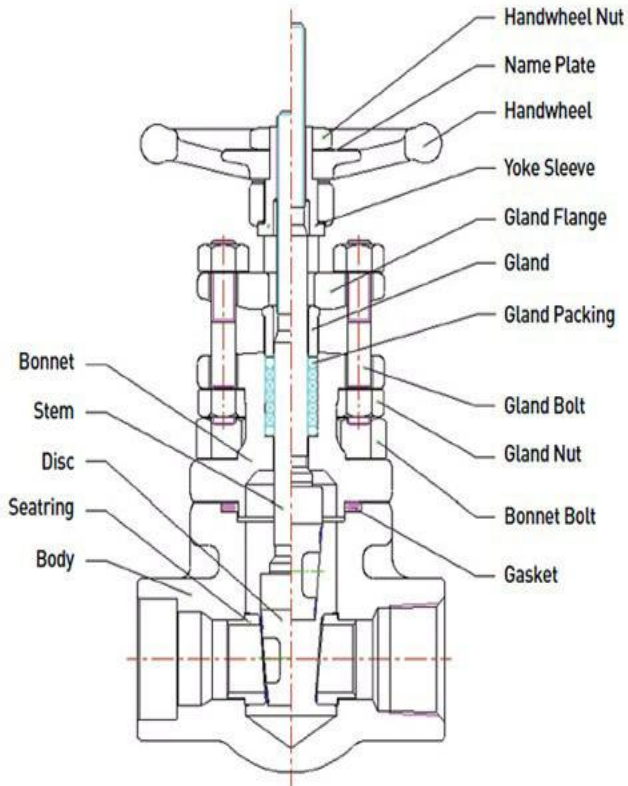


## Components of:

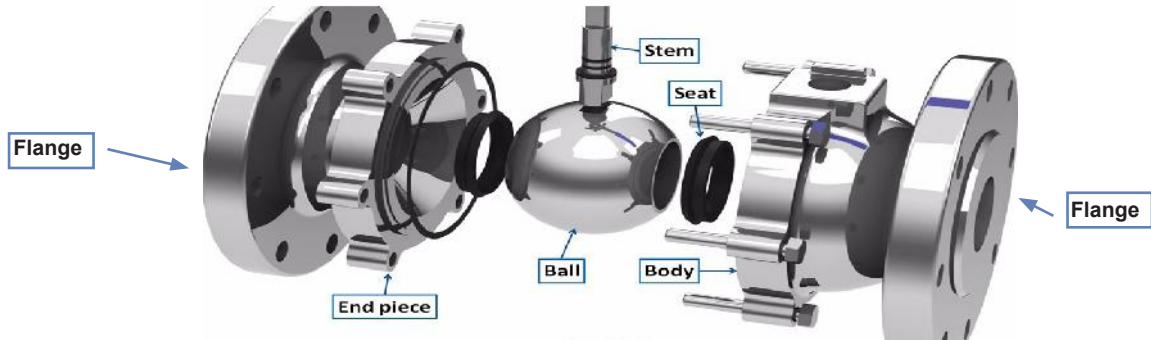
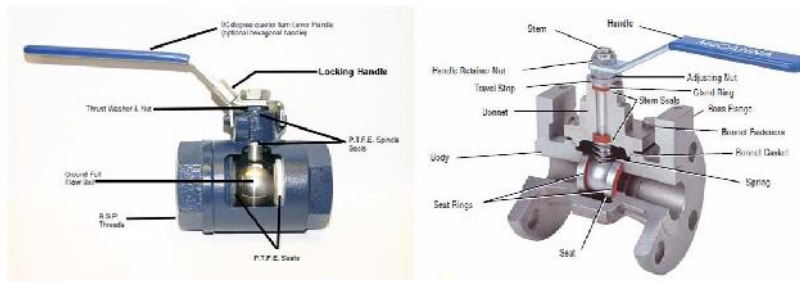
- Check Valve
- NRV
- Butterfly Valve

## Component Details

Item	Sizes	Weight (lbs)	Material
OS&Y Handwheel	8" - 16"	1-20	Alumium, Ductile Iron/Cast Iron
Wrench Nut	1.75" - 2.25"	1-2.5	Ductile Iron/Cast Iron
Stuffing Box	5.5"	3	Ductile Iron
Anti-Friction Washer			Rubber or Metal
Stuffing Box O-Ring			SBR/Intrile/EPDM
Bonnet	2" - 36"	7-498	Ductile Iron
Stem			Bronze/Carbon Steel/Stainless Steel
Body-MJ Ends, flange, Push, Restraint End	2" -36"	18-80	Ductile Iron
Stem Nut	1.75" - 2.25"	1.50-3	Brass
Encapsulated Wedge	2" -12"	5-20	NSF/SBR/EPDM
Disc Casting	2" - 36"	5-35	Ductile Iron/Cast Iron

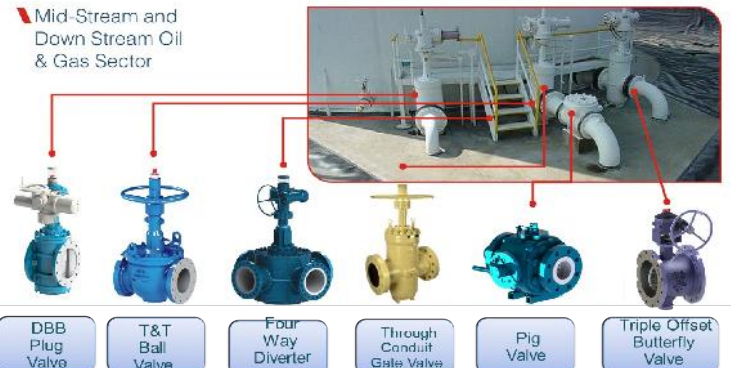
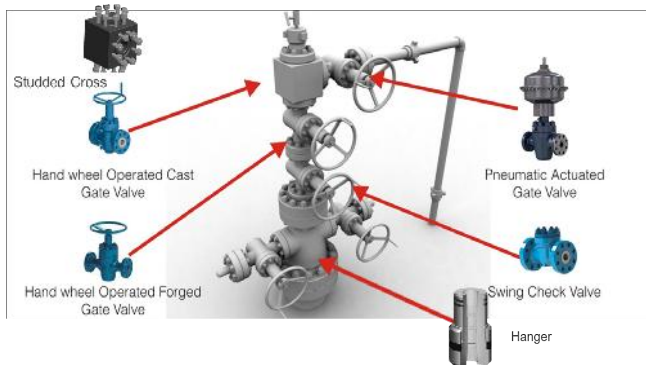
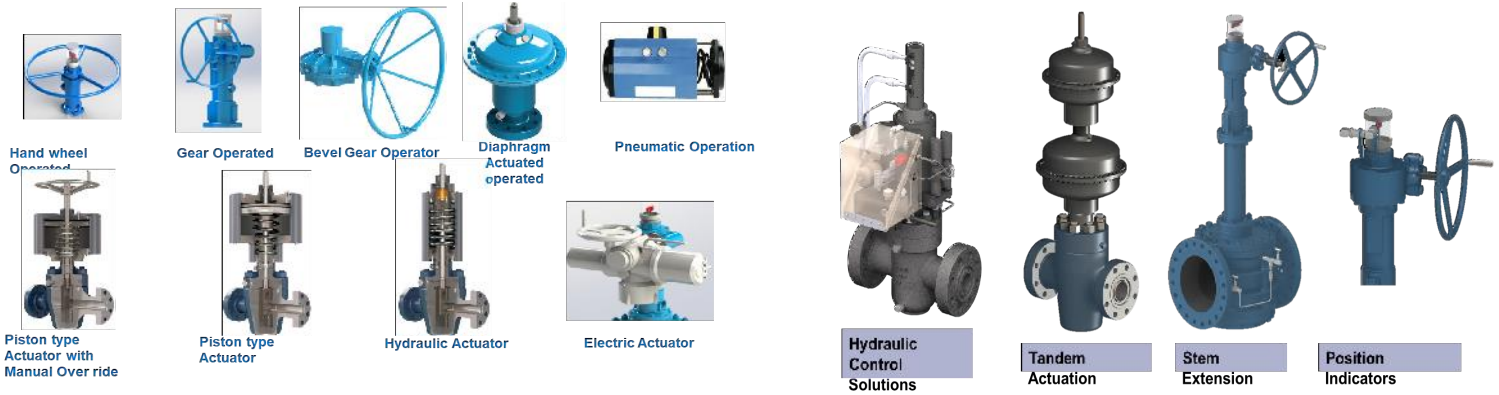


# FLOW CONTROL - INDUSTRIAL VALVES



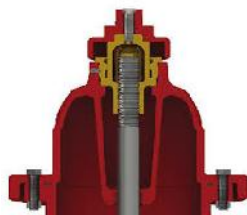
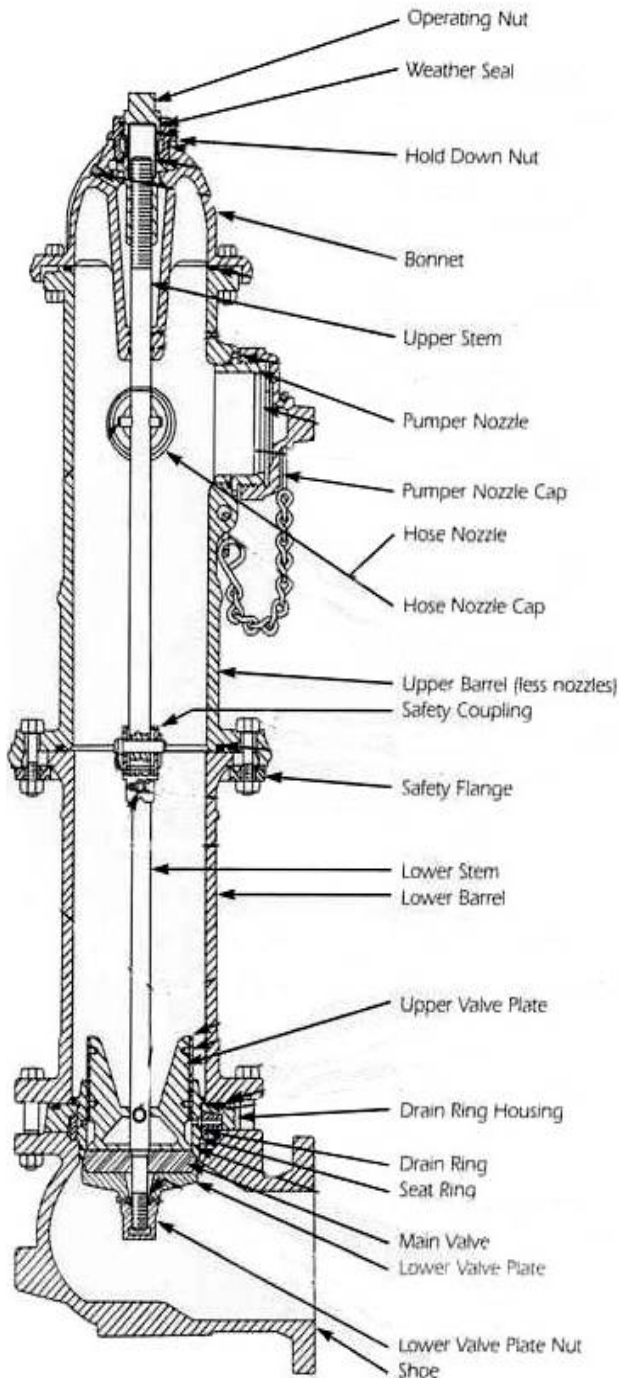
**Notes:**

- Components of the valves or fully assembled valve
- AIS compliant also available



# HYDRANTS

## Typical Hydrant Parts for Dry Barrel Hydrants



### Component Details

Item	Sizes	Weight (lbs)	Material
Operating Nut	2" - 8"	1-5.5	Bronze/Ductile Iron
Weather Seal	2" - 4"	1-3	Ductile Iron
Hold Down Nut	1/2" - 1-3/4"	0.25-1	Bronze
Bonnet	4.5" - 6"	6.5-10	Ductile Iron
Upper Stem	12"	1.75	Stainless Steel
Pumper Nozzle	6"	3.75	Bronze/Stainless
Pumper Nozzle Cap	4.5"	5	Ductile Iron/No Lead Bronze
Hose Nozzle	2.5"	1.5	Stainless Steel/Aluminum/No Lead Bronze
Hose Nozzle Cap	2.5"	3	Aluminum/Ductile Iron
Upper Barrel (less nozzles)	4.5" - 6"	51-78	Ductile Iron
Safety Coupling	4.5"	1	Stainless Steel/Ductile Iron/Cast Iron
Safety Flange	1" - 12"	1.5-8	Cast Iron/Ductile Iron
Lower Stem	12" - 72"	3-15	Carbon Steel/Stainless Steel
Lower Barrel	4.5-6'	53.5-68	Ductile Iron
Upper Valve Plate	6"	4.5	Stainless Steel
Drain Ring Housing	6" - 8"	5-8	No Lead Bronze/Stainless Steel/Ductile Iron
Drain Ring	6"	6.5	Bronze/Stainless Steel
Seat Ring	6"	11	No Lead Bronze/Stainless Steel
Main Valve	6"	10	Ductile Iron/Cast Iron/Rubber Enclosed
Lower Valve Plate	6"	3.25	Stainless Steel/Ductile Iron
Lower Valve Plate Nut	2"	0.75	Stainless Steel/Ductile Iron
Shoe	6" - 8"	51-67	Ductile Iron

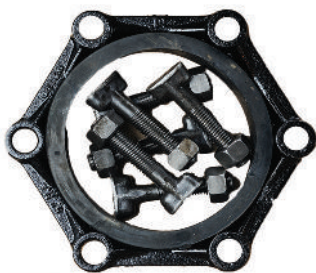
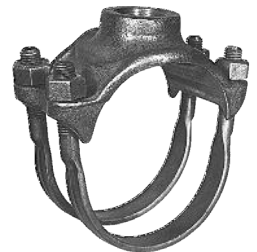
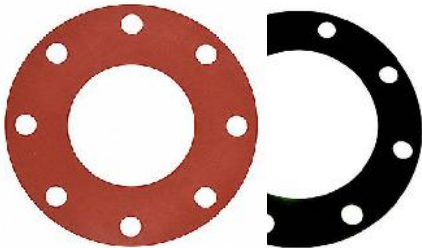
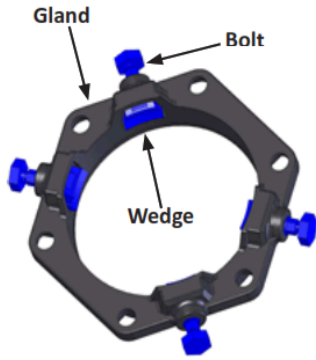
Note: SIGMA OEM supplies only the components of the hydrant and not the fully assembled hydrant

# PIPE REPAIR PARTS

## Component Details

Item	Sizes	Weight (lbs)	Material
Gland	3"-64"	4-300	Ductile Iron/Cast Iron
Tapping Sleeve	4"-36"	100-1500	Ductile Iron/Cast Iron/Steel Fabrication
Steel Flange	3"-36"	2-1600	SS 304/Low Carbon Steel
Gaskets	3"-64"		SBR/EPDM/Neoprene/Nitril
Break-off Bolts	1-1/2"-5"		Ductile Iron
Saddles			
T-Head Bolts	4"-8"		Stainless Steel/Corten Carbon Steel
Stainless Steel Clamps	1/2" - 4"		Stainless Steel
Couplings	2" - 12"	22-129	Ductile Iron
Service Saddles	2" - 24"		Ductile Iron/Bronze
Curb Valves & Box	3/4"-2"		Heavy Brass Components
Finger Lugs	1/2" - 36"		Stainless Steel/Ductile Iron

Note: Gaskets also come in NSF61 upon request



# CONSTRUCTION & HEAVY EQUIPMENT

Note: We can supply various components for equipment such as:

- Escavator
- Forklift
- Backhoe
- Loader
- Skid Steer Loaders
- Mini Skid
- Bull Dozer

## Component Details

Item	Material
Frames	Steel/Cast Iron
Counterweights	Steel/Cast Iron
Base	Steel/Cast Iron
Stick	Steel/Cast Iron
Bucket	Steel Plate (Fabricated)
Housing	Cast Iron
Beam	Steel
Tensioner Guide	Iron/Steel/Chrome
Handles	Steel/Aluminum/Alloy
Pedals	Iron

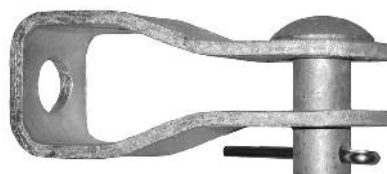
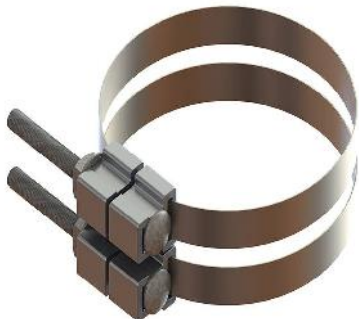
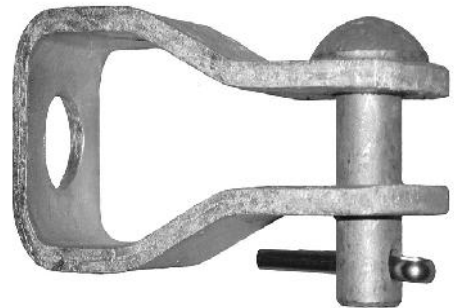


# POLE LINE HARDWARE

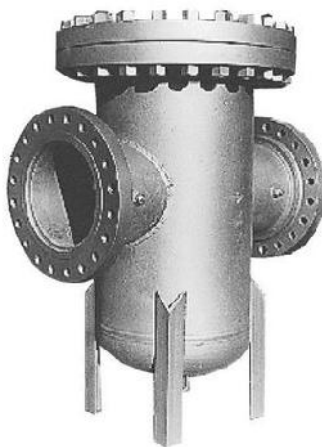
Component Details

Item	Material
Clevis	Cast Iron/Ductile Iron/Steel
Gains	Cast Iron/Ductile Iron/Steel
Clamps	Cast Iron/Ductile Iron/Steel
Brackets	Cast Iron/Ductile Iron/Steel
Hangers	Cast Iron/Ductile Iron/Steel
Bands, Pile	Cast Iron/Ductile Iron/Steel
Arms	Cast Iron/Ductile Iron/Steel
Bayonets	Cast Iron/Ductile Iron/Steel
Guy Strain	Cast Iron/Ductile Iron/Steel
Spool Insulators	Cast Iron/Ductile Iron/Steel
Grid	Cast Iron/Ductile Iron/Steel

Note: Hot dip galvanized available



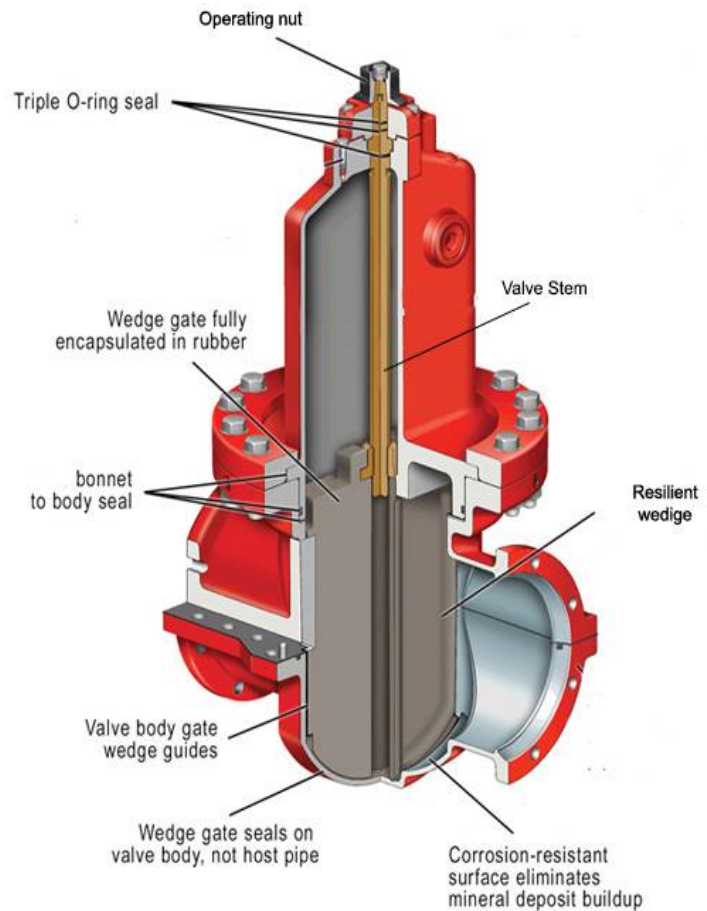
# IN-LINE STOP VALVES & FILTRATION SYSTEMS



## Component Details

Item	Material
Strainer	Stainless Steel/Iron/Steel/No Lead Brass
Cleanouts	Stainless Steel/Iron/Steel/No Lead Brass
Bonnet	Stainless Steel/Iron/Steel/No Lead Brass
Operating Nut	Stainless Steel/Iron/Steel/No Lead Brass
Valve Body	Stainless Steel/Iron/Steel/No Lead Brass
Stem Collar	Stainless Steel/Iron/Steel/No Lead Brass
Mounting Body	Stainless Steel/Iron/Steel/No Lead Brass
Resilient Wedge	Casting

Note: Sizes 4" - 24"



# DRAINAGE SYSTEMS

Component Details

Item	Material
Floor Drain	Cast Iron/Bronze/Stainless Steel/Aluminum
Strainer	Cast Iron/Bronze/Stainless Steel/Aluminum
Floor Sink	Cast Iron/Bronze/Stainless Steel/Aluminum
Cleanout	Cast Iron/Nickle Bronze/Stainless Steel
Roof Drain	Cast Iron/Bronze/Stainless Steel/Aluminum
Carrier	Cast Iron/Bronze/Stainless Steel/Aluminum
Adapter	Cast Iron/Bronze/Stainless Steel/Aluminum
Trench Drain Grate	Cast Iron/Bronze/Stainless Steel/Aluminum



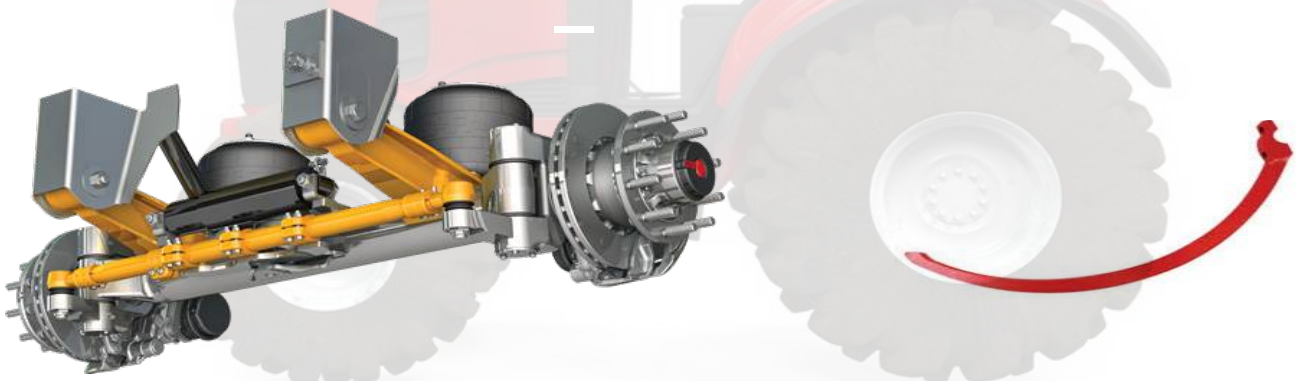
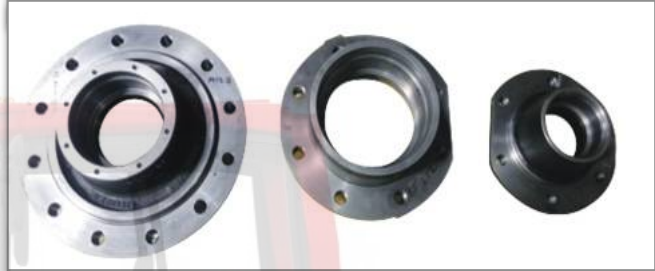
# AGRICULTURE/OFF-ROAD VEHICLES

## Component Details

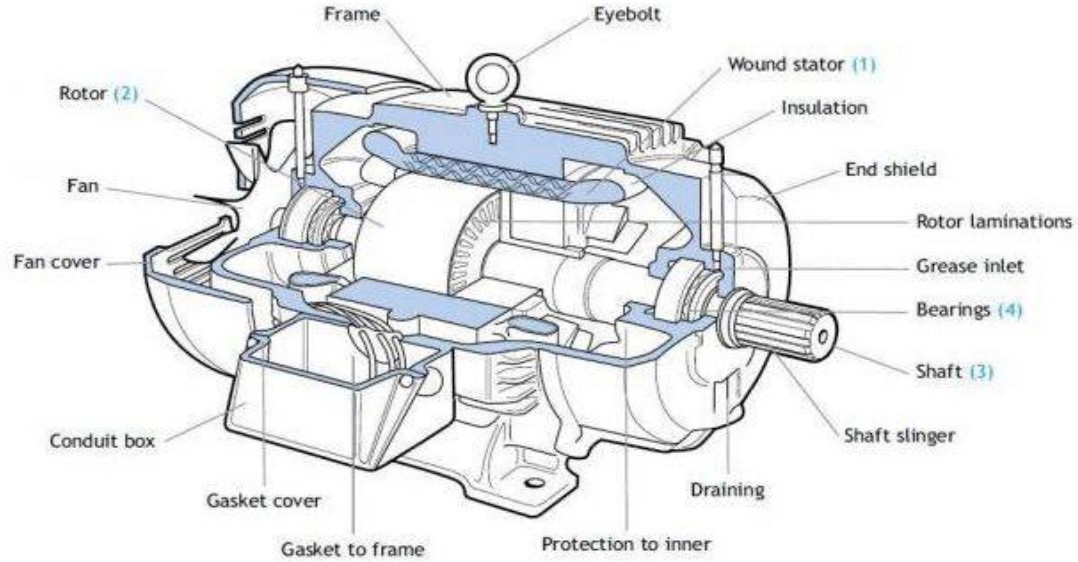


Item	Material
Front Axle Support	Ductile Iron/Cast Iron/Steel
Hubs	Ductile Iron/Cast Iron/Steel
Bogie Anchorage	Ductile Iron/Cast Iron/Steel
King Post	Ductile Iron/Cast Iron/Steel
Railway Safety Parts	Ductile Iron/Cast Iron/Steel
Flywheel Housing	Ductile Iron/Cast Iron/Steel
Case Transmission	Ductile Iron/Cast Iron/Steel
Clutch Housing	Ductile Iron/Cast Iron/Steel
Differential Housing	Ductile Iron/Cast Iron/Steel
Gear Box Housing	Ductile Iron/Cast Iron/Steel
Rear Axle Housing	Ductile Iron/Cast Iron/Steel
Brake Drum	Ductile Iron/Cast Iron/Steel
Trailer Beam/Arm	Ductile Iron/Cast Iron/Steel
Counterweights	Ductile Iron/Cast Iron/Steel
Needle	Ductile Iron Investment Casting

Note: SIGMA OEM can supply many other components



# MOTORS



## Component Details

Item	Sizes	Weight (lbs)	Material
Motor Adapter Plate			Cast Iron/Steel
Motor Housing		Up to 10,000	Cast Iron/Aluminum
Fully Assembled Motor	2 - 36"	20-10,000	
Electric Frame	8-230"	30-2700	Cast Iron
End Shield			
Cover		50-300	Cast Iron
Boxes (inside motor)		5-65	Cast Iron
Bearing Cap		20-150	Cast Iron
Conduit Box	2-10"	5-20	Cast Iron/Carbon Steel
Blower Motor			Cast Iron/Steel

Note: SIGMA OEM can supply components of motors or fully assembled motors

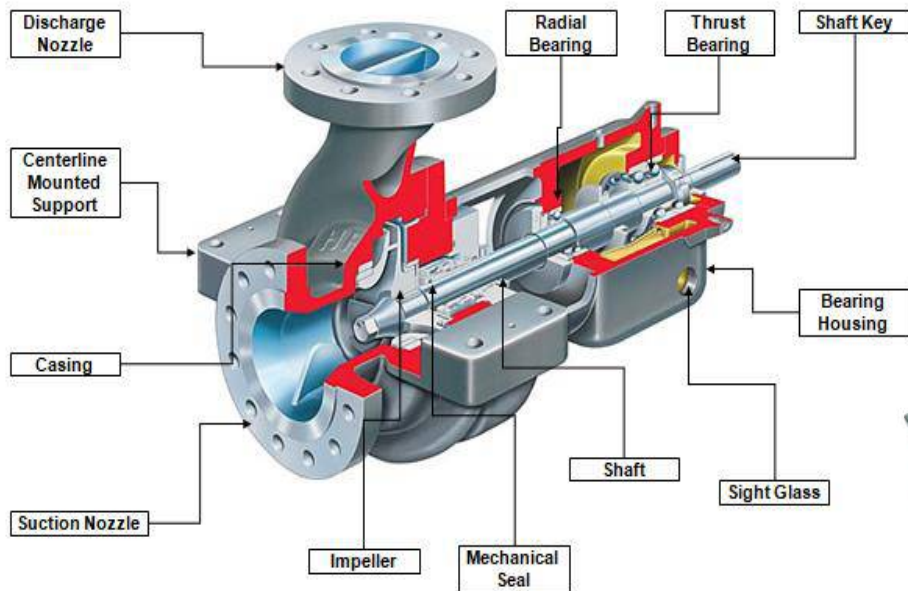


# PUMPS

## Component Details



Item	Sizes	Weight (lbs)	Material
Housing/Casing	2-24	3-60	Stainless Steel/Cast Iron/Ductile Iron
Pump Cover	2-24	1-15	Stainless Steel/Cast Iron/Ductile Iron
Volute	2-24	3-60	Stainless Steel/Cast Iron/Ductile Iron
End Cap	2-24	1-10	Stainless Steel/Cast Iron/Ductile Iron
Impeller	2-6	1-10	Stainless Steel/Cast Iron/Ductile Iron
Flanges	3-26	4-20	Stainless Steel/Cast Iron/Ductile Iron
Mounting Support	12-36	15-75	Stainless Steel/Cast Iron/Ductile Iron
Suction Nozzle	2-24	1-30	Stainless Steel/Cast Iron/Ductile Iron
Discharge Nozzle	2-24	1-30	Stainless Steel/Cast Iron/Ductile Iron
Bearing Housing	2-16	2-16	Stainless Steel/Cast Iron/Ductile Iron
Seal Housing	2-24	3-16	Stainless Steel/Cast Iron/Ductile Iron
Coupling	2-8	2-10	Stainless Steel/Cast Iron/Ductile Iron



Note: Typical schematic of pumps we can supply:

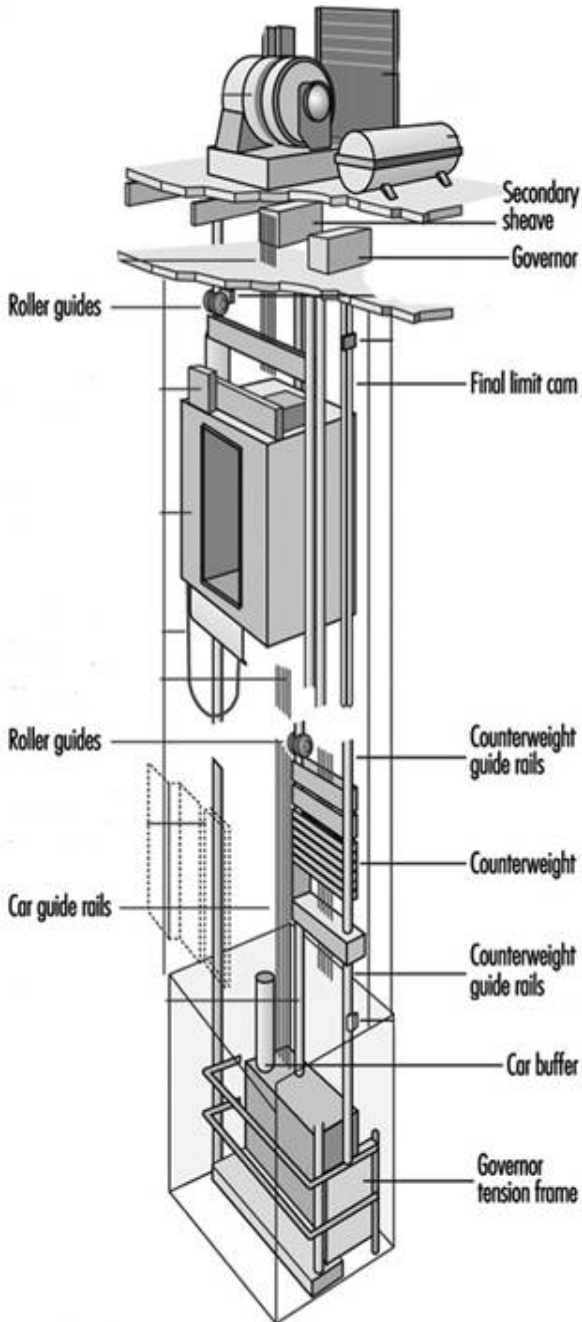
- Centrifuge
- Sludge
- Sewer
- Mud
- Slurry
- Submersible
- Circulator



# ELEVATOR

## Component Details

Item	Material
Sheaves	Ductile Iron
Governor	Cast Iron/Ductile Iron
Roller Guides	Steel/Ductile Iron
Counterweight	Cast Iron
Guide Rails	Cast Iron/Ductile Iron
Car Buffer	Cast Iron/Ductile Iron
Final Limit Cam	Cast Iron/Ductile Iron
Governor Tension Frame	Ductile Iron/Fabricated with Steel plates



# FABRICATIONS

SIGMA OEM entered the clothing recycle bin market in 2016, when a customer requested reverse engineering on an existing model. SIGMA OEM worked with the prototype, and was able to reverse engineer and improve the design to such an extent that the customer placed a large order. Since then, that same customer has continued to source their bins from SIGMA OEM. The clothing recycle bin business quickly expanded to supply major players in the sector, such as Goodwill, the Salvation Army, Bay State, and numerous other organizations.

**Component Details**

Item	Sizes	Weight (lbs)	Material
Bed Frames	76.00" w × 39.00" d × 12.00" h (single) or 76.00" w × 39.00" d × 64.00 h (bunk bed)	54-142	Steel
Recycle Bins	4x4x83 or 6x4x83		Galvanized Steel
Storage Bins	Various	Various	High Density Polyethylen



# ENCLOSURES

## Component Details



Item	Sizes	Material
Meter Box Rectangular Straight Wall	10x15x12 thru 17x30x18	HDPE
Meter Box Rectangular Non-Stacking Straight Wall	9x16x12 thru 17x30x12	HDPE
Meter Box Rectangular Flared	10x15x12 thru 17x30x18	HDPE
Meter Pit Round Straight Wall	15x18 thru 36x36	HDPE
Meter Pit Round Pits	15x18 thru 36x36	HDPE
Meter Pit Round Non-Stacking Straight Wall	18x30	HDPE
Meter Pit Round Tapered Wall	16x24x36 thru 21x24x36	HDPE
Meter Pit Round Full Barrel Wall	17x24x48 thru 24x33x48	HDPE
Meter Box: Extensions for Straight Wall	11x18x12 thru 20x20x12	HDPE
Meter Pit: Extensions for Full Barrel	20x24x12	HDPE
Meter Pit: Extensions for Pits	16x12 thru 36x6	HDPE
Meter Pit: Round Grade Extensions	18x12 thru 20x22	HDPE
Meter Box Lids	10x15 thru 36x51	HDPE/Cast Iron
Meter Box Seed Box Lids	42x54 and 48x48	HDPE/Cast Iron
Meter Pit Lids	16" and 20"	HDPE/Cast Iron

### Notes:

1. With or without mouse hole, all others on request
2. Standard Inside/Outside Color = Black, but can supply in two different colors (exterior/interior)





# FITNESS EQUIPMENT



## Component Details

Item	Weight (lbs)	Material
Dumbbells	5-100	Cast Iron/Ductile Iron/
Kettlebells	5-100	Cast Iron/Ductile Iron
Weight Plates	2.5-100	Cast Iron/Ductile Iron
Barbells	20-110	Cast Iron/Ductile Iron/Alloy Steel
Home Fitness Equipment		Various Materials

**Home Fitness Equipment:** All components can be supplied



# CAST IRON COOKING GRATES/DRAINS



## Component Details

Item	Material
Gas burner grate-Square	Cast Iron
Gas burner grate-Rectangular	Cast Iron
Barbeque Grates-Rectangular	Cast Iron
Barbeque Grates-Round	Cast Iron
Kitchen Floor Drain	Cast Iron

### Notes:

1. SIGMA OEM can supply all shapes i.e., round, square, oval, rectangular, etc.
2. SIGMA OEM can offer various coatings, such as FBE or porcelain.



# MATERIAL HANDLING

H-Frames, bearings, fabrications, castings, etc. can be manufactured by SIGMA OEM.



# AUTOMOTIVE COMPONENTS

## Component Details



Item	Material
Housings	Aluminum
Clutch Housing	Aluminum
Timing Covers	Aluminum
Plate - CL Backing	Aluminum
Pump Assy - Conv (Bal)	Aluminum
Piston - Lockup CL	Aluminum
Turbine Assy - TRQ Conv	Aluminum
Hub - Lockup CL	Aluminum
Spacer	Aluminum
Ring Spacer	Aluminum
Retainer Rev Carrier	Aluminum
Gear - Front Int	Aluminum
Drum - Carrier, Combined, Int Spline	Aluminum
Housing Assembly - Clutch, Fourth	Aluminum
Gear - Speedometer Drive	Aluminum



# WHY SIGMA OEM

SIGMA OEM has a long history and deep expertise in all facets of the castings business. For over 35 years, we have been sourcing and procuring product from overseas for use throughout North America. As a division of SIGMA Corporation, SIGMA OEM has the ability to leverage the full reach and infrastructure of a \$300MM company. This economy of scale offers significant benefit to customers; SIGMA ships 5000 containers annually, so we have access to a vast global logistics network. This enables us to deliver efficient, cost-effective products and solutions to our OEM customers.

SIGMA OEM can manufacture pump casings, valve bodies, brake calipers, impellers, counterweights, H Frames, and precision castings—to name but a few—and we can produce virtually any casting item required by our customers.

SIGMA OEM delivers on what customers need most: quality; efficiency; and cost. Our worldwide global network and diversified supplier base ensure that customers receive competitive pricing and prompt delivery each and every day. SIGMA OEM delivers OEM parts in excess of \$60MM per year. This huge scale gives us incredible purchasing power with our suppliers and yields sizable influence and mind-share on their factory floors.

Our success as an OEM supplier can be attributed to excellence in four key areas:

- Risk Mitigation
- Global Presence
- Quality
- Service

SIGMA OEM brings these competitive advantages for the benefit of our customers:

- As a US Company with 35 years of excellence in manufacturing and technology, our service is backed by Terms of Sale that are conducive to US business structures and enforceable by US contracts.
- SIGMA OEM personnel onsite managing international facilities.
- Stocking and Inventory Program with locations across the US and Canada.
- Minimizes Total Cost of Ownership (TCO) for customers.

# DISTRIBUTION LOCATIONS

With quality and engineering operations in Asia and North America and distribution centers across the US and Canada, SIGMA OEM has the expertise and presence to provide personalized, local service to customers worldwide.



## NORTH AMERICA LOCATIONS

### **CORPORATE HEADQUARTERS**

#### **NORTHEAST DISTRIBUTION FACILITY**

700 Goldman Drive  
Cream Ridge, NJ 08514

#### **SOUTHEAST DISTRIBUTION FACILITY**

1500 Highway 22 W  
Alexander City, AL 35010

108 Walter Davis Drive  
Birmingham, AL 35209

#### **MIDWEST DISTRIBUTION FACILITY**

21699 Torrence Avenue  
Sauk Village, IL 60411

22700 I-76 Frontage Road  
Brighton, CO 80603

#### **SOUTHWEST DISTRIBUTION FACILITY**

5000 Askins Lane  
Houston, TX 77093

#### **WESTERN DISTRIBUTION FACILITY**

4652 E. Guasti Road  
Ontario, CA 91761

902 W Main Street  
Auburn, WA 98001

#### **CANADA DISTRIBUTION FACILITIES**

2353 Bowman Street  
Innisfil, Ontario L9S 3V6

26224 Highway 37  
Sturgeon County, Alberta T8T 0H3

# SIGMA OEM SOURCING PORTFOLIO

## China, India, Indonesia, Mexico, Vietnam

- **Vast Presence in China**
  - Numerous Foundries from fractional weight to 5 MT
- **Very Strong Presence in India**
  - Wide range of sources in iron, stainless steel, NL Bronze
  - SMC ( SIGMA's own machine shop and finishing center )
- **Strong Supplier Partner in Indonesia**
  - Malleable Iron & DI foundry with galvanizing capability
- **Strategic Source in Mexico**
  - DI foundry with green sand molding, flaskless no bake, and floor molding up to 3.5MT
- **Strategic Source in Vietnam**
  - Fabrication, DI foundry and aluminum foundry

