

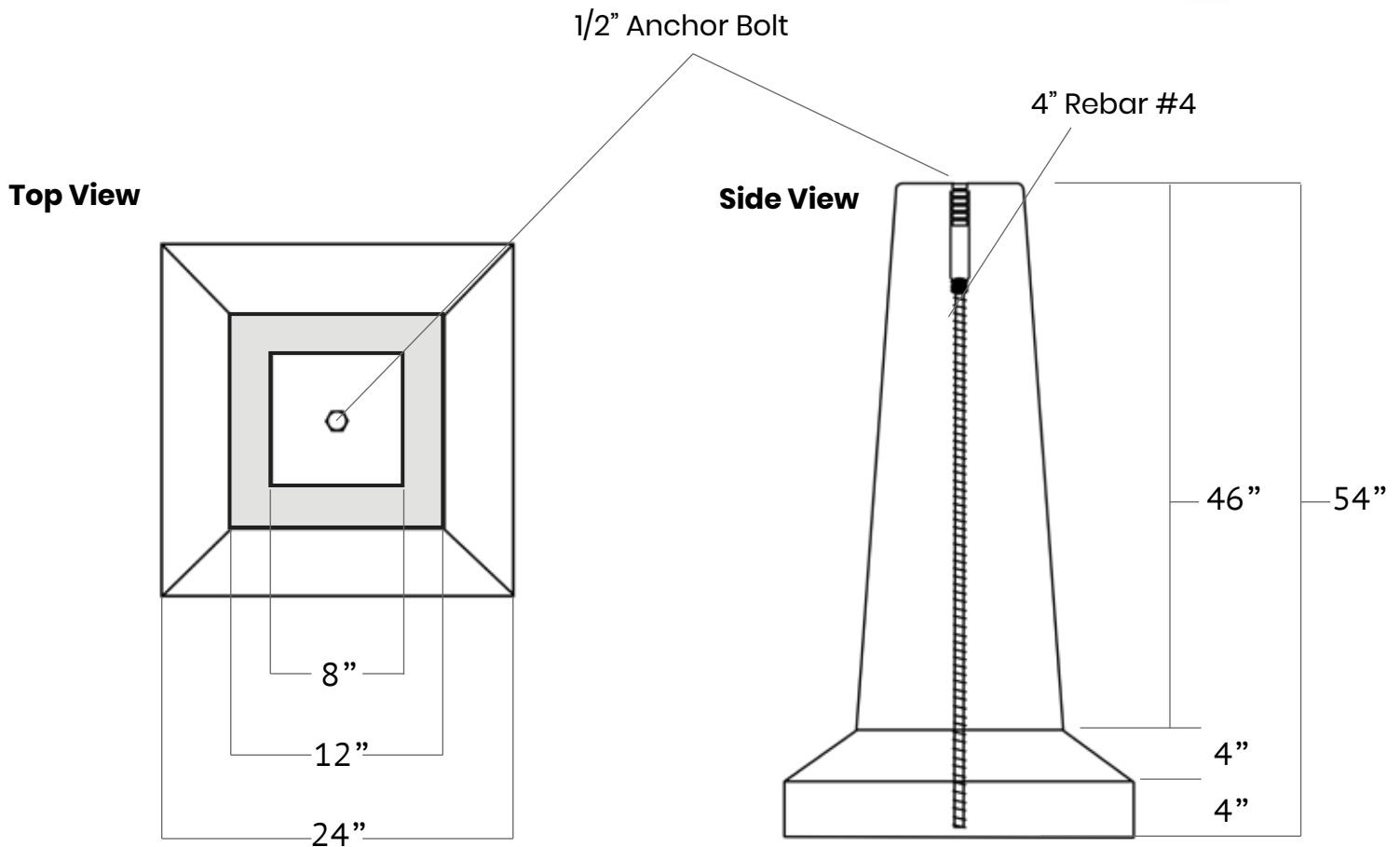
EZ-PIER

Notes



Additional product info,
videos, and photos
can be found at

EZ-CRETE.COM



Precast Footing Notes:

- 5,000 PSI Concrete Strength
- Weight: 750 lbs. TYP
- Footings equipped with 1/2 inch anchor bolt and 4 foot piece of rebar #4

