

CavitySlider® Pocket Frame

The **CS Cavity Slider®** is a practical solution for those areas where there is not enough space for a swinging door. Unlike other pocket systems, the CS Cavity Slider® is structurally robust due to its construction from aluminum extrusions.

This product is supplied as a kitset and is easy to assemble and install. The pocket frame accommodates 1-3/8" and 1-3/4" doors (35mm and 44.5mm) up to 4'0" x 8'0" (1220 x 2438mm) and can be cut down to size on site.

The CS Cavity Slider® is suitable for residential and commercial projects as it meets Type 1 construction code without any combustible materials. In addition to its space saving attributes in restrooms, hallways and laundries, it can be used with confidence for architectural feature openings around your project.

 **COMPATIBLE WITH:**
SofStop® Soft Close / Soft Open



CS Cavity Slider™ kitset box.



CavitySlider® Ultimate Pocket Frame

The **CS Cavity Slider® Ultimate** is the gold standard for pocket frames. It is the largest and most robust manufactured pocket frame on the market. It is constructed from aluminum extrusions to ensure structural integrity.

This product is supplied as a kitset and is easy to assemble and install. The pocket frame can accommodate 1 3/8" to 2 1/4" thick doors up to 5'0" x 10'0" (1524 x 3048mm) in size and can be cut down on site.

The CS Cavity Slider® Ultimate is made to suit a 5-1/2" stud size but can be furred out to suit wider wall conditions. The CS Ultimate is suitable for residential and commercial projects as it meets Type 1 construction code without any combustible materials.

 **COMPATIBLE WITH:**
SofStop® Soft Close / Soft Open



CS Cavity Slider™ Ultimate kitset box.

CavitySlider™ Features



Smooth running carriages with encased ball bearings. Up to 500lb (240kg) capacity

SofStop®
Soft Close/Soft Open also available



Corner joining brackets ensure precise right angled assembly



2x4



2x6

Extruded aluminum track incorporated into head unit



T-joining brackets for easy assembly of slats to split jambs & back stud

Horizontal slats for added strength

Split Jambs and slats use hollow core technology for superior rigidity

Door Thickness
1-3/8" to 1-3/4"
2x4 Stud
1-3/8" to 2-1/4"
2x6 Stud

Strong aluminum frame complies with Type 1 Construction



Trim Clips for quick & easy trim fitting

Compatible with 2x4 and 2x6 stud sizes

Bottom plate assembly



Adjustable T-Guide

Patent Pending



Cycle tested 1 million openings



ADA compliant



Available with SofStop®



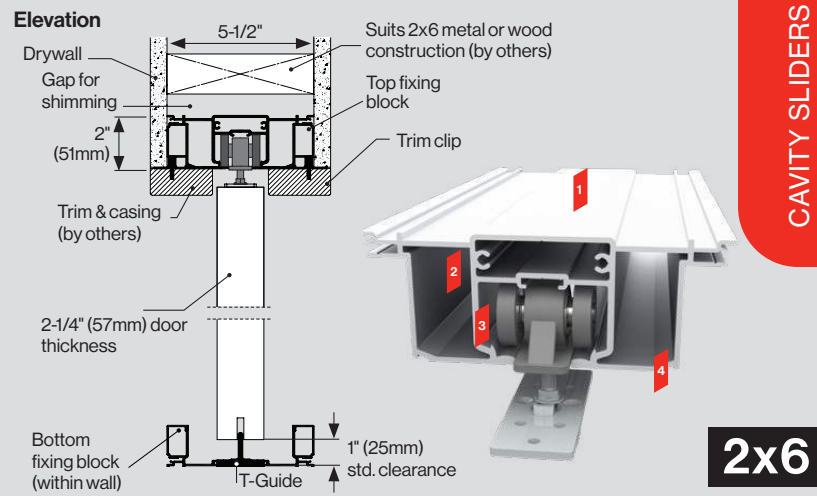
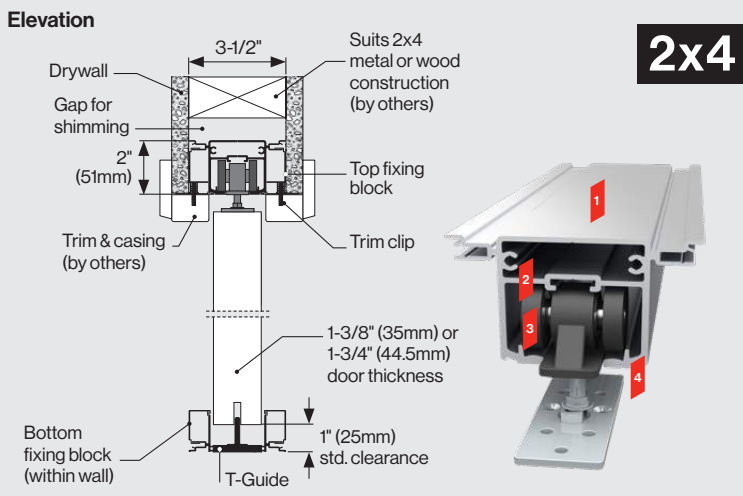
Single or Bi-Parting units



Maximum door weight

Instructions/
Instrucciones





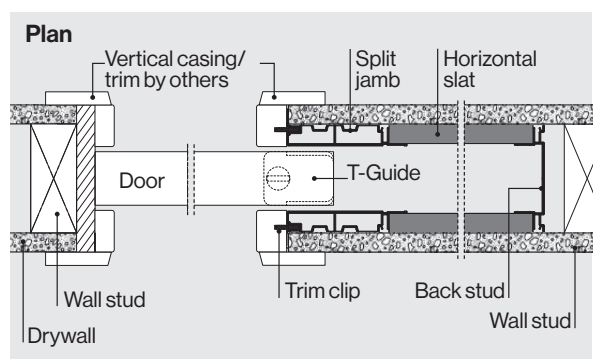
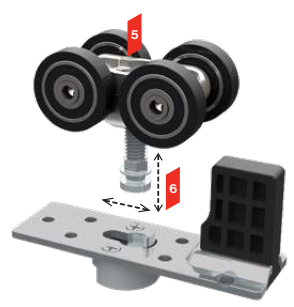
CavitySlider™ Pocket Frame

CavitySlider™ Ultimate Pocket Frame

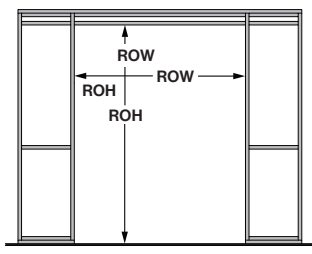
Standard CS Track Features

Our engineers focus on constantly developing new products and refining existing ones. That's why our products come with a number of unique features:

- 1 Heavy duty one-piece extruded aluminum track.
- 2 Minimal clearance means the carriages/wheels cannot jump off the track or jam.
- 3 Large diameter wheels with precision ground bearings make for smooth running.
- 4 Radiused track reduces friction and allows dust to be pushed into the gutters so the door always slides smoothly.
- 5 M8 body made from cast stainless steel for strength and reliability. 4-wheel carriages are standard on all doors over 200lb.
- 6 CarriSnap™ quick release system allows the door to be removed easily from the track; no need to unscrew anything and lose door height adjustment.



Rough Opening



DH = Door Height
DW = Door Width

Dimension	Calculation
RO height	DH + 4 1/4"
RO width - Single	(DW x 2) + 2"
RO width - Bi-Parting	(DW x 4) + 2"

1. **Choose Size:** Frames can be cut down on site. Maximum size for each model shown below:

How to Order

	Model	Max Door Size	
2x4 Stud	CSS4K3068	3'0" x 6'8"	914 x 2032mm
	CSS4K3080	3'0" x 8'0"	914 x 2438mm
	CSS4K4080	4'0" x 8'0"	1219 x 2438mm
2x6 Stud	CSU6K2680	2'6" x 8'0"	762 x 2438mm
	CSU6K3080	3'0" x 8'0"	914 x 2438mm
	CSU6K4080	4'0" x 8'0"	1219 x 2438mm
	CSU6K3090	3'0" x 9'0"	914 x 2743mm
	CSU6K4090	4'0" x 9'0"	1219 x 2743mm
	CSU6K30100	3'0" x 10'0"	914 x 3048mm
	CSU6K40100	4'0" x 10'0"	1219 x 3048mm
	CSU6K50100	5'0" x 10'0"	1524 x 3048mm

2. **Choose a carriage pack** (one per door) (includes carriages, mounting plates, T-Guide, fixing screws and adjusting wrench)
Packs are available with 0, 1 or 2 track stops.

Standard	M6 (200lb/90kg)	
	M8 (500lb/240kg)	
CS SofStop	Minimum Door Width	
	No Stop	1 Stop
200lb 0 - 200 lb (90kg)	23" (584mm)	26" (660mm)
CS SofStop HD	Minimum Door Width	
	No Stop	1 Stop
350lb 0 - 350 lb (160kg)	26" (660mm)	29" (737mm)