

KEY TABLET DEDUSTER MODEL TD101-WD

FOR REMOVAL OF EXCESS DUST ON PRESSED TABLETS



Designed with the operator in mind, this deduster unit is completely wash down which reduces the down between cleanings. Unit is constructed of mirror polished, 304 stainless steel with adjustable base, variable speed vibrator and an adjustable inlet funnel, along with wash down motor and controls. The units are made in the U.S.A., and are generally in stock and supported by “off the shelf” replacement parts.

OPTIONS

- Stainless Steel magnetic discharge chute
- Vacuum control valve

FEATURES

- Vibrator and controls are built to NEMA, wash down specifications
- All mirror polished *Stainless Steel* contact parts as well as *Stainless Steel* exterior covers
- Adjustable tilt feature, which when set in relation to vibration intensity, determines speed of tablets
- GMP designs and construction
- Quick disconnect clear Lexan® top cover
- *Stainless Steel* support column
- *Stainless Steel* vacuum nozzle for dust control
- 5 leg polished aluminum base with locking casters

TECHNICAL SERVICE

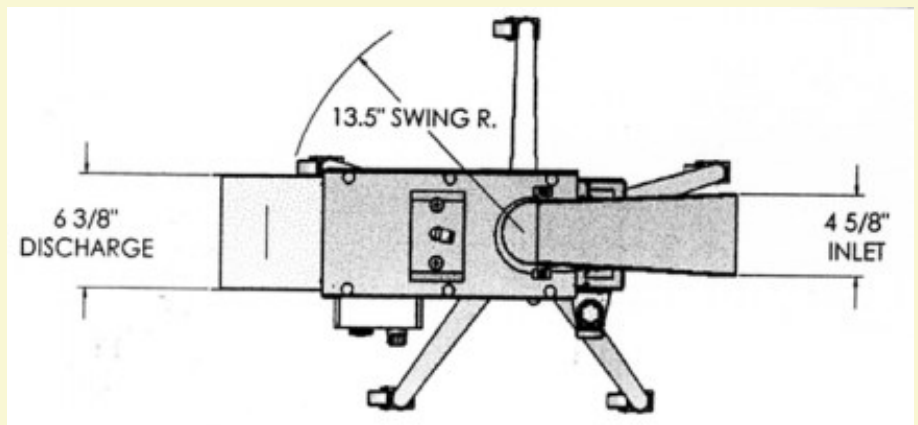
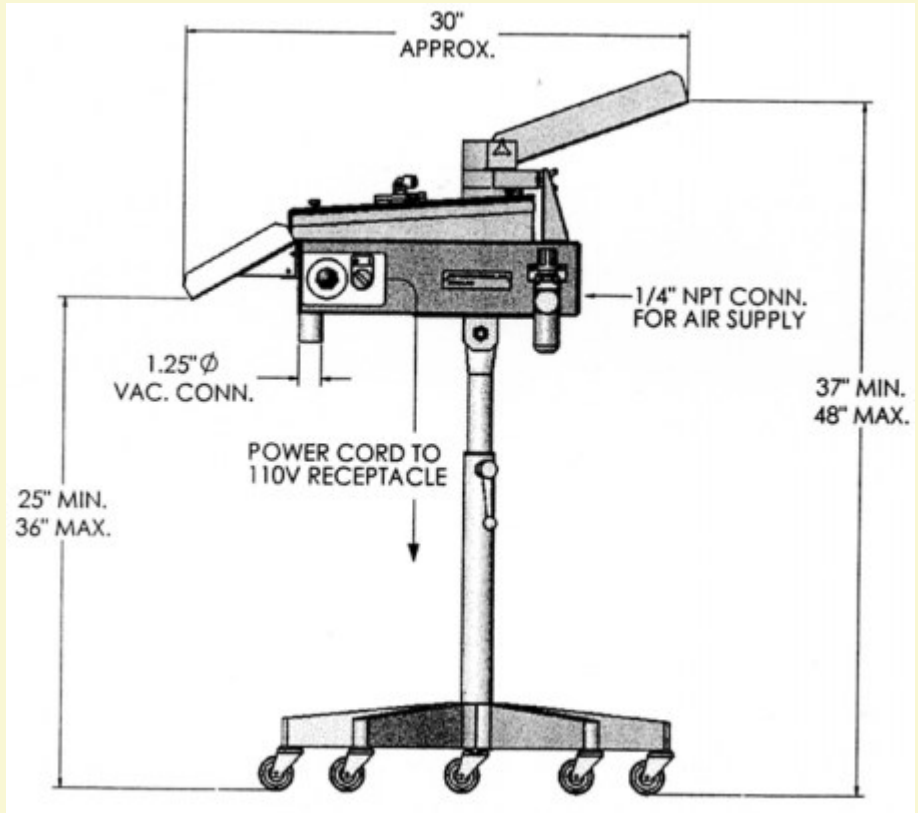
A Key International technical engineering staff is available for on-site servicing when required. Unit can also be returned to Cranbury, New Jersey factory for prompt service.

KEY TABLET DEDUSTER MODEL TD101-WD

FOR REMOVAL OF EXCESS DUST ON PRESSED TABLETS

SPECIFICATIONS

- **Electrical:**
110 VOLT, 1 PH, 60HZ
- **Air:**
1 to 2 C.F.M. (.03 to .06 C.M.M.)
- **Vacuum:**
20 to 30 C.F.M. (.6 to .9 C.M.M.)
- **Net Weight:**
36 LBS (16.3KG)
- **Shipping Weight:**
50 LBS (22.7 KG)
- **Product Contact Parts:**
304 ST. STL



LOOK TO KEY INTERNATIONAL FOR:

PROCESSING EQUIPMENT: Capsule Checkweighers - Capsule Fillers - Capsule Polishers - High Shear Mixers & Granulators - Homogenizers - Metal Detectors - Rotary Tablet Presses - Tablet & Capsule Inspection - Tablet Coaters - Tablet Dedusters - Tablet Friability Testers - Tablet Hardness Testers - CORA Butterfly Valves

PACKAGING EQUIPMENT: Blister Packaging - Bottle Cappers - Bottle Fillers - Bottle Inserters - Bottle Unscramblers - Cartoners - Form/Fill/Seal Pouch Fillers - Single Dose Pre-formed Plastic Shells - Stick Pack Packaging - Suppository Systems - Tablet & Capsule Counters - Tube Fillers - Key-Lon & Key-Lube

8/2015