

August 2019

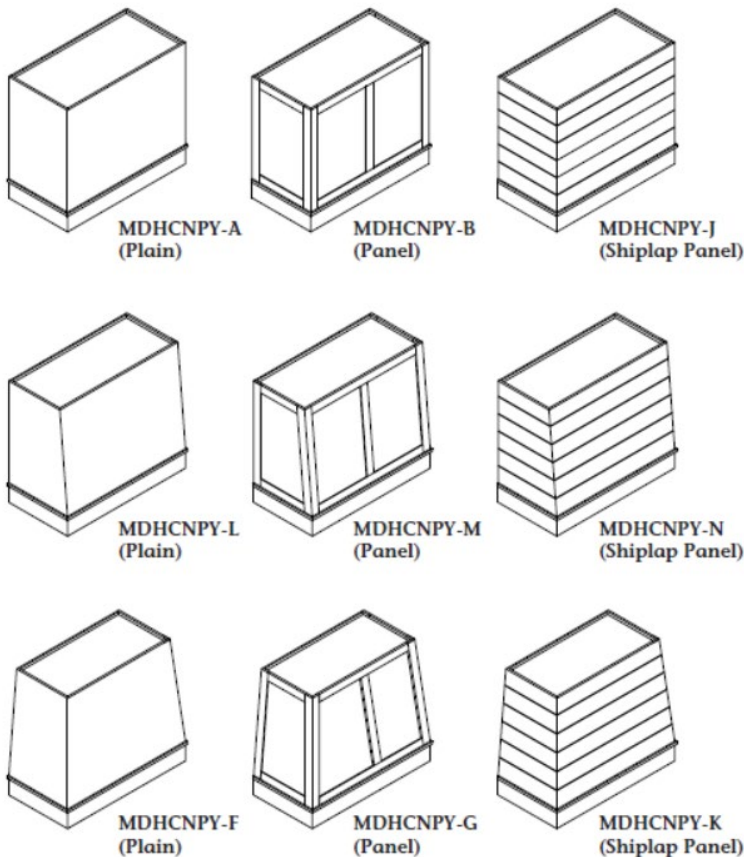
RE: NEW PRODUCTS FROM DURA!



Dear Dura Supreme Dealer,

We are pleased to introduce several new and exciting products for your Crestwood and Bria cabinetry designs. **Available for orders on or after August 26, 2019!**

NEW MODERN HOODS! – Trends continue to evolve with Transitional styles and Modern designs taking center stage. New Modern Hoods from Dura Supreme are sleek and simple with optional canopy shapes available (Plain, Paneled or with Shiplap Panel), with two Frieze options (straight or arched). Vent-A-Hood liner and blower included. See Section #20700.



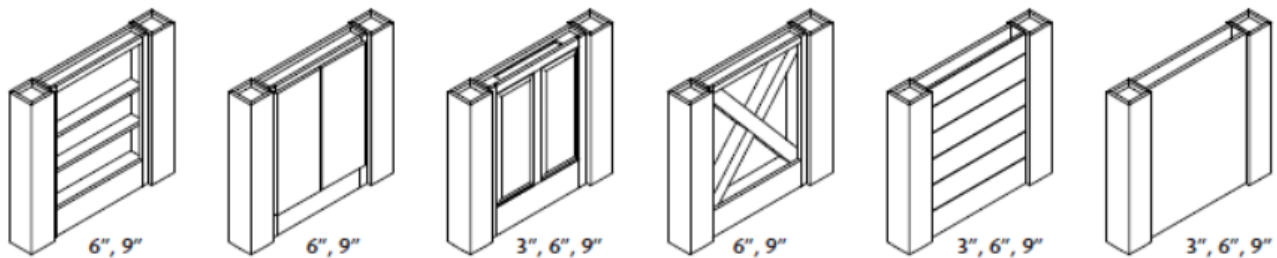
In addition, Shiplap Panel is now available as a Canopy option for all Dura Supreme Wood Hoods (ICHOOD, IHOOD, IPHOOD, MHOOD).

- **NEW SHIPLAP PANEL!**

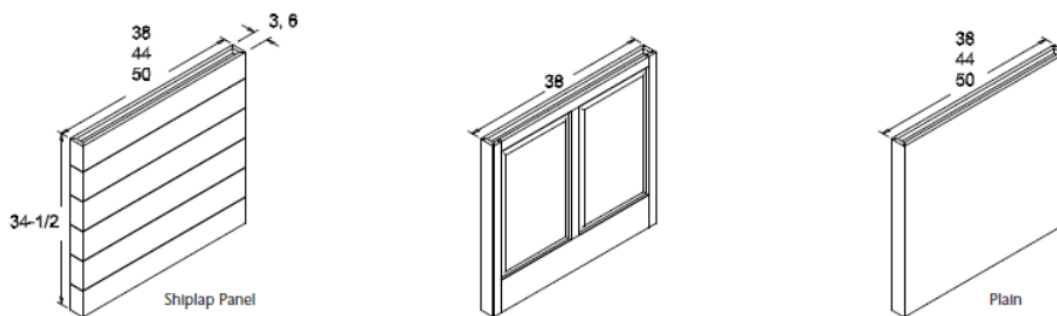
- Shiplap Panel is a popular design element and in addition to our Shiplap Molding (individual lengths of molding), Dura Supreme now offers ¼", ½" and ¾" thick Shiplap Panels up to 48" x 96". See section #90850.

NEW ISLAND END CAPS! – A variety of Island End treatments are now available to simplify the design and ordering of popular island designs. See Section #32955, #32970, #32975.

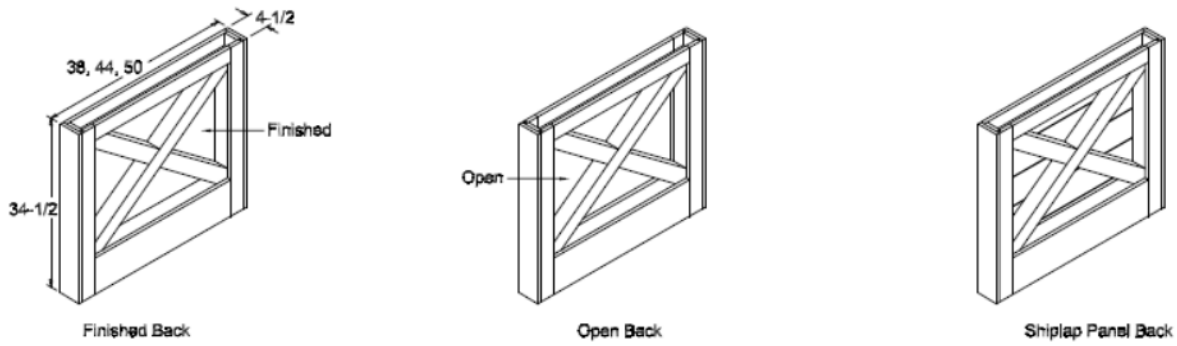
- Island Column Assemblies are available with optional Column designs, and optional End Treatments (open shelves, shallow cabinet, decorative panel, "X" design, shiplap panel or plain). Completely assembled from the factory to make installation, design and ordering simple. Available for Peninsula or Knee Space applications.



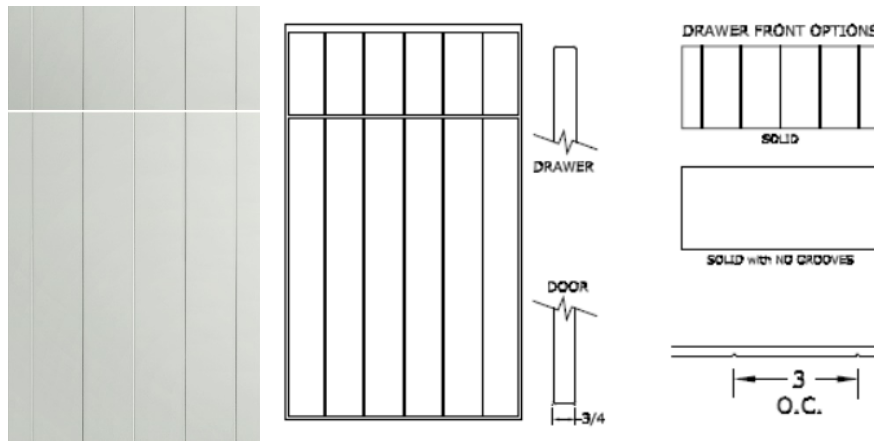
- Island Box End Caps are available 3" or 6" wide, with a Plain, Shiplap or Decorative face. Mitered finished ends are included. Finished on all four sides to be used with Peninsula or Knee Space island designs.



- Island "X" End Caps include the popular "X" motif and are finished on all four surfaces for Peninsula or Knee Space island designs.



NEW LINEA DOOR STYLE!



- Our new LINEA door style is available in Paintable HDF for painted finishes only. Grooves are 3" spacing and designed to align between doors and drawer fronts of equal size. Available in Price Group 1.

NEW INTEGRATED PULLS & TOUCH LATCH OPTION

- Two new Integrated Pulls are available for contemporary and transitional designs. Available with a brushed Aluminum finish, both pulls replace the need for field applied hardware and can be specified for any door style with a "square" edge profile, #6, #9 or #16. See Section #70809, #70811.

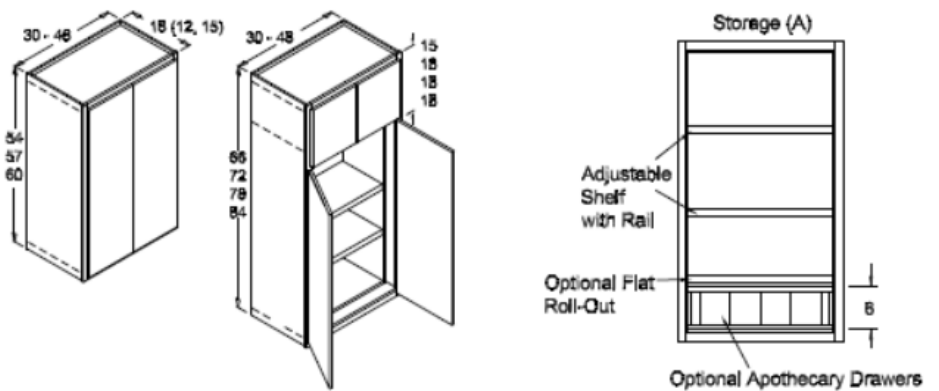


- Touch Latch is a modification now available for doors. (Instead of field-applied knob or pull hardware.) For Full Overlay doors and Bria, the touch-latch is routed into the frame. For Inset Cabinetry, the touch-latch (with magnet) is mounted to the floor or ceiling. See Section #70813.

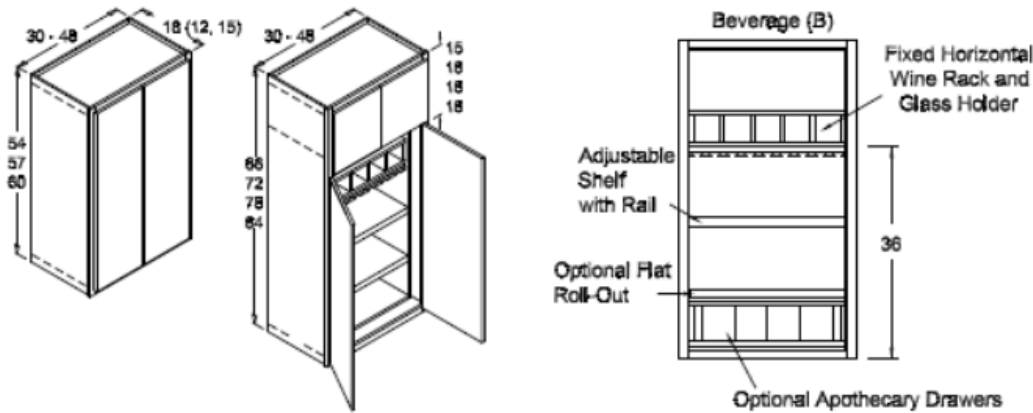
NEW LARDER CABINETS! – New Larder Cabinetry is now available from Dura Supreme.

These highly functional cabinets are designed with different internal storage features to keep most countertop clutter items behind beautiful cabinet doors. Specialized internal options include a Storage Center, Beverage Center and Baking Center with optional organizational features (apothecary drawers and a flat Roll-Out Shelf). See Section #10807, #10809, #10811.

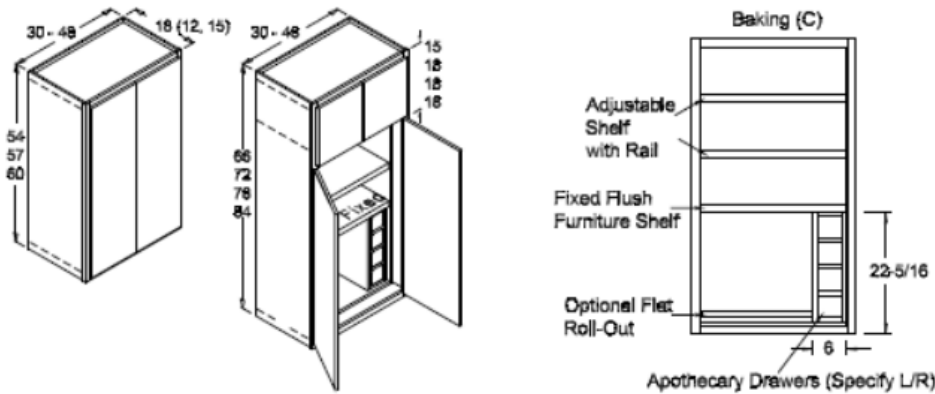
- Storage Center:



- Beverage Center:



○ Baking Center:

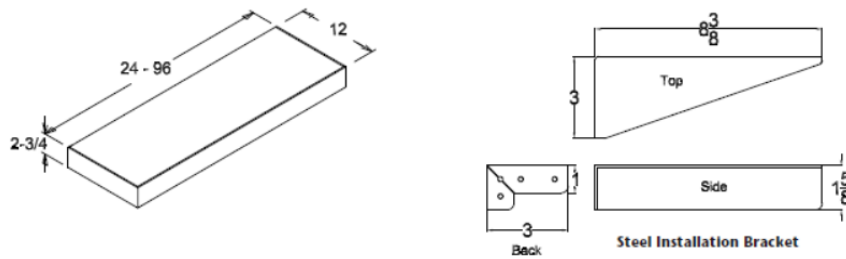


NEW “PASS THROUGH” TALL CABINETS (Walk-In Pantry) for Crestwood! – Designed to coordinate within adjacent Tall Cabinetry, the Pass Through Tall Cabinet is designed as a walk-in pantry cabinet. Cabinet does not have a floor or toe notch, and includes a ½” reveal below the doors. The lower section has a finished interior as standard. See Section #40052.

NEW PLYWOOD CASE OPTION FOR ALPINE (LAMINATE) DOOR STYLE IN BRIA! – The Alpine (Laminate) door style is now available with a Plywood Case (in addition to Furniture Board). The back of the door coordinates with the cabinet interior. (Furniture Board has a white interior and white back of door, Plywood has a natural Maple interior and back of door.)

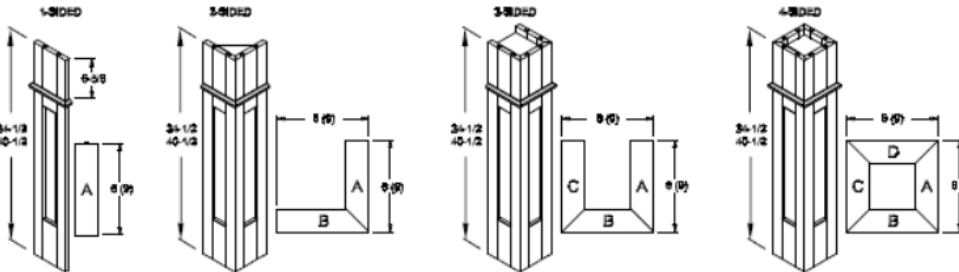
ADDITIONAL PRODUCT UPDATES

- Glass Doors: Frame and Glass doors and Prepare Door for Glass modifications will now include a clear, vinyl retaining strip to secure the glass. This is an attractive and improved method of securing glass and accommodates glass thickness up to 9/64”.
- New Floating Shelf design now includes a metal bracket for ease of installation. See section #83375.



- New Decorative Column Style C.

Decorative Columns - Style "C"



- Refrigerator Door Panels have been reconfigured for ease of ordering and specification. See Section #90501, #90502, #90503.
- Paint finishes now available for Oak and Quarter Sawn Red Oak
- Personal Paint Match program now includes Benjamin Moore colors in addition to Sherwin Williams colors.
- The Curated Color Collection has been updated to include 6 Trending Colors: CyberSpace, Gale Force, Software, Rock Bottom, Cast Iron and Silverstrand. Color chips are available.

With the introduction of new products, we will say good-bye to a few products that are ready for retirement. Be sure to update your showroom sample sets with any affected door styles. Discontinued doors and products will no longer be available for orders after December 1, 2019.

- Valencia Classic, Valencia Panel, Sonoma Door Styles
- Microwave Diagonal Corner Cabinet, Section #10770
- Desk Organizer, Pigeon Hole Cabinet, Wall Plate Display, Sections #10850, 10900, 10935, 10940, 10945
- What Not Shelf, Wall Shelf, Sections #11300, 11750
- Range Hood, Section #20020
- Hood Frieze Options: Frieze C, F, G1, G4
- Sink Recessed Doors, Bow Front Sink, Square Corner Sink, Sections #30280, 30310, 30475
- Diagonal 4 Drawer, Base Pantry, Wicker Basket, Sections #30705, 30860, 30920, 32660
- Half Round Bases, Sections #31560, 31800
- Island Tables, Sections #33000, 33030, 33050, 33100
- Deluxe Drawer Organizer, Two Tiered Sink Organizer, Sections #32017, 32410,

- Utility Pantry, Quarter Round Tall End, Tall End Shelf, Tall Diagonal End Shelf, Sections #40060, 40200, 40300, 40400
- Vanity Towel Bar, Furniture Vanity Linen Cabinets, Sections #51070, 51640, 51645, 51650, 51655, 51660, 51665, 51670, 51675, 51680
- Bookcase Valances Style F, J, K, G1, G4, Section #61905
- Wall Bookcase Drawers, Mirrored Hall Tree, Sections #62050, 62880, 62890
- Entertainment Units, Sections #62920, 62940, 62950, 62960, 62980
- Mantel B with Frieze D, Mantel C, Sections #63010, 63020
- Rattan Inserts, Section #70810
- Convert to Wine Rack Shelf, Wire Chase Scooped Shelf, Sections #71510, 71600
- Foil Crown and Cove Moldings, Sections #80642, 80644
- Valance Styles F, J, K, G1, G4, Section #82250
- Pilaster C, Pilaster Fillers, Pilaster End Panels, Turned Post Fillers, Sections #82500, 90314, 90316, 90318, 90324, 90328

This update contains a single set of updates for your Crestwood and Bria catalogs. Please use the attached order form to order the appropriate number of updates and samples for your showroom. Software updates for 20-20 and Pro-Kitchen are available and ready for download from our website on August 26, 2019.

Your Dura Supreme Sales Representative will be contacting you to schedule training with your sales and design group to introduce these exciting new products from Dura Supreme! If you have any questions, our Customer Service Team looks forward to hearing from you!

Sincerely,

Dura Supreme Cabinetry Team