



Slab & Metal Door Styles

Page	Door Style Name	Price Group	Edge Profile	Page	Door Style Name	Price Group	Edge Profile
3-6	Alpine (Laminate)	1	#9	3-28	Moderne - H ("Exotic" Veneer) ¹	9	#21
	Aluminum Frame Doors	See Pages 3-50 - 3-51		3-28	Moderne - V ("Exotic" Veneer) ¹	9	#21
3-8	Ava - 2T (Acrylic w/2-tone edgeband) ¹	8	#9	3-30	Moxie - H (Veneer)	5	#21
3-8	Ava (Acrylic)1	7	#9	3-30	Moxie - V (Veneer)	5	#21
3-11	Camden (Solid Wood)	4	#6	3-31	Naples (Satin Foil)	3	#14
3-14	Chroma (Painted HDF) 2	1	#6	3-34	Soho - H (Gloss Foil)1	6	#6
3-20	Icon - H (Textured Foil)1	5	#14	3-34	Soho - V (Gloss Foil)1	5	#6
3-20	Icon - V (Textured Foil)1	4	#14	3-35	Sonata (Satin Foil)	3	#16
3-23	Linea (Painted HDF) 2	1	#6	3-36	Talia - H (Wired Foil)1	8	#9
3-25	Metro - H ("Exotic" Veneer)1	9	#9	3-37	Talia - V (Wired Foil)1	7	#9
3-26	Metro - V ("Exotic" Veneer)1	9	#9	3-37	Tribeca (Gloss Foil)1	5	#6
3-27	Moda - H (Veneer)	5	#9	3-38	Urbana - H (Textured Foil)1	5	#6
3-27	Moda - V (Veneer)	5	#9	3-38	Urbana - V (Textured Foil)1	4	#6

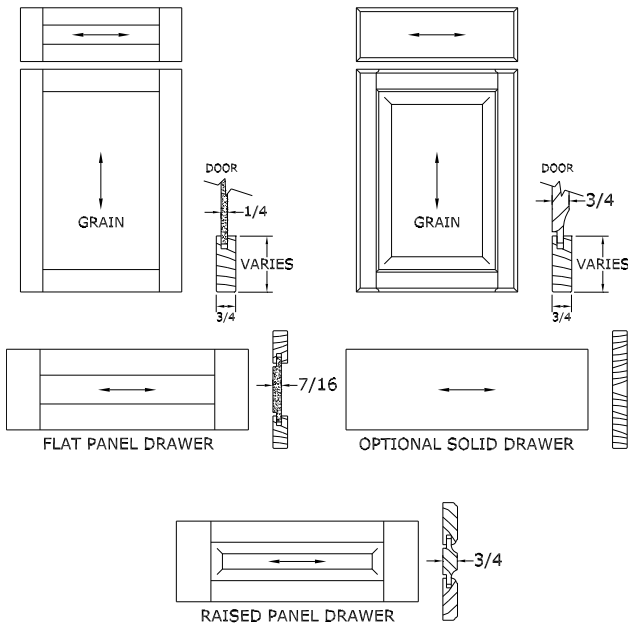
- H These door styles have a horizontal grain.
- V These door styles have a vertical grain.

1. These door styles are available with Furniture Board construction **only**.
2. Chroma and Linea door styles are available in Paintable HDF **only**.

3. Through June 30, 2020 the Hudson and the Carson door styles are available at Promotional Pricing. Specify "Hudson Promo" or "Carson Promo" door style.

NOTE: Wood species, finish, gloss and/or horizontal upcharges may apply where applicable. See individual door style description.

WOOD DOOR & DRAWER FRONTS GENERAL INFORMATION



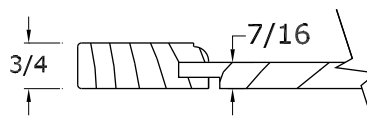
- Raised panels are solid wood with vertical grain in doors and horizontal grain in drawer fronts. **Exception:** Paint finishes have a superior-grade HDF panel.
- Flat (recessed) panels are veneered panels with vertical grain in doors and horizontal grain in drawer fronts. **Exceptions:** Paint finishes have a superior-grade HDF panel. Knotty Alder and Rustic Hickory are available with "Panel Plus" inserts only (solid wood). Knotty Alder and Rustic Hickory flat panel doors must be priced with "Panel Plus" inserts.
- Each door style is manufactured with a specific drawer front unless an optional drawer front is clearly specified on your Order Cover Sheet. See individual door descriptions for available drawer front options.
- Minimum and maximum sizes are indicated for each door and drawer front. **Stiles and/or rails may be reduced to achieve minimum sizes while maintaining the raised or flat panel for that door style. Raised panel doors/drawer fronts below the minimum size will have a flat panel. Doors/drawer fronts that are too small for a flat panel will be a slab. See individual door descriptions for sizing limitations.**

OUTER EDGE PROFILE:

- Each door style is manufactured with a specific outer edge profile. Optional outer edge profiles are available for an upcharge.

"PANEL PLUS" INSERT OPTION

- Flat panel door styles standardly include a 1/4" thick, veneered insert panel. A 7/16" solid wood panel is available as an option for all wood species except "Paintable" ("Paintable Panel Plus" is 7/16" superior-grade HDF). Specify "Panel Plus" on your Order Cover Sheet and use the appropriate Price Group.
- When "Panel Plus" is specified, the insert becomes 7/16" solid wood (7/16 superior-grade HDF for "Paintable").



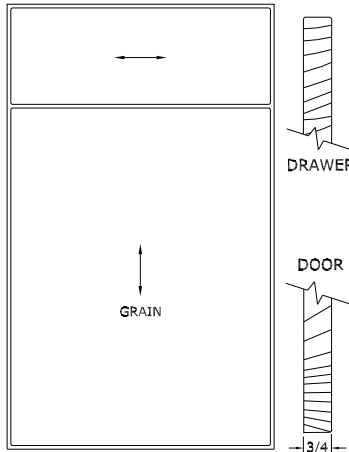
Vertical grain doors
Horizontal grain drawers

NOTE: Panel Plus is required for flat panel doors when a "Weathered" finish is selected.

NOTE: Knotty Alder and Rustic Hickory are only available with Panel Plus (Panel Plus price group applies.)



Camden (Solid Wood) - 00630



DRAWER FRONT OPTIONS



SOLID

Species Available:

- Cherry
- Hickory
- Knotty Alder
- Maple
- QSRO
- Red Oak
- Rustic Hickory
- Paintable

Price Group **4**

Edge Profile
Standard #6
Optional N/A

Door Sizing		
Height	Minimum	Maximum
Door	2"	For loose door sizing, see Section #82850*
Cabinet	N/A	
Width	Minimum	
Door	2"	
Cabinet	N/A	
Option	Available?	
Mullions	Integral ¹	
Decorative Panels	No ²	
Curved Doors	Yes	

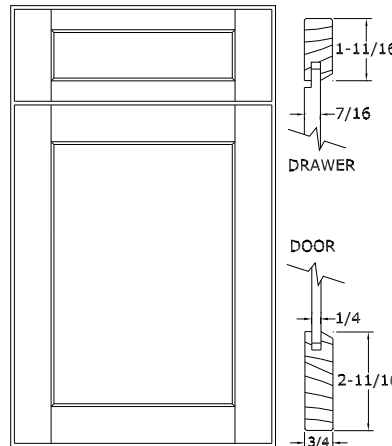
¹Built as a "Homestead" door when mullions are specified.

²See Modifications section for other "End" options, or see section 90660 for Doors Applied to Panel.

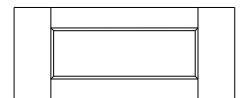
Special Considerations:

- When cut-out for glass, mullions or speaker cloth are specified, a Homestead Panel door is supplied with a #6 edge profile.
- For a Paintable slab door see "Chroma".
- Maximum** single door height is 64". Doors over 64" will be split into two doors and pinned together.
- Warranty:** Because this door is a solid wood "Slab" construction, proper humidity levels must be maintained at all times to avoid expansion or warpage. See "Moda" or "Moxie" for a veneer slab door.

Carson - 00645



DRAWER FRONT OPTIONS



5-PIECE (STANDARD)



SOLID

Carson Promotional Pricing

Species Available:

- Cherry
- Hickory
- Knotty Alder
- Maple
- QSRO
- Red Oak
- Rustic Hickory
- Paintable

Price Group **4**

Panel Plus **6***

*For Knotty Alder or Rustic Hickory choose Panel Plus

Edge Profile
Standard #6
Optional #1, 2, 10, 17, 22

Door Sizing		
Height	Minimum	Maximum
Door	3-7/8"	For loose door sizing, see Section #82850*
Cabinet	4-1/16"	
Width	Minimum	
Door	4-3/4"	
Cabinet	4-15/16"	
Option	Available?	
Mullions	Integral	
Decorative Panels	Yes	
Curved Doors	No	

Stiles or rails may be reduced to achieve minimum size doors.
*Doors below the minimum size are Slab.

*Doors over 48" high have 2 equal height panels.

Carson Promotional Pricing

DRAWER SIZING (5-PIECE)	
BELOW 3-1/4"	
3-1/4" UP TO 4"	
4" UP TO 6-3/4"	
6-3/4" & HIGHER	

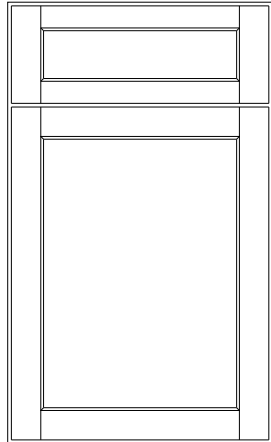
Through June 30, 2020 the Carson door style is available at Promotional Pricing. Specify "Carson Promo" door style

Promotional Pricing

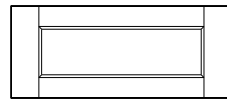
Price Group	2*
Panel Plus	4*
*For Knotty Alder or Rustic Hickory choose Panel Plus	
Edge Profile	
Standard #6	
Optional #1, 2, 10, 17, 22	



Hudson - 00772



DRAWER FRONT OPTIONS



Hudson Promotional Pricing

Species Available:

- Cherry
- QSRO
- Hickory
- Red Oak
- Knotty Alder
- Rustic Hickory
- Maple
- Paintable

Price Group	2*
Panel Plus	4*
*For Knotty Alder or Rustic Hickory choose Panel Plus	
Edge Profile	
Standard #6	
Optional #1, 2, 10, 17, 22	

Door Sizing		
Height	Minimum	Maximum
Door	3-7/8"	For loose door sizing, see Section #82850*
Cabinet	4-1/16"	
Width	Minimum	
Door	4-3/4"	
Cabinet	4-15/16"	

Stiles or rails may be reduced to achieve minimum size doors.
 *Doors below the minimum size are Slab.

Option	Available?
Mullions	Integral
Decorative Panels	Yes
Curved Doors	No

*Doors over 48" high have 2 equal height panels.

Hudson Promotional Pricing

DRAWER SIZING (5-PIECE)	
BELOW 3-1/4	
3-1/4 UP TO 6-3/4	
6-3/4 & HIGHER	 2-3/16

Through June 30, 2020 the Hudson door style is available at Promotional Pricing. Specify "Hudson Promo" door style

Promotional Pricing	
Price Group	1*
Panel Plus	2*
*For Knotty Alder or Rustic Hickory choose Panel Plus	
Edge Profile	
Standard #6	
Optional #1, 2, 10, 17, 22	