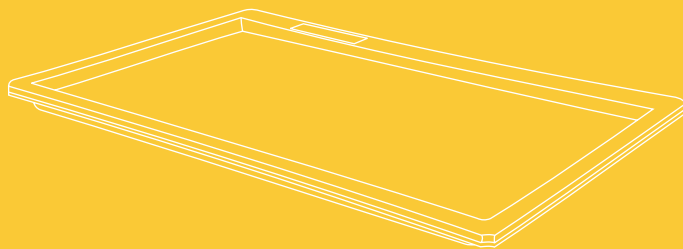


# Instruction Manual



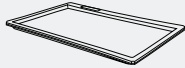
---

insētta™  
BY ASTERISK



**Let's get  
your Insetta  
installed  
and working!**

*Each package includes:*



**1 Insetta panel**



**4 small screws**



**1 jumper connector**



**2 mounting clips**

*Note:* You can connect up to 12 feet/144 inches worth of Insetta to one power source by running a jumper connector from one panel to the next.

*Example:* You have 8 18-inch wide cabinets spanning a space of 12 feet. You can install Insetta panels under each of those cabinets and link them with a jumper connector. But if you added 2 more 18 inch cabinets, you would need to get a separate power supply for those two.

*Also needed:*

### **Drill**

and/or  
Phillips  
screwdriver

### **Power supply**

A power supply is not included with Insetta and should be purchased separately. This power supply can be installed anywhere near the cabinets, or inside the cabinet.

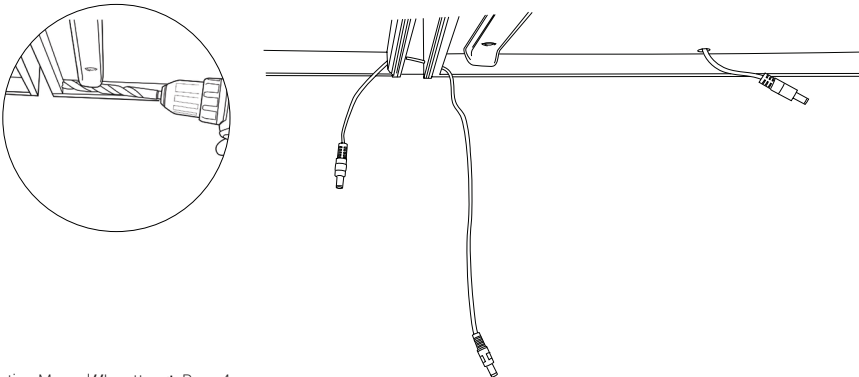
### **Light Rail (optional)**

A small piece of wood that can be attached to the bottom of your cabinet and allow for under-cabinet lighting. A light rail is required only if you have a frameless or euro style cabinet; a cabinet with no narrow ledge of wood extending past the bottom of the cabinet. Contact your kitchen contractor or supplier to purchase a light rail.)

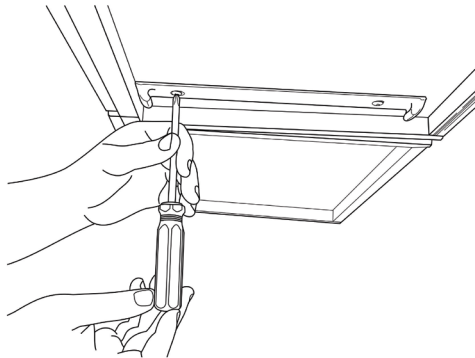
*If only installing 1 Insetta, skip this step*

If installing another Insetta in the adjacent cabinet, drill a 3/8" hole between the two cabinets.

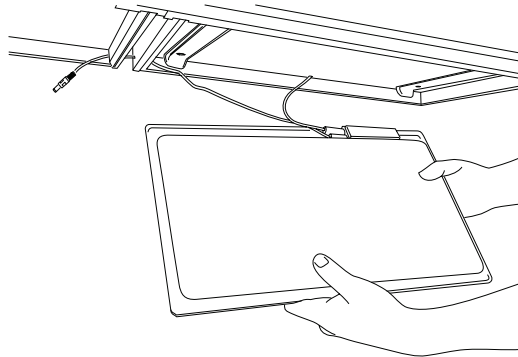
The hole should be on the narrow strip of wood framing the underside of the cabinet, approximately an inch from the back wall. This hole will allow the jumper connector to travel from one Insetta to the other.



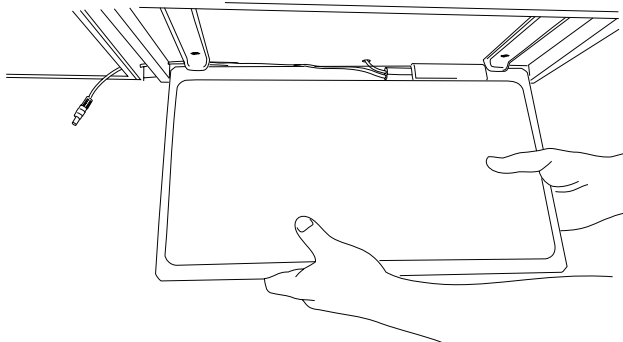
- a. Place the mounting clips into position about one inch from the side of the cabinet, facing back to front. The end of the clips should be butted up against the backside of the cabinet face as shown.
- b. Make sure to keep the clips perfectly aligned with the sides of the cabinet so that the Insetta can fit properly.
- c. Fasten included screws into the cabinet bottom through each hole in the mounting clips. Repeat until all mounting clips are installed.



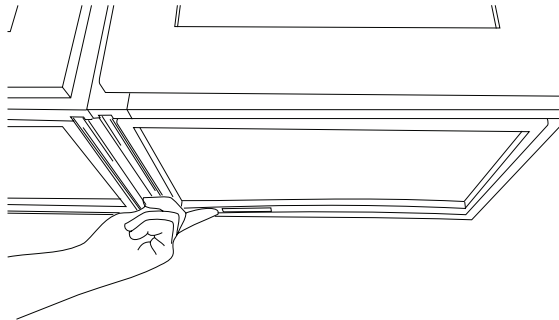
- a. Position the Insetta panel so the electricity connections (power hub) are towards the back of the cabinet, close to the counter backsplash.
- b. Each power hub has two jacks on one side and one jack on the other side. Connect the power supply wire to the two-jack side of the power hub
- c. If connecting two panels - attach the jumper cable to the side of the power hub



- a. Making sure to maintain the electrical connections, carefully position the Insetta panel below the mounting clips.
- b. Insert the panel into the back hooks first, while making sure to prevent the wires from getting pinched. Push the panel upwards, into the clips, until you hear a firm click.
- c. Test each side of the panel to ensure that it's firmly in.



- a. The metal touch plate engraved with the words “Insetta by Asterisk” is the control panel for the light.
  - b. To turn ON/OFF - tap the control panel once
  - c. To BRIGHTEN/DIM the light, hold the control panel for several seconds.
- 

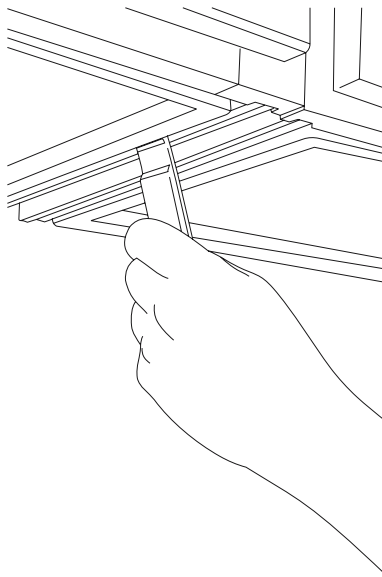




## Removing Insetta

*A removal tool is included in case you ever need to remove Insetta.*

- a.** Slide the notched end of the tool under one edge of Insetta
- b.** Pull out until there is enough of your gap for your fingers to fit in
- c.** Gently but firmly pull downwards until the panel is released from the mounting clips.



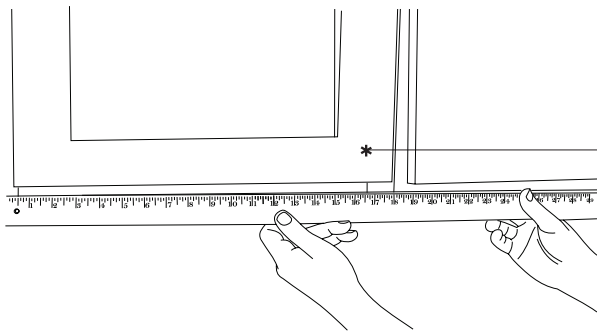
## What if Insetta does not come in the correct size for my cabinet?

In addition to the standard size Insetta panels, a fill size is available as well. *See chart.*

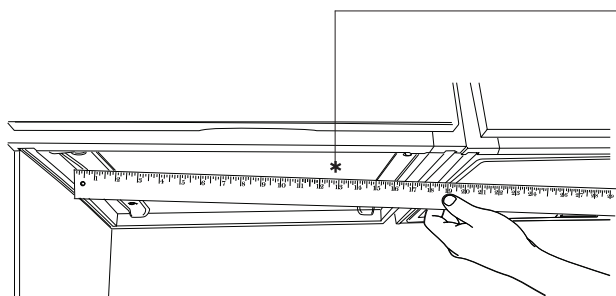
Measure the width of your cabinet and then choose the panel/s that will fit the cabinet spaces.

Cabinet Size	Cavity Width	Model No.
9 in.	7.25 in.	#9
12 in.	10.25 in.	#12
15 in.	13.25 in.	#15
18 in.	16.25 in.	#18
21 in.	19.25 in.	#21
24 in.	22.25 in.	#24
27 in.	25.25 in.	#27
30 in.	28.25 in.	#30
33 in.	31.25 in.	#15 + #add-in (18in)
36 in.	34.25 in.	#18 + #add-in (18in)
39 in.	37.25 in.	#21 + #add-in (18in)
42 in.	40.25 in.	#24 + #add-in (18in)
45 in.	43.25 in.	#27 + #add-in (18in)
48 in.	46.25 in.	#30 + #add-in (18in)
corner	21.25x21.25	#corner

Example:

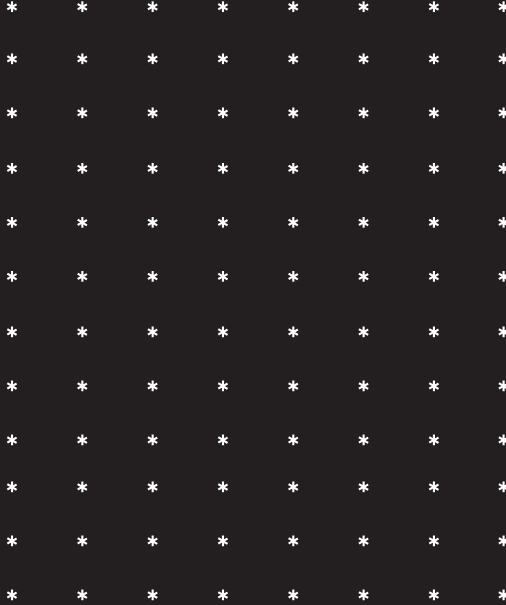


This is  
an 18"  
cabinet



with a cavity  
width of  
16 1/4 inches

**Insetta  
Model #18**  
should be  
purchased



**\* There's more to see**

info@asterisklighting.com

P 732.747.4353

WWW.ASTERISKLIGHTING.COM

544 PARK AVE, #209

BROOKLYN, NY 11205

**Lighting that's crafted for cabinetry**

