



 **Work Smarter, Not Harder** 

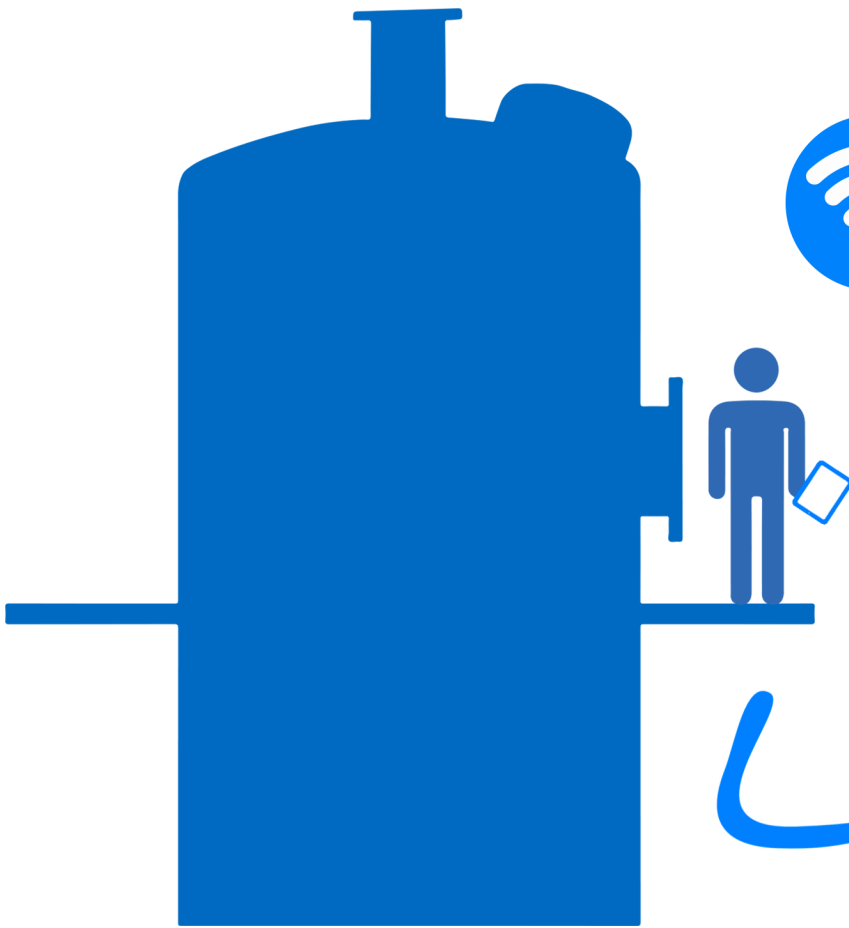
# the 3A

Confined Entry Smart Indexing System  
(patented)



[WWW.TERYDON.COM](http://WWW.TERYDON.COM)



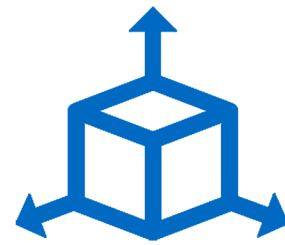


By applying the 3A to a confined entry cleaning application, the end-user can clean 100% of the tubes while being removed from the hazardous working conditions.



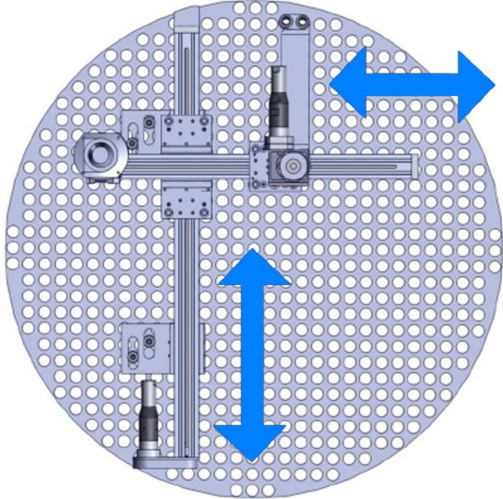
## Features

- Removes end-user from within the confined-entry bundle for complete operation from the outside.
- Smart Indexing provides accurate navigation from tube to tube with a single click of a button.
- Pioneered Radial Arm allows Nose Pieces to reach tubes along the walls
- 100% tubes cleaned with one re-location after setup.
- Indexer breaks down into 3 sub-assemblies for portability and easy installation
- Lunch Box integration provides wireless control of complete cleaning process via touch-screen tablet

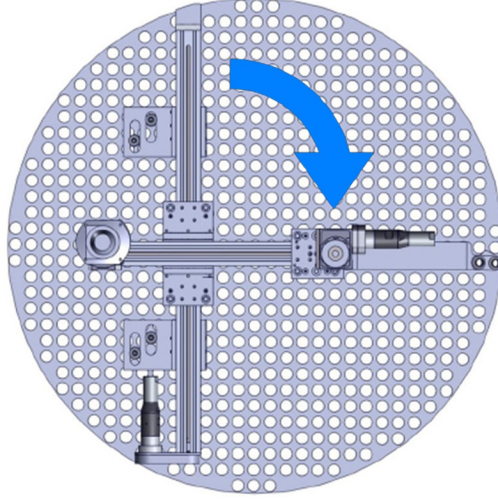
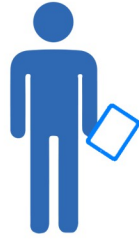


## Specifications

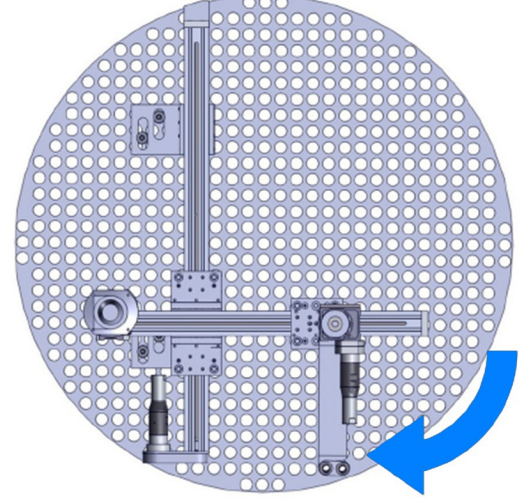
- (1) Screw-Driven Smart Indexer X-Axis Rail
- (1) Screw-Driven Smart Indexer Y-Axis Rail
- (1) LB-4 Lunch Box Wireless Control
- (1) Aluminum Constructed Radial Arm w/ clutch
- (2) Nose Piece Guide Tubes for lance alignment (3 available upon request)
- (2) Umbilicals for hose containment from feeder (3 available upon request)
- (1) 4-piece Expansion Plug Mounting Kit (Kit adaptable from 1.062"-1.951" Tube I.D.)



**STEP 1:** Operator navigates from tube to tube on X/Y Axis to position Nose Pieces along the tube row. Nose Pieces are located towards operator located at the man-way.



**STEP 2:** After cleaning tubes closest to operator, Radial Arm is rotated 90 degrees to position to the side wall. Nose Pieces stay parallel to tube row.



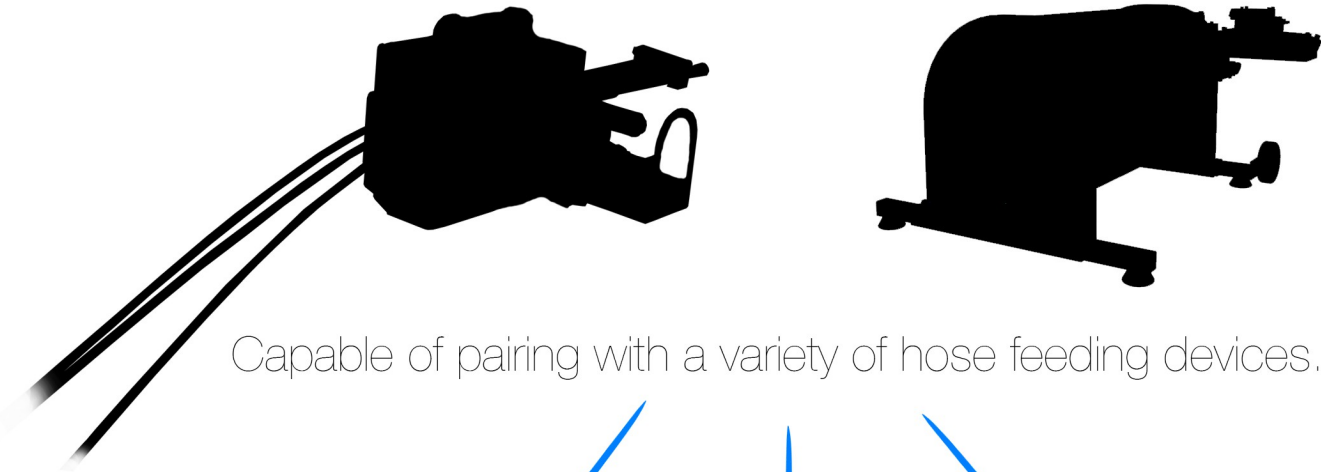
**STEP 3:** After cleaning tubes along wall, Radial Arm is rotated 90 degrees to position farthest from operator. Nose Pieces stay parallel to tube row.



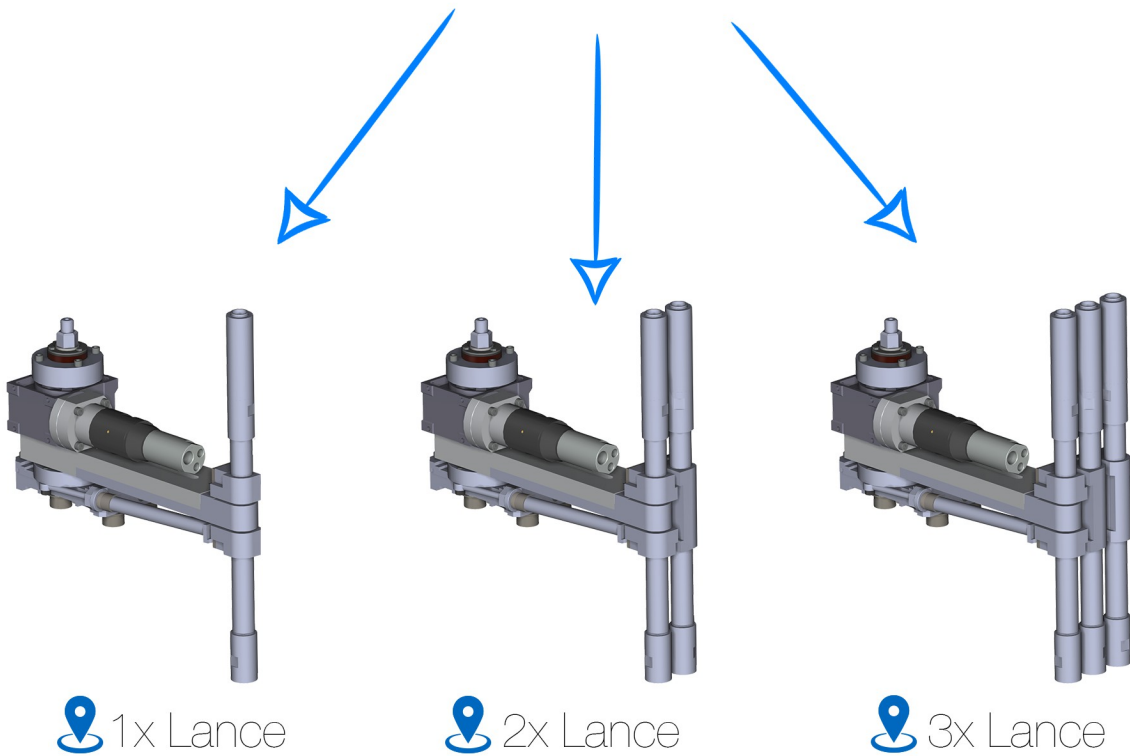
Common during a confined entry clean, steam and debris build-up results in impaired visual line-of-sight for the removed end-user. This leads to accumulated human error when navigating from tube to tube, affecting production.

Smart Indexing allows the end-user to accurately navigate from tube to tube with a single click of a button, regardless of limited vision. This eliminates the need for a camera, which is ineffective within the atmosphere created by steam and debris.





Capable of pairing with a variety of hose feeding devices.



## What Makes It Work:



Smart Indexing is designed by Terydon's Software Development Team to allow the operator to teach a tube bundle pattern in 5 simple steps, in less than one minute!



The wireless technology standard for exchanging data for more than a decade, Bluetooth now allows you to teach and control your Smart Indexer without cords and cables