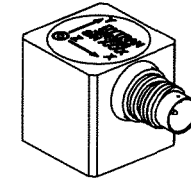
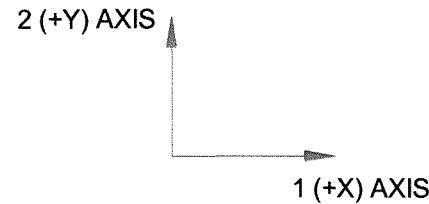
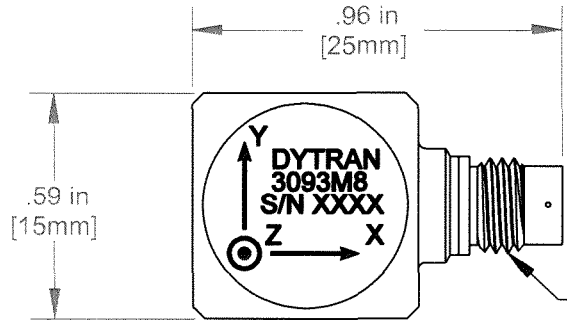


PROPRIETARY AND CONFIDENTIAL

THE INFORMATION CONTAINED IN THIS DRAWING IS THE SOLE PROPERTY OF DYTRAN INSTRUMENTS INC. ANY REPRODUCTION IN PART OR AS A WHOLE WITHOUT THE WRITTEN PERMISSION OF DYTRAN INSTRUMENTS INC. IS PROHIBITED

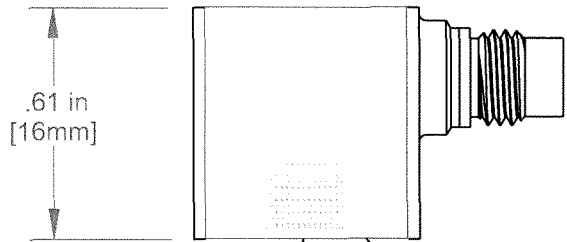
REVISIONS

REV	ECN	DESCRIPTION	BY/DATE	CHK	APPR
A	14385	INITIAL RELEASE. REDRAWN. WEIGHT: IS: 15 GRAMS; WAS: 10 GRAMS	KG 08/02/18	LD	MH

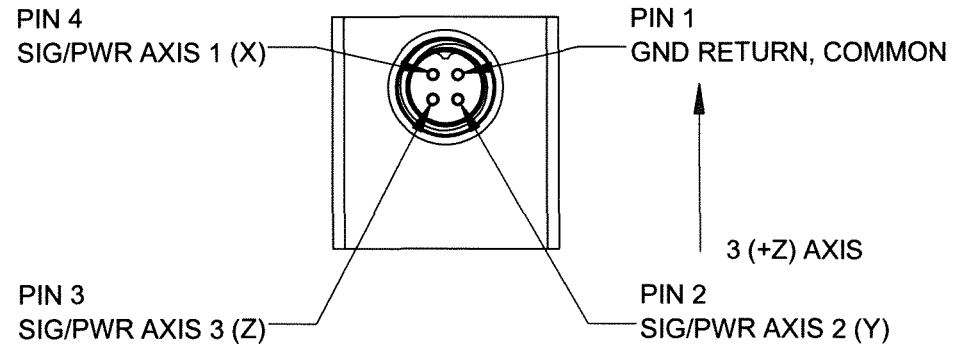


ACTUAL SIZE

CONNECTOR MATES WITH DYTRAN CABLE 6811AXX 3



TAPPED HOLE 10-32 X .150 DEEP — MOUNTING SURFACE



- 5. MOUNTING SCREW (10-32 UNC-2B) MODEL 6200, PROVIDED
- 4. WEIGHT, MAX = 15 GRAMS
- 3 XX = CABLE LENGTH IN FEET
- 2. + SIGNS INDICATE SENSITIVE AXIS AND DIRECTION OF INPUT ACCELERATION FOR POSITIVE GOING OUTPUT SIGNAL.
- 1. HOUSING MATERIAL TITANIUM 6AL-4V

USED ON	NEXT ASSY
APPLICATION	
THIRD ANGLE PROJECTION USA	

UNLESS OTHERWISE SPECIFIED:
 INTERPRET DIM & TOL PER ASME Y14.5M - 1994.
 REMOVE BURRS.
 COUNTERSINK INTERNAL THDS 90° TO MAJOR DIA.
 CHAM EXT THDS 45° TO MINOR DIA.
 THD LENGTHS AND DEPTHS ARE FOR MIN FULL THDS.
 THDS PER MIL-S-7742.
 DIMENSIONS APPLY AFTER FINISHING.
 ALL MACHINED SURFACES.
 TOTAL RUNOUT WITHIN .005.
 BREAK SHARP EDGES .005 TO .010.
 MACHINED FILLET RADII .005 TO .015.
 WELDING SYMBOLS PER AWS A2.4.
 ABBREVIATIONS PER MIL-STD-12.

UNLESS OTHERWISE SPECIFIED:
 DIMENSIONS ARE IN INCHES. DIMENSIONS IN BRACKETS [] ARE IN MILLIMETERS
 TOLERANCES ARE:
 INCHES METRIC ANGLES
 .XX ± .03 .X ± 0.8 ± 1°
 .XXX ± .010 .XX ± 0.25

MATERIAL

FINISH

DO NOT SCALE DRAWING

CONTRACT NO.		
APPROVALS		DATE
ORIG	PC	09/03/04
CHK	RA	09/03/04
APP		
APP		

Chatsworth, CA

MASTER ONLY IF IN RED

TITLE: **OUTLINE/ INSTALLATION DRAWING MODEL 3093M8**

SIZE A	CAGE CODE 2W033	DWG. NO. 127-3093M8	REV A
SCALE: NONE	SOLIDWORKS	SHEET 1 OF 1	

Model Number	PERFORMANCE SPECIFICATION			DOC NO
3093M8	Accelerometer, Triaxial, IEPE			PS3093M8
				REV E, ECN 14385, 08/02/18



- HIGH SENSITIVITY
- HERMETICALLY SEALED
- STUD MOUNTED
- TEDS FEATURE

	ENGLISH		SI	
PHYSICAL				
Weight	0.5	oz	15.0	grams
Mounting Provision	10-32 Stud		10-32 Stud	
Connector [1]	4-pin		4-pin	
Housing	Type	Titanium Alloy	Titanium Alloy	
	Material	Titanium Alloy	Titanium Alloy	
Sensing Element	Isolation	Case Isolated	Case Isolated	
	Material	Ceramic	Ceramic	
	Mode	Shear	Shear	

	ENGLISH		SI	
PERFORMANCE				
Sensitivity, +15/-10% [2]	100	mV/g	10.2	mV/m/s ²
Acceleration Range	50	Gpeak	491	m/s ² peak
Frequency Range, ±10%	2-5000	Hz	2-5000	Hz
Resonance Frequency	> 30	kHz	> 30	kHz
Linearity [3]	1	%F.S.	1	%F.S.
Transverse Sensitivity, Max.	6	%	6	%
Noise floor	0.0007	Grms	0.007	m/s ² rms

	ENGLISH		SI	
ELECTRICAL				
Supply Current Range [4]	2 to 20	mA	2 to 20	mA
Compliance Voltage Range	+18 to +30	VDC	+18 to +30	VDC
Output Impedance, Typ.	100	Ω	100	Ω
Output Bias Voltage	+11 to +13	VDC	+11 to +13	VDC
Discharge Time Constant	0.5 to 1.5	sec	0.5 to 1.5	sec
Electrical Isolation, Min.	10	GΩ	10	GΩ

	ENGLISH		SI	
ENVIRONMENTAL				
Shock Max	7000	g pk	68670	m/s ²
Vibration Max	3000	g pk	29430	m/s ²
Operating Temperature	-60 to +225	°F	-51 to +107	°C
TEDS Operating Temperature	-40 to +185	°F	-40 to +85	°C
Seal	Hermetic		Hermetic	
TEDS Feature	IEEE 1451.4		IEEE 1451.4	

This family also includes:

Model	Sensitivity (mV/g)	Range (Gpeak)	Resolution (Grms)	Oper. Temp(°F)	TC

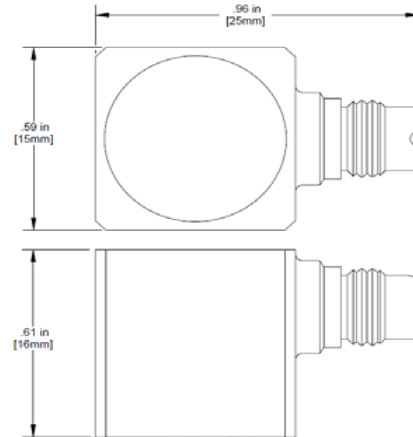
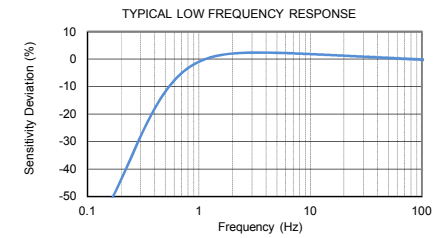
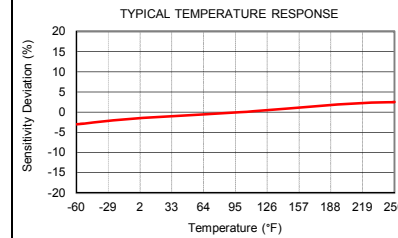
Refer to performance specifications of the products in this family for detailed description.

Supplied Accessories:

- 1) Model 6200 Mounting Screw
- 2) Accredited Calibration Certificate (ISO 17025)

Notes:

- [1] Glass to Metal seal connector. Mates with Dytran cable Model 6811AXX (XX=length in feet)
- [2] Measured At 100 Hz, 1 Grms per ISA RP 37.2
- [3] Linearity is % of specified full scale (or any less full-scale range), zero-based best fit straight line method.
- [4] Do not apply power to this device without current limiting, 20mA Max. To do so will destroy the integral IC amplifier



Units on the line drawing are in inches, units in brackets are in millimeters. Refer to 127-3093M8 for more information.

