

SYLVANIA Luminaires

UltraLED™ 8-10" Quad Downlight

Item #
Type
Project
Notes
Date

Application

The SYLVANIA UltraLED 8-10" Quad downlight luminaire is an eight inch LED recessed downlight kit creating high performing white light which is optimized for new construction and retrofit applications in office spaces, property management, retail, hospitality, and healthcare environments.

Benefits and Features

- Provides excellent color rendering (90 CRI)
- Virtually no UV or infrared radiation
- Lasts up to 3 times longer than CFL pin base lamps
- No warm-up time, instant-on with full light output and stable lamp to lamp color
- Suitable for dry, damp and wet locations
- Up to 80 LPW
- 3000K, 3500K, and 4000K color temperature
- CRI ≥90
- Offered in 25 watts
- Optical design efficiently directs light output in an 80° beam angle with low glare
- Energy savings up to 54%

Electrical

- Designed to operate in the universal (120-277 VAC) voltage range
- Power Factor ≥90%
- THD ≤20%
- 0-10V dimmable
- Sound Rating: <24dBA
- Input Frequency: 60Hz

Rated Life

- 50,000 hours (L₇₀)

Warranty

- 5-year



Wattage Comparison

Traditional Source	Traditional System Wattage	LED System Wattage	Energy Savings
2 x 26W CFL	52	25	48%

Ambient Operating Range

- -4°F to +113°F (-20°C to +45°C)

Certifications and Listings

- cETLus
- ENERGY STAR®
- RoHS
- FCC

Installation


- Installation is done quickly and easily in most standard eight to ten inch frames



Ordering Guide

LED	RT810	/	HO	/	Q	/	2000	/	DIM010	/	9	XX	/	UNV
Product	Application / Size		Output		Shape		Lumens		Dimming		CRI	Color Temp		Voltage
Name	RT810 = suitable for 8-10" retrofits		HO = high output		Q = Quad		2000 = 2000 lumens		DIM010 = 0-10V dimming		CRI = > 90	30 = 3000K 35 = 3500K 40 = 4000K		UNV = 120-277V

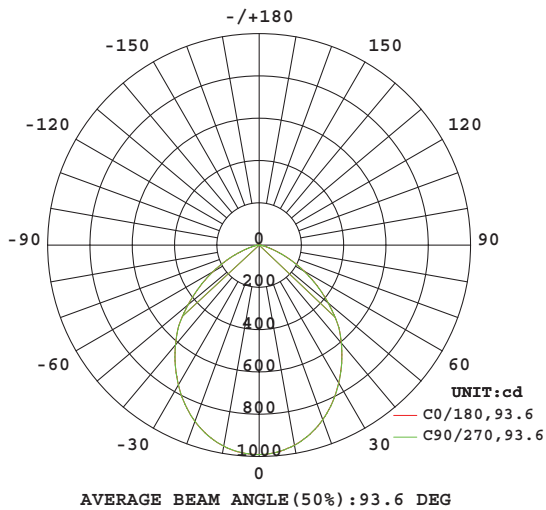
Ordering Information

Item Number	Ordering Abbreviation	Wattage	Input Voltage	Dimming	CRI	Color Temp	Distribution	Total Fixture		ENERGY STAR® Rated	 MTO*
								Lumens	LPW		
40445	LEDRT810/HO/Q/2000/DIM010/930/UNV	25	120-277	0-10V	90	3000K	80°	2000	80	Yes	-
40446	LEDRT810/HO/Q/2000/DIM010/935/UNV	25	120-277	0-10V	90	3500K	80°	2000	80	Yes	MTO
40447	LEDRT810/HO/Q/2000/DIM010/940/UNV	25	120-277	0-10V	90	4000K	80°	2000	80	Yes	MTO

*Made To Order

Photometrics

Luminous Intensity Distribution Diagram



Zonal Lumen Distribution

Zone	Lumens	% Fixture
0-20	355	17
0-30	734	35
0-40	1163	56
0-60	1872	89
0-80	2087	100
0-90	2097	100
0-180	2097	100

Illuminance at a Distance

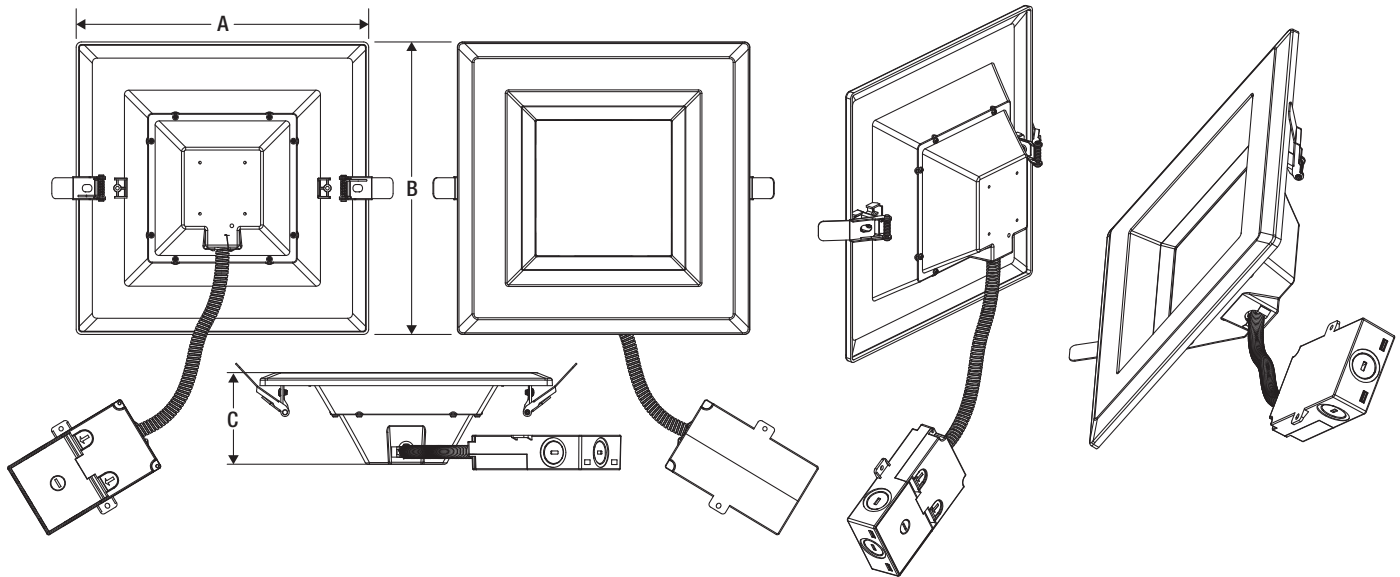
Distance to Illuminated Plane (Feet)	Footcandles Beam Center	Footcandles Beam Edge	Beam Diameter (Feet)
2	39.7	247.6	4.3
4	9.9	61.9	8.5
6	4.4	27.5	12.8
8	2.5	15.5	17
10	1.6	9.9	21.3
12	1.1	6.9	25.6

Spacing to Mounting Height Ratio

Spacing Criterion (0-180)	1.16
Spacing Criterion (90-270)	1.16
Spacing Criterion (Diagonal)	1.26

Physical Information

Lamp Description	(A) Length in mm (in.)	(B) Width in mm (in.)	(C) Height in mm (in.)
Quad Downlight	280 (11.02)	280 (11.02)	87.7 (3.45)



Additional Specifications

- Weight: 3.28 lbs.
- Compatible with Leviton dimmer model IP710-DL
- Designed to install in standard 8-10" CFL mounting frame. For a list of compatible housings, please refer to www.sylvania.com
- Suitable for indoor/outdoor use, including dry, damp and wet location environments.
- UL rated for wet applications

LEDVANCE LLC
 200 Ballardvale Street
 Wilmington, MA 01887 USA
 Phone 1-800-LIGHTBULB (1-800-544-4828)
www.sylvania.com

SYLVANIA and LEDVANCE are registered trademarks.
 All other trademarks are those of their respective owners.
 Licensee of product trademark SYLVANIA in general lighting.
 Specifications subject to change without notice.

[/sylvania](https://twitter.com/sylvania) [/sylvania](https://facebook.com/sylvania)

Name: _____
 Email: _____
 Phone: _____

