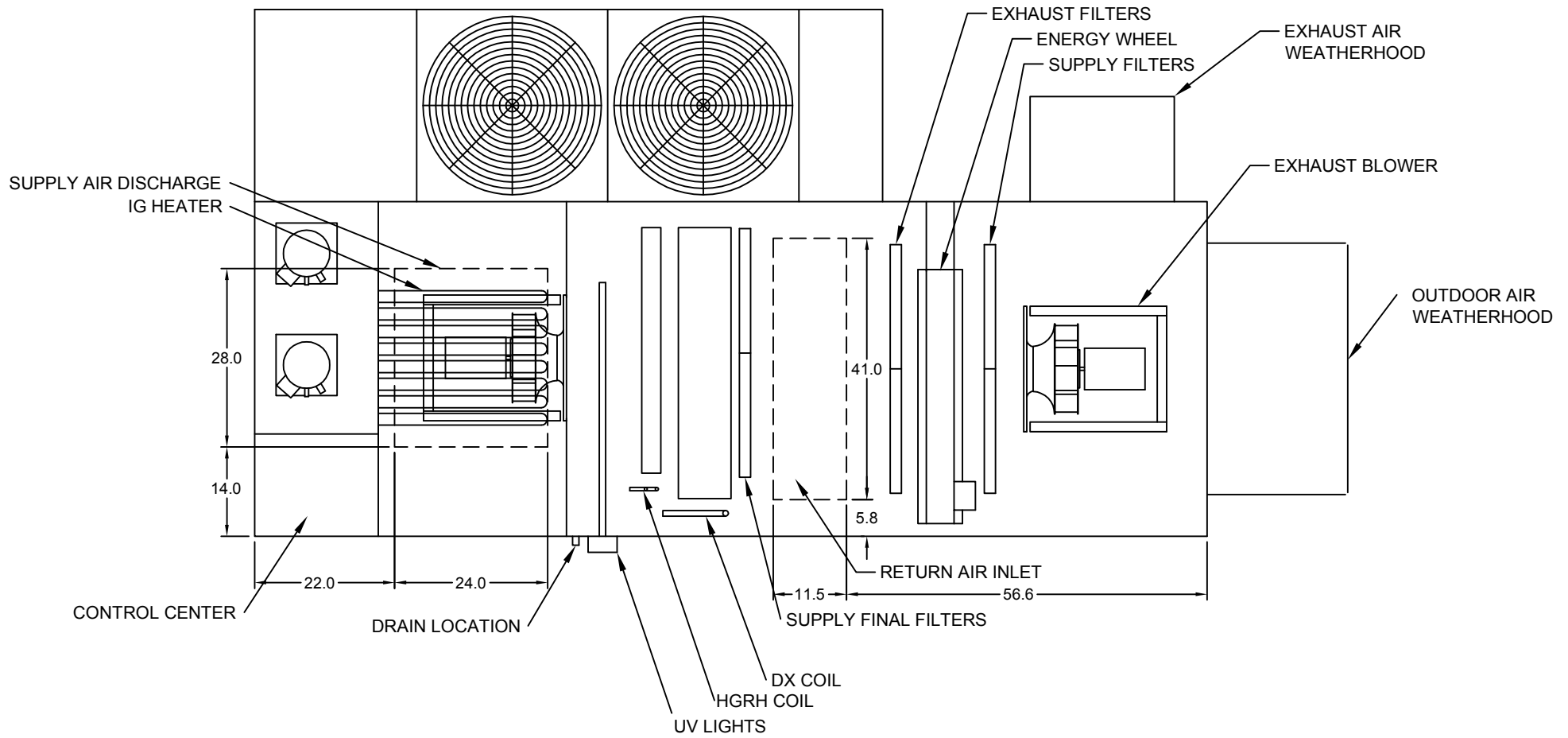
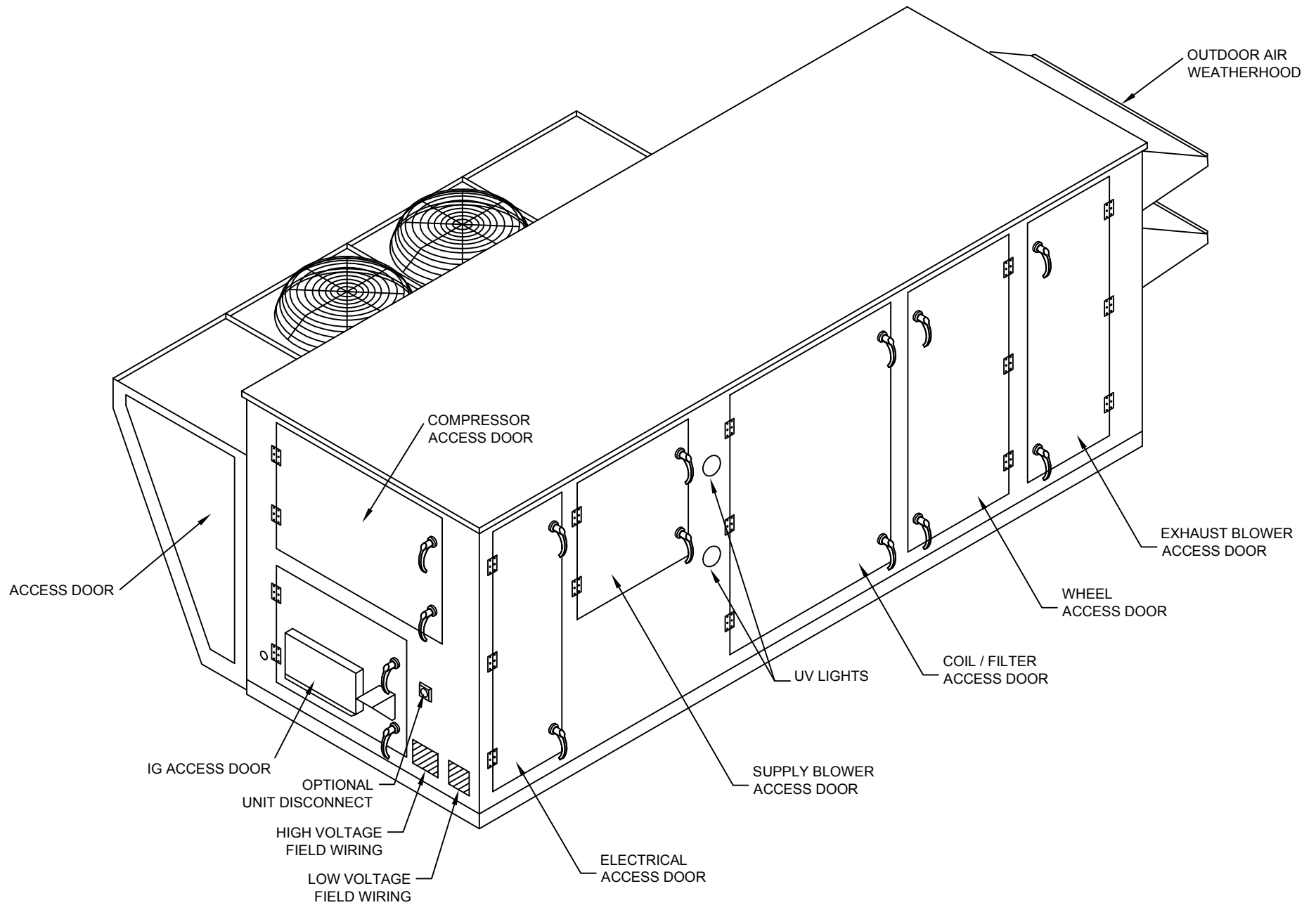


UV LIGHT APPROX LOCATION



Plan



Back Right Isometric