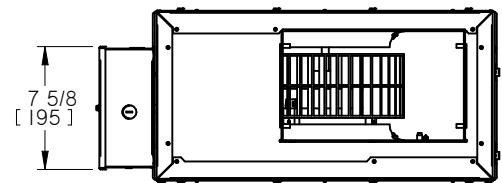
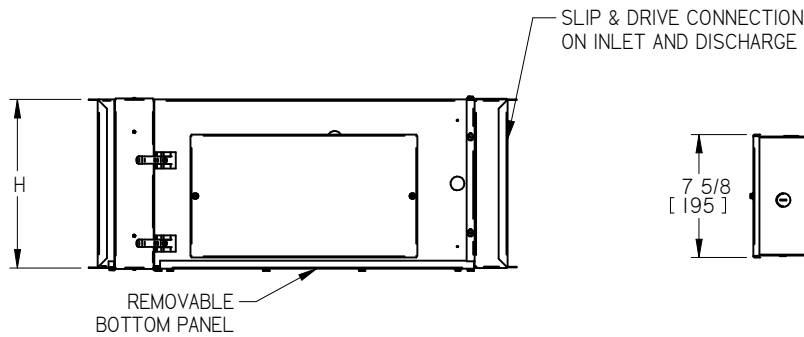


ECM MOTOR FLA

SIZE	MOTOR	115V	208V	240V	277V
	H.P.				
20	1/3	3.25	2.25	1.90	1.29
30	1/2	4.86	3.13	2.54	2.06

PSC MOTOR FLA

SIZE	MOTOR	115V	208V	240V	277V
	H.P.				
20	1/8	1.73	0.81	0.81	0.64
30	1/4	3.22	1.29	1.25	1.37



IMPERIAL UNITS (inches)

UNIT SIZE	# OF BLOWERS	MAX FAN FLOW, CFM	W	H	L
20	1	500	21	10 1/2	25 1/2
30	1	800	21	10 1/2	25 1/2

SI UNITS (mm)

MAX FAN FLOW, L/S	W	H	L
236	533	267	648
377	533	267	648

FILTER SIZES:

SIZE	W		H		QTY / UNIT
	in	mm	in	mm	
20/30	20 7/8	530	10 1/4	260	1

STANDARD CONSTRUCTION:

- INTERNAL INSULATION - FIBERGLASS 1/2" (13mm) THICK, MINIMUM 1.5 LB/CU.FT DENSITY WHICH MEETS REQUIREMENTS OF NFPA 90A & UL181.
- ZINC COATED 20 GAUGE STEEL HOUSING.
- ECM ELECTRICAL MOTOR, 1 PHASE, 60 CYCLE, SPEED CONTROLLER INCLUDED.
- LISTED UL 1995 & CSA236 ASSEMBLY.
- 2" MERV 13 FILTER (SIDE ACCESS).
- RIGHT HAND CONTROLS CONFIGURATION SHOWN ABOVE. LEFT HAND ALSO AVAILABLE.
- BOTTOM BLOWER ACCESS PANEL.
- INLET AND DISCHARGE DESIGNED FOR SLIP & DRIVE CLEAT DUCT CONNECTIONS.

OPTIONS:

- CONFIGURATION:
 - FILTERED EXHAUST BOOSTER
 - OVERHEAD AIR FILTRATION UNIT
- DISCONNECT SWITCH (DSW)
- HANGER BRACKETS (HB), SHIPPED LOOSE
- SPRING HANGER BRACKETS (HBS), SHIPPED LOOSE
- MOTOR FUSE (MFUS)
- ECM DELUXE SPEED CONTROLLER (ECMDX)

LINERS:

- SM50
- FF50
- FB

ALL METRIC DIMENSIONS () ARE SOFT CONVERTED. IMPERIAL DIMENSIONS ARE CONVERTED TO METRIC AND ROUNDED TO THE NEAREST MILLIMETER.

PROJECT:		PRICE	
ENGINEER:		G	FCHG
CUSTOMER:		PXY74688	FAN COIL HORIZONTAL HIGH PERFORMANCE GENESIS FILTRATION UNIT SIZE 20-30
SUBMITTAL DATE:	SPEC. SYMBOL:	2020/08/17	