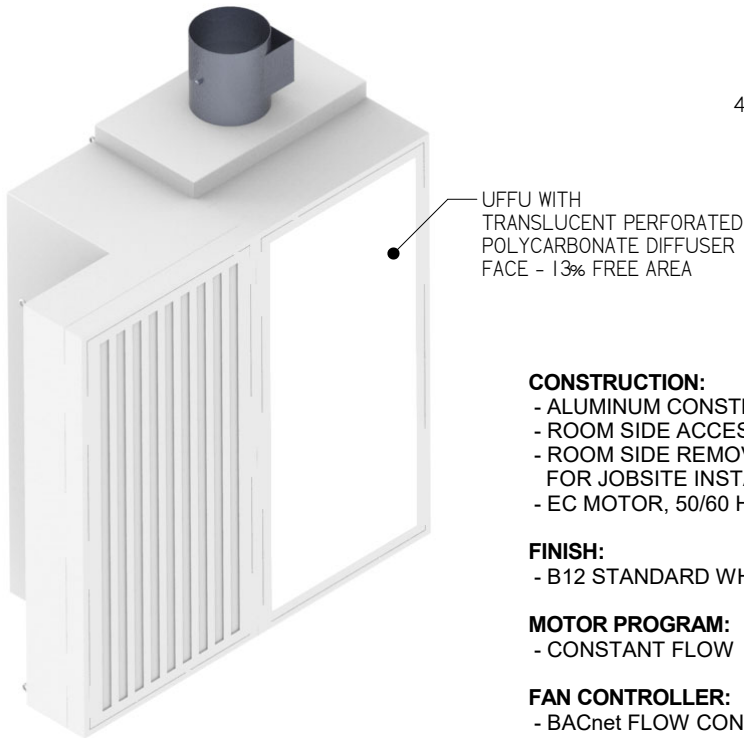
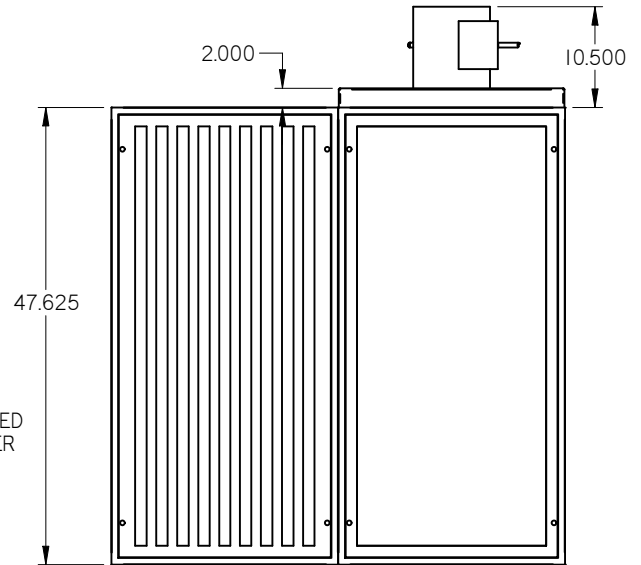
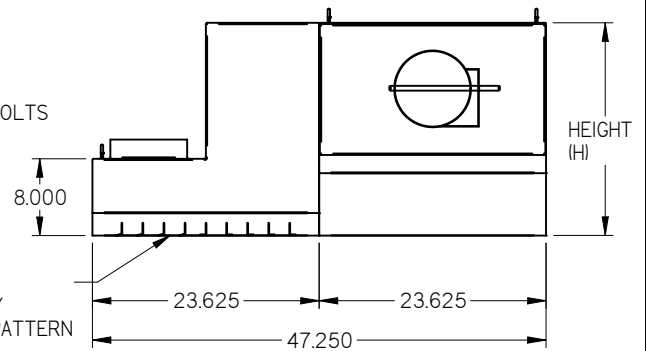
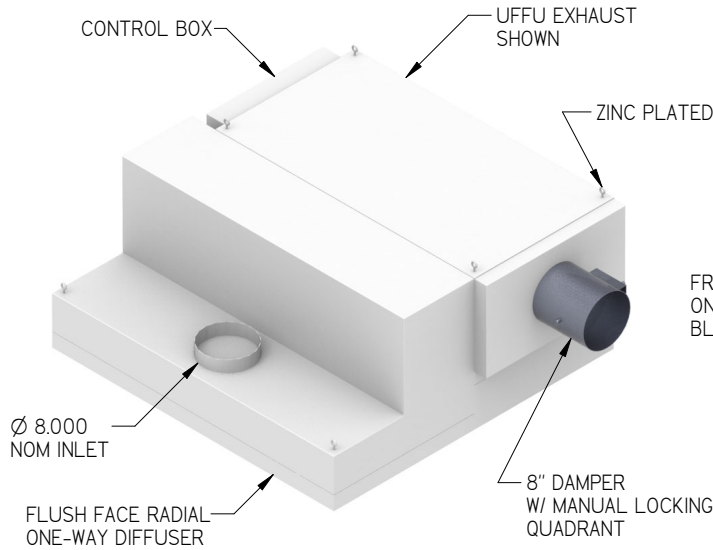


**PANDEMIC READY FAN FILTER UNIT WITH OPTIONAL LED LIGHTING
CONSTRUCTION DETAILS**



CONSTRUCTION:

- ALUMINUM CONSTRUCTION
- ROOM SIDE ACCESSIBLE MOTOR AND BLOWER ASSEMBLY
- ROOM SIDE REMOVABLE FILTER FOR UFFU/FFU, PACKAGED SEPERATELY FOR JOBSITE INSTALLATION BY OTHERS
- EC MOTOR, 50/60 Hz, 1 PHASE

FINISH:

- B12 STANDARD WHITE

MOTOR PROGRAM:

- CONSTANT FLOW

FAN CONTROLLER:

- BACnet FLOW CONTROLLER

HEIGHT (H):

- UFFU - 22.250"
- FFU - 18.000"

WHEEL TYPE:

- FORWARD CURVE BLOWER WHEEL

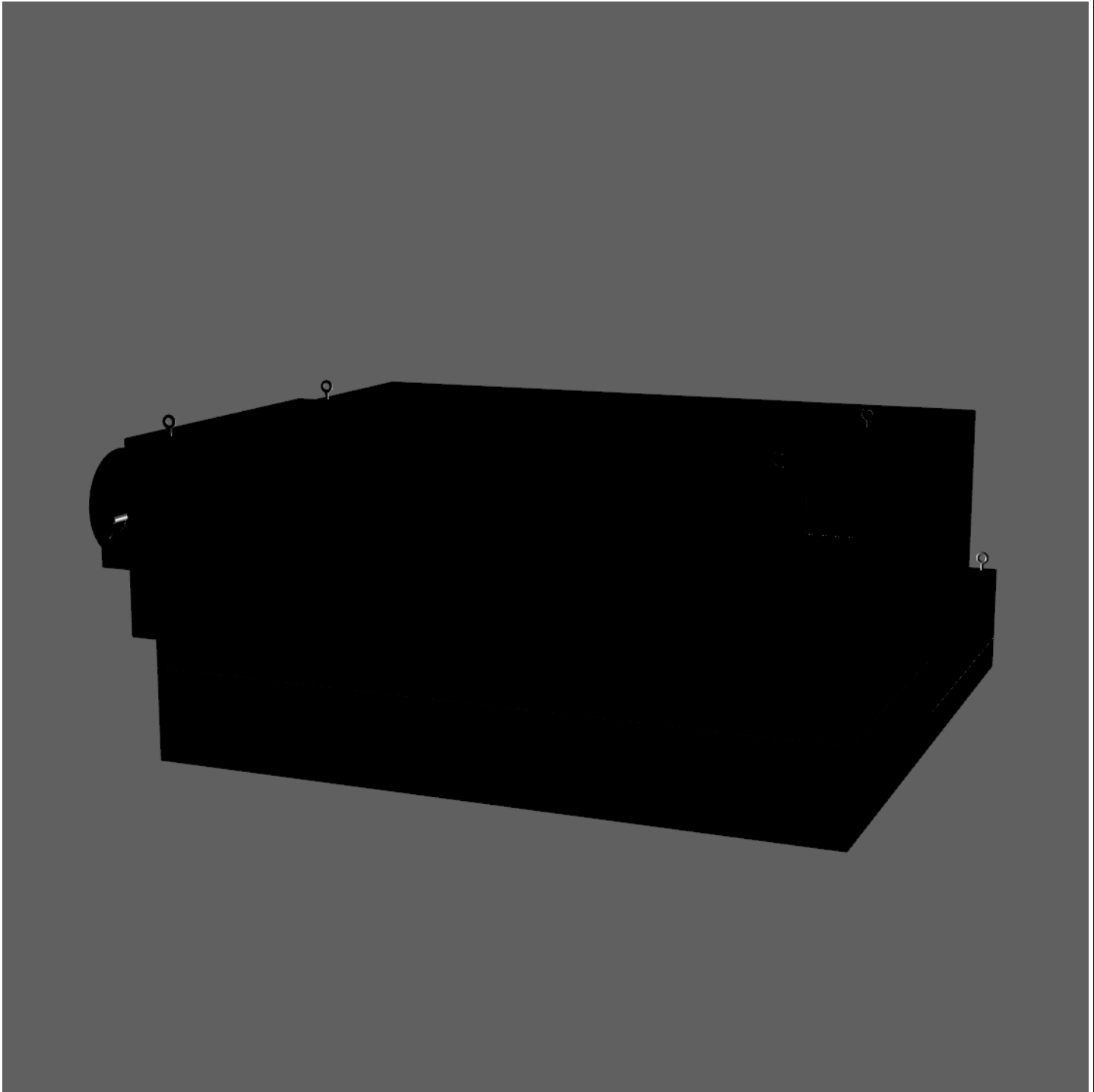
FILTER AND MOTOR STATUS LIGHTS:

- TRI-COLOR FACE MOUNTED LED FILTER AND MOTOR STATUS LIGHT

ALL METRIC DIMENSIONS () ARE SOFT CONVERTED. IMPERIAL DIMENSIONS ARE CONVERTED TO METRIC AND ROUNDED TO THE NEAREST MILLIMETER.

PROJECT:		PRICE
ENGINEER:		
CUSTOMER:		PXY74399
SUBMITTAL DATE:	SPEC. SYMBOL:	2020/07/20
		CE-MISC PANDEMIC READY FAN FILTER UNIT WITH OPTIONAL LED LIGHTING

**PANDEMIC READY FAN FILTER UNIT WITH OPTIONAL LED LIGHTING
3D INTERACTIVE MODEL**



ALL METRIC DIMENSIONS () ARE SOFT CONVERTED. IMPERIAL DIMENSIONS ARE CONVERTED TO METRIC AND ROUNDED TO THE NEAREST MILLIMETER.

PROJECT:		PRICE [®]	
ENGINEER:			CE-MISC PANDEMIC READY FAN FILTER UNIT WITH OPTIONAL LED LIGHTING
CUSTOMER:		PXY74399	
SUBMITTAL DATE:	SPEC. SYMBOL:	2020/07/20	