

SpecSeal® FP Intumescent Firestop Plug

SpecSeal® FP Intumescent Firestop Plugs are soft and supple, foam plugs molded from polyurethane. Plugs are conveniently sized to fit 2 in (51 mm) or 4 in (102 mm) diameter openings or sleeves fabricated from electrical metallic tubing (EMT). The intumescent plugs expand when exposed to heat to quickly close off around combustible jacketed cables.

The SpecSeal® FP500D Firestop Plugs are conveniently sized to fit 5 in. (127 mm) diameter openings or steel sleeves. When exposed to heat they quickly close off 1-1/2 in. or 2 in. Trade Size ABS, PVC, Steel or Iron drain pipes.

Applications

SpecSeal® FP Intumescent Firestop Plugs are designed for temporary or permanent sealing of single or grouped cables, metallic and non-metallic pipe penetrations, and blank openings through common construction such as concrete or gypsum board.

Specifications

The firestopping system shall utilize an intumescent foam plug having a nominal density of 19 pcf. The plug shall expand a minimum 10 times. The one-piece product shall be sized to fit the inside diameter of the opening or sleeve. The plug shall be UL Classified and tested to the requirements of ASTM E814 (UL1479) and CAN/ULC-S115.

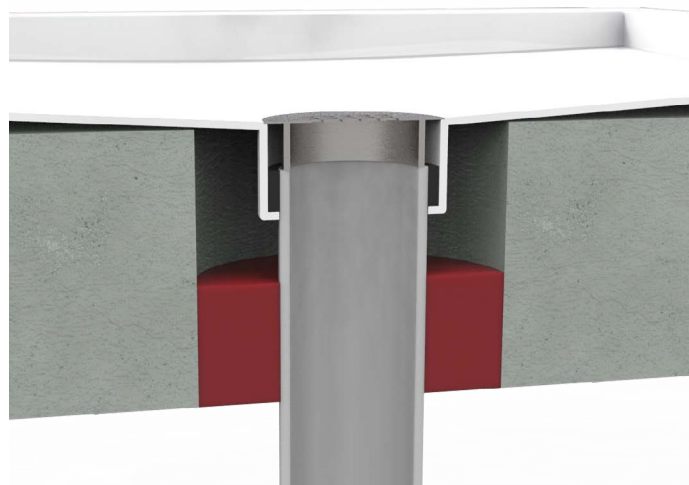
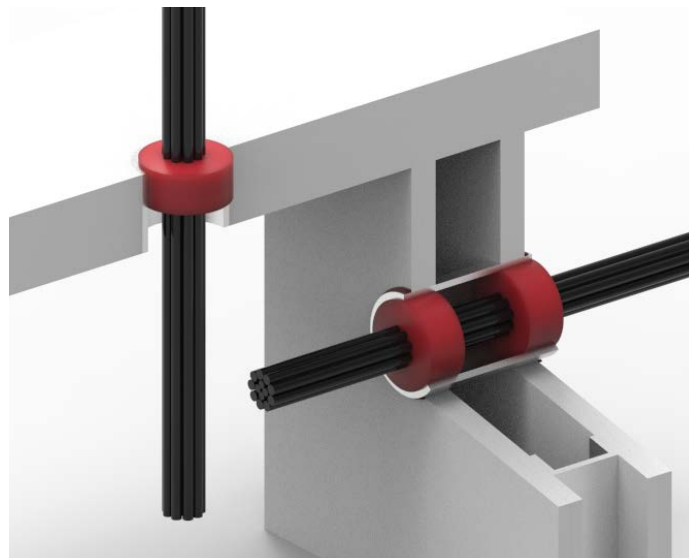
Specified Divisions

Division 7	07 84 13	Penetration Firestopping
Division 22	22 00 00	Firestopping for Plumbing
Division 26	26 00 00	Electrical
Division 27	27 00 00	Communications

Performance

SpecSeal® FP Intumescent Firestop Plugs were tested to meet the exacting criteria of ASTM E814 (UL1479) and CAN/ULC-S115. Tested systems were developed providing up to 2 hour ratings for penetrations of cables and blank openings through concrete and gypsum board/stud wall assemblies.

SpecSeal® FP500D Intumescent Firestop Plugs have been tested in Firestop Systems. Tested systems were developed providing up to 2 hour ratings for penetrations of nonmetallic and metallic drain pipes in 5 in. diameter openings through concrete floors.



Features & Benefits

- Intumescent - expands in all directions
- Reinstallable - easy retrofitting of cables
- Easy to install - no special tools required
- Soft and resilient foam - conforms to cable & pipe surfaces
- Paintable - can be painted to match surroundings

SpecSeal® FP Intumescent Firestop Plug



Limitations

This product has been designed to be safe with plastics. It has been used extensively and successfully with various types of plastic pipes, tubes, and plastic cable insulations. Variations in these materials, however, make it impossible to guarantee compatibility. STI strongly recommends that the user consults with the pipe, tubing, or cable manufacturer in question regarding any known sensitivities or potential restrictions before applying this product.

Maintenance

Installations should be inspected periodically for subsequent damage. Replace any damaged foam plugs.

System Selection

To find your firestop system or create a submittal, visit <https://systems.stifirestop.com/> to use System Search & Submittal Builder. You may also visit the [UL Online Certifications Directory/UL Product IQ™](#) for complete listings. (Firestop Systems).

Technical Service

Specified Technologies Inc. provides toll free technical support to assist in product selection and appropriate installation design. UL System designs suitable for submittal or specification purposes are available on request. A complete library of technical information is provided at the company's website www.stifirestop.com including Safety Data Sheets (SDS's).

Precautionary Information

No unusual hazards are known or expected. Observe normal safety procedures during installation.

Availability

SpecSeal® FP Intumescent Firestop Plugs are available from Specified Technologies Inc. (STI) authorized distributors. For additional purchasing and technical information or for the names and locations of the nearest representative and/or distributor, regarding this and other Specified Technology products, please call 1-800-992-1180 or visit www.stifirestop.com.

PHYSICAL PROPERTIES

Color	Red
Density	19 pcf (304 kg/m³)
Weight	2" – 0.20 lb (91 g) 4" – 0.50 lb (227 g) 5" – 0.50 lb (227 g)
Expansion Begins	350°F (176°C)
Volume Expansion	10x
In Service Temperature	Less than 130°F (54°C)
Storage Temperature	Less than 130°F (54°C)
VOC Content	N/A
Shelf Life	No Limit

ORDERING INFORMATION

Catalog Number	UPC Number	Description	(UOM) Qty.	Case Qty.	Weight (Each)
FP200	730573072029	Firestop Plug sized for 2 in. (51 mm) opening/sleeve	1	10	0.27 lbs (0.12 kg)
FP400	730573072043	Firestop Plug sized for 4 in. (102 mm) opening/sleeve	1	10	0.61 lbs (0.28 kg)
FP500D	730573072059	Firestop Plug sized for 5 in. (127 mm) opening/sleeve. For sealing drain pipe penetrations in concrete floors only	1	10	0.59 lbs (0.27 kg)

IMPORTANT NOTICE: ALL STATEMENTS, TECHNICAL INFORMATION, AND RECOMMENDATIONS CONTAINED HEREIN ARE BASED UPON TESTING BELIEVED TO BE RELIABLE, BUT THE ACCURACY AND COMPLETENESS THEREOF IS NOT GUARANTEED.

STI TYPICALLY WARRANTIES ITS PRODUCTS FOR ONE FULL YEAR. FOR COMPLETE DETAILS OF OUR STANDARD WARRANTY, PLEASE VISIT WWW.STIFIRESTOP.COM/LEGAL/WARRANTY

MADE IN THE USA - © 2021 SPECIFIED TECHNOLOGIES INC.

