

PRX-EL-DCL

**125 kHz Prox Data Cabinet Lock -
Electronic Swinghandle**

Features:

- Remote lock and unlock
- Momentary or continuous lock actuation
- Local monitoring with multi-color LED indicator
- Lock status outputs for remote monitoring
- Industry standard 25x150mm panel prep - kits for other panel preps available
- Integral key lock for manual over-ride
- Options for combined electronic lock and RFID card reader
- Reader recognizes existing employee 125kHz or 13.56 MHz RFID cards
- Wire Harness with RJ45 Connector included



Material & Finish

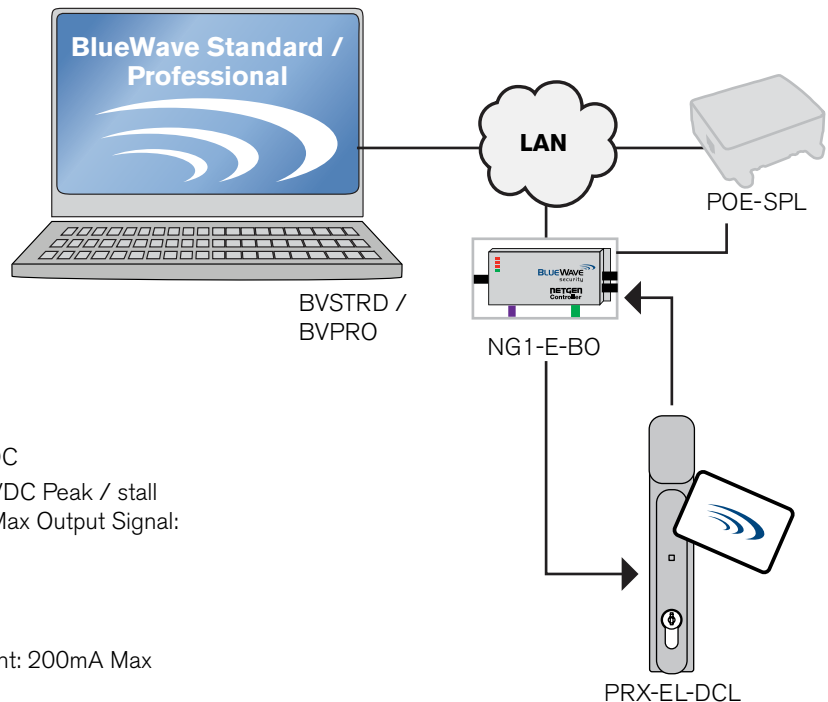
Glass-filled nylon, PC/ABS (UL94-V0)
Shaft, rotation limiter: Die-cast zinc, bright sealer

Electronic Swinghandle

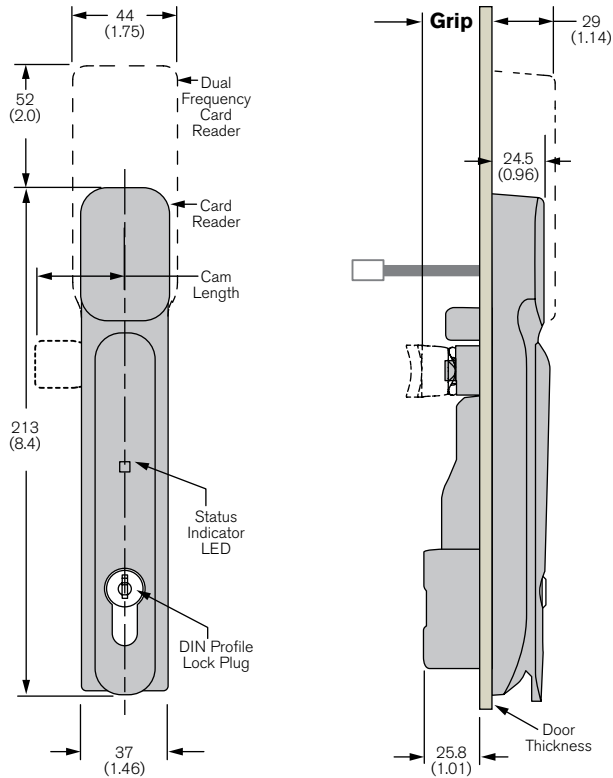
Recommended operating voltage: 12VDC to 24VDC
Typical operating current: Less than 200mA at 12VDC Peak / stall
operating current: 1 Amp Standby current: 50mA Max Output Signal:
100mA Max load

Card Reader Module

Supply voltage: 12VDC to 24VDC Operating current: 200mA Max



Electronic Swinghandle Dimensions:



Part Number	Description
PRX-EL-DCL	125 kHz Data Cabinet Lock – Electronic Locking Swinghandle *Requires a NG1-E-BO, PoE Splitter and BlueView Software for Operation
PRX-EL-DCL-KIT	125 kHz Data Cabinet Lock – Electronic Locking Swinghandle, NetGen UL294 Controller (NG1-E-BO), PoE Splitter (POE-SPL) *Requires BlueView software/license
Data Cabinet Lock Add-Ons	
PRX-EL-DCL-RKH	125 kHz Data Cabinet Lock – Electronic Locking Swinghandle Retrofit Kit Horizontal
PRX-EL-DCL-RKV	125 kHz Data Cabinet Lock – Electronic Locking Swinghandle Retrofit Kit Vertical
A La Carte Items to Complete the Solution	
NG1-E-BO	NetGen UL294 Ethernet Controller Board Only *One controller can operate up to (8) PRX-EL-DLs, depending on requirements
POE-SPL	PoE Splitter 802.3af 15.4w
BVSTRD	BlueView Standard Software with 5 Door Licenses and expandable up to 20 Licenses. Includes Webpages and Commissioning Import Utility. Software is Delivered on FREE Laptop Shipped Directly to Customer
BVPRO	BlueView Professional Software with 10 Door Licenses and expandable up to 60 Licenses. Includes Webpages and Commissioning Import Utility. Software is Delivered on FREE Laptop Shipped Directly to Customer
BV5	BlueView Licenses – 5 Pack
BV10	BlueView Licenses – 10 Pack
Factory Direct Services	
SVC-CONSULT	Factory Direct Commissioning and Consulting Services, As-Needed