



PAI MONTHLY NEWSLETTER - AUGUST 2025 EDITION

STAY CURRENT



World Tested. Performance Proven.

AUGUST 2025



STAY CURRENT

WORLD TESTED. PERFORMANCE PROVEN.

Table of Contents

Price Reduced	3
Featured Items	4-5
Drive Train Components	6
Engine Components	7-10
New Engine Kits	11
Additional New Items	12



STAY CURRENT

ISO:9001 CERTIFIED

Price Reduced

PAI Reference	OEM Reference	Description
RLA-0968	MAK 4379-RD555520	Louver
EM68820	MAK 2104-5438	U-Joint
EM68840	MAK 2104-5674X	U-Joint
101209	N/A	Cylinder Kit
111266	N/A	Piston Kit
101197	N/A	Cylinder Kit
101212	N/A	Cylinder Kit
101218	N/A	Cylinder Kit
101219	N/A	Cylinder Kit
101232	N/A	Cylinder Kit
101233	N/A	Cylinder Kit
111731	N/A	Piston Kit
111732	CUM 4376566	Piston Kit
111767	N/A	Piston Kit
111768	CUM 4376243	Piston Kit
111770	N/A	Piston Kit
111771	CUM 4376244	Piston Kit
111779	N/A	Piston Kit
111780	CUM 2882023	Piston Kit
111852	CUM 5405828	Piston Kit
136191	CUM 5365350	EGR Seal
161649	CUM 2881719	Liner Kit
480251	NAV 1832540C94	EGR Cooler Kit
609913X	DDC 5234775	Fuel Injector Assy.
691925OEM	DDC EA4720501401	Camshaft
691997	MBZ A0000535858	Valve Seal
730444	PAC 2CP90-10SVC	Switch
891926E	MAK 22501349	Camshaft



STAY CURRENT

WORLD TESTED. PERFORMANCE PROVEN.

Featured Item: Caterpillar C18 Engine Camshaft

PAI's Camshaft are thoroughly tested to ensure optimum fit and performance on specific vehicle applications. This replacement Camshaft (391871) fits Caterpillar C18 Engine applications, replaces OEM 3327300.



PAI Reference	OEM Reference
391871	CAT 3327300
Material: Steel	
Description: Camshaft	
Application: Caterpillar C18 Engine Application	

Material: Steel
Caterpillar C18 Engine Application
Direct Replacement for Caterpillar 3327300
Ensures Optimum Fit and Performance
OEM Recommended Specs
2-Year Warranty

World Tested. Performance Proven.
www.pai.com



ORDER NOW



Call 800-654-3721 or visit www.pai.com for additional Engine Components.

Use of other manufacturers' names, part numbers or trademarks are for informational and identification purposes only. [Scan QR for ESN Requirements >>](#)





STAY CURRENT

WORLD TESTED. PERFORMANCE PROVEN.

Featured Item: Detroit Diesel Series 60 Exhaust Manifold Kit

PAI's Exhaust Manifolds are thoroughly tested to ensure optimum fit and performance on specific vehicle applications. This replacement Exhaust Manifold Kit (681151) fits Detroit Diesel Series 60 Exhaust Manifold Assembly, replaces OEM pieces 23237115, 23537114, & 23537116.



GASKET & HARDWARE INCLUDED*

Pre-Assemble in the USA

**Material: Cast Iron
1 Piece Assembly**

**Detroit Diesel Series 60
Engine Application**

**Ensures Optimum Fit
and Performance**

**Direct Replacement for
Detroit Diesel Manifold
Front (23237115)
Center (53537114)
Rear (23537116)**

OEM Recommended Specs

2-Year Warranty

PAI Reference	OEM Reference
681151	23237115, 23537114, & 23537116
Material: Cast Iron	
Mounting Hardware & Gaskets Included	
Description: Exhaust Manifold Kit	
Application: Detroit Diesel Series 60 Exhaust Manifold Assembly	
Front Manifold: PAI Ref. 681138(1) OE Ref. 23237115	
Center Manifold: PAI Ref. 681136(1) OE Ref. 23537114	
Rear Manifold: PAI Ref. 681139(1) OE Ref. 23537116	
Note: Preassembled in the USA	

TWO YEAR Unlimited Mileage



WARRANTY

ORDER NOW



Call 800-654-3721 or visit www.paiindustries.com for additional Engine Components.

Use of other manufacturers' names, part numbers or trademarks are for informational and identification purposes only. [Scan QR for ESN Requirements >>](#)





STAY CURRENT

WORLD TESTED. PERFORMANCE PROVEN.



PAI Reference	OEM Reference	Order
845054	VOL 22583044	
Description: Shifter Lever		
Application: Mack Volvo M Drive		



PAI Reference	OEM Reference	Order
845053	VOL 23772271	
Description: Shifter Lever		
Application: Mack Volvo M Drive		



PAI Reference	OEM Reference	Order
806853	N/A	
Description: Input Shaft Kit		
Application: Mack T309L & T310		
Includes Input Shaft (1)806735E (764KB293) Bearing (1)EM65940 (46AX516) Bearing (1)GBG-6620 (67AX311) Piston (1)GVN-6965 (432KC13) Seal (1)EM67200 (88AX454) Gasket (1)GGK-3921 (629KB328B) Retaining Ring (1)GRI-2701 (97AX54) Retaining Ring (1)GRI-2714 (97AX226) Retaining Ring (1)GRI-2797 (97AX260) Retaining Ring (1)GRI-2798 (97AX262) Retaining Ring (1)ESR-2832 (97AX125)		

Air & Electrical

Cab & Chassis

Drivetrain

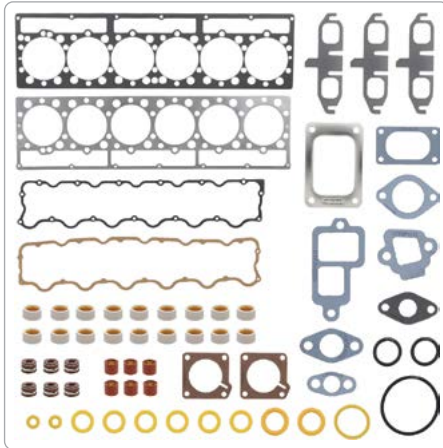
Engine

Sensors



STAY CURRENT

ISO:9001 CERTIFIED



PAI Reference	OEM Reference	Order
331193	CAT 1920478	
Description: Upper Gasket Kit		
Application: Caterpillar 3306G(Gas Unit)		



PAI Reference	OEM Reference	Order
381223	N/A	
Description: Exhaust Manifold Kit(Slip Fit)		
Application: Caterpillar C13		
Includes:		
Center Manifold (1)381229 (2504409)		
Manifolds (2)381228 (2319030)		
Exhaust Gaskets (6)331457 (2832238)		
Turbo Nuts (12)340062 (9X6620)		
Exhaust Manifold Studs (9)340015 (1163715)		
Turbo Studs (4)340117 (2459750)		
Manifold Studs (2)340118 (2245445)		
Manifold Stud (1)340119 (2245422)		
Bolt Spacers (9)340136 (4P4369)		
Manifold Spacers (2)340137 (2245450)		



PAI Reference	OEM Reference	Order
390095EX	CAT 3282583	
Description: Reman Fuel Injector Assembly		
Application: Caterpillar C7		

Air & Electrical

Cab & Chassis

Drivetrain

Engine

Sensors



STAY CURRENT

WORLD TESTED. PERFORMANCE PROVEN.



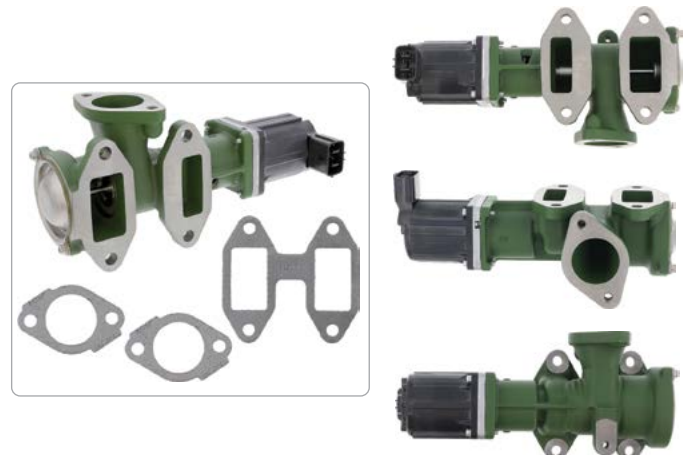
PAI Reference	OEM Reference	Order
381264	N/A	
Description: Exhaust Manifold Kit(1 pc Assy.)		
Application: Caterpillar 3406E/C15		
Includes Manifolds (1)381230 (1469445) (2)381231 (1333359)		



PAI Reference	OEM Reference	Order
391872	CAT 2124284	
Description: Camshaft Assembly		
Application: Caterpillar C7		
Includes: Camshaft (1) Gear (1)391878 Key (1)340125 Cam Bearing (1)351566 Bolts (2)340016		



PAI Reference	OEM Reference	Order
132080	CUM 2881967	
Description: Upper Gasket Kit		
Application: Cummins ISX12		



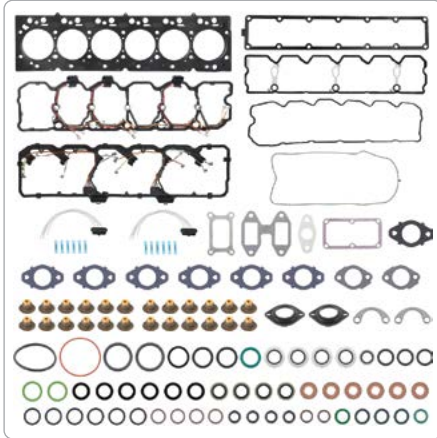
PAI Reference	OEM Reference	Order
141480OEM	CUM 4309416	
Description: EGR Valve Kit		
Application: Cummins ISB / QSB		
Includes Valve (1)141479 Gaskets (1)131872 & (1)131762		

Air & Electrical
Cab & Chassis
Drivetrain
Engine
Sensors



STAY CURRENT

ISO:9001 CERTIFIED



PAI Reference	OEM Reference	Order
131256	CUM 5406070	
Description: Upper Gasket Kit		
Application: Cummins ISB		



PAI Reference	OEM Reference	Order
660022	N/A	
Description: Cylinder Head Kit(Minor)		
Application: Detroit Diesel DD13 Mercedes OM471		

- Includes:
- Collets (48)192023 (3901177)
 - O-Rings (6)621248 (A0249976445)
 - Intake Valves (12)691918 (A4710500426)
 - Exhaust Valves (12)691919 (A4710500527)
 - Retainers (24)691970OEM (A4720530025)
 - Valve Seals (24)691999 (A4700530158)
 - Spring Seats (24)692003 (A9069900040)
 - Valve Springs (12)692004 (A4720530420)
 - Valve Springs (12)692007 (A4720530520)
 - Injector Tubes (6)692090 (A4720780273)



PAI Reference	OEM Reference	Order
641353	DDC 4720108262	
Description: Oil Separator Kit		
Application: Detroit Diesel DD13 & DD15		

Sensors Engine Drivetrain Cab & Chassis Air & Electrical



STAY CURRENT

WORLD TESTED. PERFORMANCE PROVEN.



PAI Reference	OEM Reference	Order
441422X	NAV 7090595C93	
Description: EGR Cooler Kit		
Application: International Maxxforce		
Includes Mounting Hardware		



PAI Reference	OEM Reference	Order
609899EX	DDC R5235915	
Description: Fuel Injector Assembly		
Application: Detroit Diesel 60 Series		



PAI Reference	OEM Reference	Order
805075HP	N/A	
Description: HP Exhaust Manifold Kit(Slip Fit)		
Application: Mack MP8 Volvo D13		
Includes: (1 pc Assembly Replaces 20911049) Front Manifold (1)805073 (20910779) Center Manifold (1)805074 (20738332) Rear Manifold (1)805072 (20863692)		



PAI Reference	OEM Reference	Order
860043	MAK 21514063	
Description: Flywheel Assembly		
Application: Mack MP7 Volvo D11		
Units w/ Allison Transmission 153 Teeth		

Air & Electrical

Cab & Chassis

Drivetrain

Engine

Sensors



STAY CURRENT

ISO:9001 CERTIFIED

New Engine Kits Available

OEM REFERENCE	PAI REFERENCE	APPLICATION
N/A	C15611-010	Caterpillar C15
N/A	ISL102-051	Cummins ISL
CUM 5579451	ISX111-193HP	Cummins ISX
CUM 6429512	ISX116-241	Cummins ISX
N/A	ISX141-353	Cummins ISX
NAV 1889894C99	570102-001	International DT-466E / DT-570 (2004 & Up)



STAY CURRENT

WORLD TESTED. PERFORMANCE PROVEN.

Additional New Items

PAI Reference	OEM Reference	Description
040157OEM	CUM 3991132	Capscrew
040176OEM	CUM 3913034	Screw
045099	CUM 3678871	Dowel Sleeve
045103	CUM 3689396	Cooling Nozzle
050630E	CUM 4921519	Pressure Sensor
101212	N/A	Cylinder Kit
111238	N/A	Piston Kit
111605OEM	CUM 3800326	Piston Kit
111815	N/A	Piston Kit
121455	N/A	O-Ring Kit
151484	CUM 3680201	Gear Bushing
311068	CAT 2302569	Retainer
321513	CAT 1121574	O-Ring
331739	CAT 6N9135	Block Gasket
331792	CAT 1272176	Water Gasket
340141	CAT 1149223	Manifold Spacer
470050E	NAV 1823859C91	Main Bearing Set
621288	DDC N000000001071	Washer
621290	DDC A0299976845	Washer
631200	DDC A9340160220	Head Gasket
631211	DDC A9340160021	V.C. Gasket
631220	DDC A9340140222	Oil Pan Gasket
631431OEM	DDC A4600980380	Gasket
640067E	DDC A0000110971	Bolt
671620E	DDC 8929085	Bearing
671631	DDC A9360300340	Main Bearing
671658	DDC A4710300520	Connecting Rod
681220OEM	DDC 23535856	Coupling
700106	KEN K041724120CA	Bolt
700125	N/A	Washer
803166OEM	MAK 20949977	Relief Valve
836036OEM	MAK 20483426	Oil Seal

PAI Reference	OEM Reference	Description
836037OEM	MAK 22142370	Seal
840027OEM	MAK 400GC33P2	Head Bolt
841252OEM	VOL 944633	Washer
845000OEM	MAK 20908338	Guide Pin
871008	VOL 24247105	Main Bearing
900403	FUL 4304111	Range Piston
940041	ROK 1244-J-2194	Spacer
940262OEM	ROK 2208-K-1051	Gasket