



PAI MONTHLY NEWSLETTER - JULY 2025 EDITION

STAY CURRENT



World Tested. Performance Proven.

JULY 2025



STAY CURRENT

WORLD TESTED. PERFORMANCE PROVEN.

Table of Contents

Price Reduced	3
Featured Items	4-5
Drive Train Components	6
Engine Components	7-11
New Engine Kits	12
Additional New Items	13



STAY CURRENT

ISO:9001 CERTIFIED

Price Reduced

PAI Reference	OEM Reference	Description
ECL-1759	MAK 11ME335	Clamp
ECL-1957	MAK 83AX456	Clamp
EFI-2406	MAK 203GC4222A	Tube
LCV-3754	MAK 20QE3373	Solenoid Valve
MHH-4186-025	MAK 893AXF	Hose
FCL-4713	MAK 22QS257	Retainer
GBG-6172	FUL 4300902	Bearing Set
EDS-8514	MAK 795GB377A	Oil Dipstick
EF61140	FUL 12817	Yoke
EM37070	MAK 5396-KN27000	Valve
EM48060	MAK 20QL259A	Insulator
ER00380	ROK 15-X-1523	Screw
ER30440	ROK 1229-M-4069	Washer
ER39220	ROK 2208-E-421	Gasket
ER61730	MAK 67AX189	Bearing
045056	CUM 3687058	Cooling Nozzle
045099	CUM 3678871	Dowel Sleeve
131277	CUM 211052	Gasket
161652	CUM 4311633	Liner Kit
162031	CUM 4311637	Liner Shim
209986X	CUM 3047973	Injector Assembly
321487	CAT 8M5127	O-Ring
370180E	CAT 2436718	Bearing Set
381207	CAT 1965951	Turbocharger
431321	NAV 1889246C92	Gasket Kit
440017OEM	NAV 1827078C2	Bolt
631460	MBZ A4570101021	Gasket Kit
651451UX	DDC A4722020010	Pulley
651452UX	DDC A4712031840	Bracket
651453UX	DDC A4712031940	Bracket
651454UX	DDC A4722030240	Radiator Mount
651455UX	DDC A4720901141	Bracket

PAI Reference	OEM Reference	Description
651457UX	DDC A4722231341	Bracket
651458UX	DDC A4722340610	Bracket
660034EX	DDC A4720151002	Flywheel Housing
700106	KEN K041724120CA	Bolt
803832	MAN M1211	Bracket Assembly
803833	MAK 97QL5119M	Bracket Assembly
804103OEM	MAK 5839-870678A	Filter
804264	GDY 1S5-005	Air Spring
804295	MAK 10QK3105M	Spring Pin
808158	MAK 21130954	Gear Set
831119OEM	MAK 48RU21224M	Cable Tie
840015	MAK 85116992	Pump Install Kit
900445E	FUL 5566510	Bearing
900550	FUL 5556507	Bearing
960185	DAN 6.3-3-41KX	Slip Yoke
S60106-017E	N/A	Engine Kit



STAY CURRENT

WORLD TESTED. PERFORMANCE PROVEN.

Featured Item: Detroit Diesel DD15 Exhaust Manifold Kit

PAI's Exhaust Manifolds are thoroughly tested to ensure optimum fit and performance on specific vehicle applications. This replacement Exhaust Manifold Kit (681168) fits Detroit Diesel DD15 Exhaust Manifold Assembly, replaces OEM pieces A4721420901 & A4721401914.



GASKET & HARDWARE INCLUDED*

Pre-Assemble in the USA

Material: Cast Iron

**Detroit Diesel DD15
Engine Application**

**Ensures Optimum Fit
and Performance**

**Direct Replacement for
Detroit Diesel Manifold
Front/Rear (A4721401914)**

**Direct Replacement for
Detroit Diesel Manifold
Center (A4721420901)**

OEM Recommended Specs

2-Year Warranty

PAI Reference	OEM Reference
681168	A4721420901 & A4721401914
Material: Cast Iron	
Mounting Hardware & Gaskets Included	
Description: Exhaust Manifold Kit	
Application: Detroit Diesel DD15 Exhaust Manifold Assembly	
Front/Rear Manifold: PAI Ref. 681148(2) OE Ref. A4721401914	
Center Manifold: PAI Ref. 681147(1) OE Ref. A4721420901	
Note: Preassembled in the USA	

TWO YEAR Unlimited Mileage



WARRANTY

ORDER NOW



Call 800-654-3721 or visit www.paiindustries.com for additional Engine Components.

Use of other manufacturers' names, part numbers or trademarks are for informational and identification purposes only. [Scan QR for ESN Requirements >>](#)





STAY CURRENT

WORLD TESTED. PERFORMANCE PROVEN.

Featured Item: Detroit Diesel DD15 Exhaust Manifold Assembly

PAI's Exhaust Manifolds are thoroughly tested to ensure optimum fit and performance on specific vehicle applications. This replacement Exhaust Manifold Kit (681149) fits Detroit Diesel DD15 Exhaust Manifold Assembly, replaces OEM pieces A4721420901 & A4721401914.



PAI Reference	OEM Reference
681149	--
Material: Cast Iron	
Description: Exhaust Manifold Kit	
Application: Detroit Diesel DD15 Exhaust Manifold Assembly	
Front/Rear Manifold: PAI Ref. 681148(2) OE Ref. A4721401914	
Center Manifold: PAI Ref. 681147(1) OE Ref. A4721420901	
Note: Preassembled in the USA	

Material: Cast Iron

Detroit Diesel DD15 Exhaust Manifold Assembly

Direct Replacement for Detroit Diesel Manifold Front/Rear (A4721401914)

Direct Replacement for Detroit Diesel Manifold Center (A4721420901)

Ensures Optimum Fit & Performance

OEM Recommended Specs

2-Year Warranty

TWO YEAR WARRANTY Unlimited Mileage



ORDER NOW



Call 800-654-3721 or visit www.paiindustries.com for additional Engine Components.

Use of other manufacturers' names, part numbers or trademarks are for informational and identification purposes only. [Scan QR for ESN Requirements >>](#)





STAY CURRENT

WORLD TESTED. PERFORMANCE PROVEN.



PAI Reference	OEM Reference	Order
960174	DAN 211987X	
Description: Boot Kit		
Application: Dana SPL170/250		
Includes Clamps (2) 10.70in Tall 4in ID		



PAI Reference	OEM Reference	Order
900148	FUL 21502	
Description: Mainshaft Gear(Lo)		
Application: Fuller RTLO 16718B, RTLOF 16718B, RTLO 18718, RTLOF 18718B		
18 / 44 Teeth		



PAI Reference	OEM Reference	Order
900141HP	FUL 4303360	
Description: HP Auxiliary Mainshaft Gear		
Application: Fuller RT 16908LL		
17 / 18 / 34 Teeth		



PAI Reference	OEM Reference	Order
806779	VOL 20776790	
Description: Input Gear		
Application: Mack M Drive / Volvo I-Shift		
28 / 40 Teeth		

Air & Electrical

Cab & Chassis

Drivetrain

Engine

Sensors



STAY CURRENT

ISO:9001 CERTIFIED



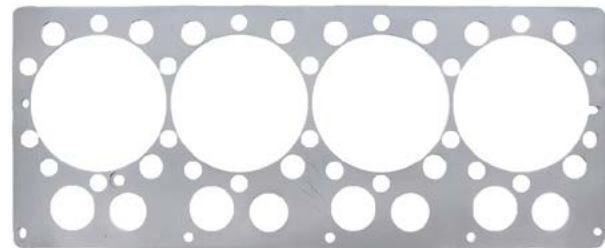
PAI Reference	OEM Reference	Order
391881	CAT 1292888	
Description: Camshaft		
Application: Caterpillar C10		



PAI Reference	OEM Reference	Order
350625	CAT 2311973	
Description: Camshaft Position Sensor Kit		
Application: Caterpillar Multiple		
10.25in OAL Includes Sensor (1)350621 O-Ring (1)321375		



PAI Reference	OEM Reference	Order
381203	CAT 2395581	
Description: Turbocharger(Low Pressure)		
Application: Caterpillar C13		

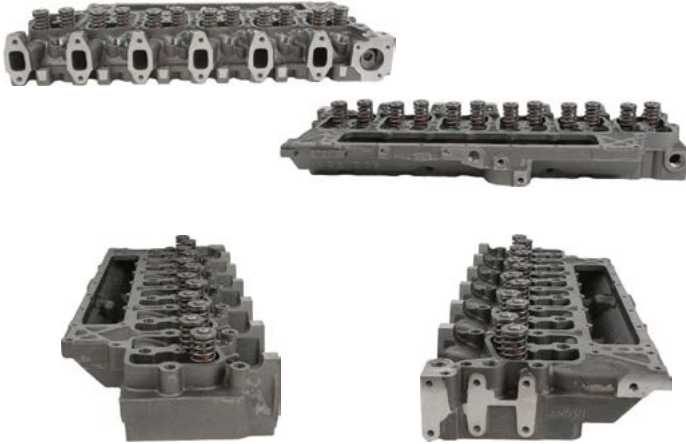


PAI Reference	OEM Reference	Order
360420	CAT 7N8021	
Description: Spacer Plate		
Application: Caterpillar 3304		

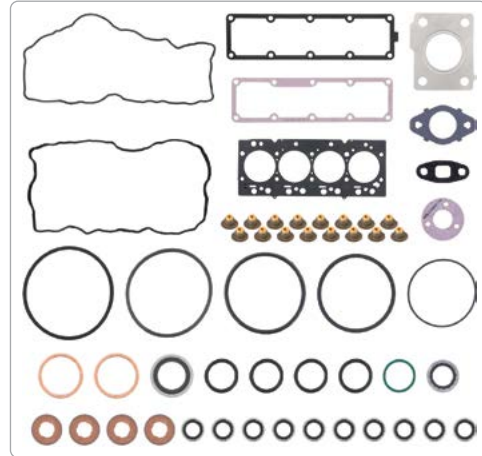


STAY CURRENT

WORLD TESTED. PERFORMANCE PROVEN.



PAI Reference	OEM Reference	Order
060170E	CUM 3802340	
Description: Cylinder Head Assembly		
Application: Cummins 6B		
Loaded 2 VH 7mm Injector Holes		



PAI Reference	OEM Reference	Order
132106	CUM 4376136	
Description: Upper Gasket Kit		
Application: Cummins ISB		



PAI Reference	OEM Reference	Order
141266	CUM 5302892	
Description: Lube Pump		
Application: Cummins ISF 3.8L		



PAI Reference	OEM Reference	Order
180186	CUM 5308313	
Description: Doser Solenoid		
Application: Cummins ISX		

Air & Electrical

Cab & Chassis

Drivetrain

Engine

Sensors



STAY CURRENT

ISO:9001 CERTIFIED



PAI Reference	OEM Reference	Order
650722	DDC A4711508333	
Description: Injector Wiring Harness(Rear)		
Application: Detroit Diesel DD13 Mercedes OM471		
19.46in OAL		



PAI Reference	OEM Reference	Order
650724	DDC A4721506333	
Description: Injector Wiring Harness(Rear)		
Application: Detroit Diesel DD15		
19.46in OAL		



PAI Reference	OEM Reference	Order
681151	N/A	
Description: Exhaust Manifold Kit		
Application: Detroit Diesel 60 Series		
Includes: Front Manifold (1)681138 Center Manifold (1)681136 Rear Manifold (1)681139 Gaskets (3)631293 (23533983) (1)631365 (23537922) Studs (4)040112 (4298220) (2)EST-0414 (107AM5019) Nuts (2)ENU-0422 (189AM1) Spacers (12)640012 (23511667) Screws (3)640008 (23509744) (9)640021 (8929357)		

Air & Electrical
Cab & Chassis
Drivetrain
Engine
Sensors



STAY CURRENT

WORLD TESTED. PERFORMANCE PROVEN.



PAI Reference	OEM Reference	Order
691945	DDC A4720501501	
Description: Intake Camshaft		
Application: Detroit Diesel DD16		
Includes Gear w/ 78 Teeth 43.27in OAL		

PAI Reference	OEM Reference	Order
481814	NAV 1809374C91	
Description: Water Pump Kit		
Application: International 444 Series		
Includes Pump (1)481813 Gasket (1)431372		



PAI Reference	OEM Reference	Order
441419	NAV 1889126C91	
Description: Oil Cooler Kit		
Application: International 444 Series		
Includes Cooler (1)441418 Gasket Kit (1)431389		

PAI Reference	OEM Reference	Order
730372OEM	PAC 2397569PE	
Description: Oil Cooler Kit		
Application: PACCAR MX11 / MX13		
Includes Cooler (1)730369 Gasket Kit (1)700097 Screws (12)700102		

Air & Electrical

Cab & Chassis

Drivetrain

Engine

Sensors



STAY CURRENT

ISO:9001 CERTIFIED



PAI Reference	OEM Reference	Order
831150	MAK 85116577	
Description: Turbocharger Mounting Kit		
Application: Mack MP7 Volvo D11		



PAI Reference	OEM Reference	Order
705068	PAC 5502-17	
Description: DEF Coolant Solenoid(12V)		
Application: PACCAR Multiple		



PAI Reference	OEM Reference	Order
880848	VOL 22744063	
Description: Doser Valve		
Application: Mack MP8 Volvo D13		



PAI Reference	OEM Reference	Order
853755	VOL 20792328	
Description: Fuel Pressure Sensor		
Application: Mack / Volvo Multiple		
2.30in OAL M18 x 1.5 Threads		

Air & Electrical
Cab & Chassis
Drivetrain
Engine
Sensors



STAY CURRENT

WORLD TESTED. PERFORMANCE PROVEN.

New Engine Kits Available

OEM REFERENCE	PAI REFERENCE	APPLICATION
N/A	855034E-017	Cummins 855
N/A	ISB434-076	Cummins ISB
N/A	ISC102-051	Cummins ISC
CUM 4376172	ISX117-150	Cummins ISX
CUM 6429519	ISX118-161	Cummins ISX
N/A	ISX141-386	Cummins ISX
N/A	L10103-033	Cummins L10



STAY CURRENT

ISO:9001 CERTIFIED

Additional New Items

PAI Reference	OEM Reference	Description
FSC-0318OEM	MAK 59AM3	Screw
FSC-0322OEM	MAK 27AM16	Screw
GKP-3496OEM	MAK 79AX35	Plug
EE73290	MAK 2719-127485	Bearing
EF64520-301	N/A	Gasket Kit
EF75530	MAK 67AX263	Bearing
EM34090	MAK 20QE2373	Valve
EM52230	MAK 20QE2360	Valve
EM52240	MAK 20QE2359	Valve
EM85920	MAK 446GC181	Seal
EM87760-579	MAK 88GB458P579	Belt
ER73270	MAK 8235-1228F552	Bearing
050508	CUM 3071967	Fuel Screen
101084HP	N/A	Cylinder Kit
111239	CUM 2881748	Piston Kit
131202	N/A	Seal Kit
132072	CUM 4376339	Gasket Kit
132095	CUM 4960126	Gasket
151559E	CUM 3680580	Cam Bearing
161703	CUM 5289507	Gasket
180246UX	CUM 3691454	Inlet Tube
192239	N/A	Injector Tube
195050OEM	CUM 3691162	Throttle Valve
209962	CUM 3948523	Fuel Injector
305017	N/A	Piston Ring Set
311182OEM	CAT 1928810	Crown
321517	CAT 6V5066	O-Ring
331736	CAT 1669145	Gasket
331741	CAT2395572	Gasket
331743	CAT 4N4307	Gasket
336064	CAT 8C5210	Seal
336075	CAT 5332152	Seal Kit

PAI Reference	OEM Reference	Description
381868OEM	CAT 4P1749	Manifold Housing
381869OEM	CAT 9Y2586	Thermostat Housing
441199OEM	NAV 1830813C92	Oil Kit
451371OEM	NAV 2504129C91	Wiper Motor
451651OEM	NAV 472698C1	Hood Bumper
470032E	NAV 1808071C92	Main Bearing
505064E	CUM 4089489	Ring Set
631460	MBZ A4570101021	Gasket Kit
636016	DDC A0149979846	Crankshaft Seal
636029OEM	DDC 23523995	Shaft Seal
651451UX	DDC A4722020010	Pulley
651452UX	DDC A4712031840	Bracket
651453UX	DDC A4712031940	Bracket
651454UX	DDC A4722030240	Radiator Mount
651455UX	DDC A4720901141	Bracket
651457UX	DDC A4722231341	Bracket
651458UX	DDC A4722340610	Bracket
660034EX	DDC A4720151002	Flywheel Housing
661607	DDC 23539134	Liner Shim
671620E	DDC 8929085	Thrust Bearing
681182UX	DDC A4720900034	Shield
691848	DDC A4721870701	Oil Tube
707093UX	FTL 01-88288-000	Engine Mount
740235E	FTL 379502	Pressure Switch
804107OEM	MAK 11MR318M3	Breaker
840042	MAK 21344787	Bolt
840067	MAK 45AM13	Screw
871007	VOL 23898748	Main Bearing
C15607-010	N/A	Engine Kit