

Selectable Compact LED Linear High Bay *Lighting and Power Technologies LLC*

Wattage: 100W,115W, 135W ; 155W, 185W, 200W ; 200W, 230W, 270W; 270W, 340W, 400W



CODE: 90283-14-S

The Linear High Bay with its all-in-one, lightweight and slim with multiple mounting situations available put it at the top of the list for any high ceiling area where super bright light is needed. The LED Linear High bay Light Series can be widely used for indoor excellent for warehouse, industry building, factories, fitness center, and many other applications.



**WATT/CCT
SELECTABLE**

MESH RANGE 60ft node-to-node and 500ft node-to-Gateway (Commissioning)

FEATURES

- Optical design, greatly improved the light utilization an evenness.
- High efficiency LED Driver, voltage AC120-277 .
- Rugged galvanized rolled iron plate housing, better cooling, light quality, LED Tj < 85°C.
- 0-10V dimming.
- 12Vdc auxiliary dimming
- Field install plug and play Bi-Level Sensor.



Bluetooth®
(Option)

Easy field-install motion sensor

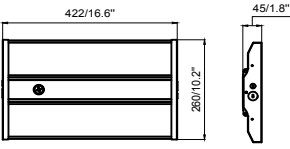
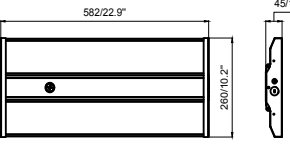
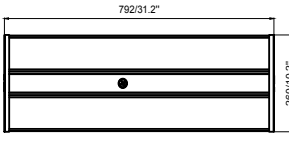
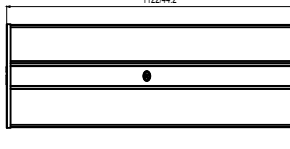
SPECIFICATION

TYPE				
WATTAGE	100W/115W/135W	155W/185W/200W	200W/230W/270W	270W/340W/400W
LUMEN	15923 lm/17709lm/19917lm	23444 lm/26623lm/28094lm	31180 lm/34782lm/39773lm	41668 lm/50558lm/56154lm
EFFICACY	>155 lm/W	>150 lm/W	>150 lm/W	>150 lm/W
CCT	4000K/5000K			
CRI	>80			
FACTORY SETTINGS	135W & 4000K	200W & 4000K	270W & 4000K	400W & 4000K
INPUT VOLTAGE	AC120-277V			
LIGHT ANGLE	93°			
POWER FACTOR	0.98			
DRIVER EFFICACY	90%			
LIFE SPAN	over 75,000 hrs			
WORKING TEMPERATURE	-4°F ~ 122°F			
PROTECTION LEVEL	Damp location			
CABLE	Input connect, No cable			
WARRANTY	5 year limited			

Selectable Compact LED Linear High Bay *Lighting and Power Technologies LLC*

Wattage: 100W,115W, 135W ; 155W, 185W, 200W ; 200W, 230W, 270W; 270W, 340W, 400W

DIMENSION






1.4FT		1.9FT		2.6FT		3.7FT	
	422/16.6"		582/22.9"		792/31.2"		1122/44.2"
	45/1.8"		45/1.8"		45/1.8"		45/1.8"
	260/10.2"		260/10.2"		260/10.2"		260/10.2"
WATTAGE	100W,115W,135W	WATTAGE	155W,185W,200W	WATTAGE	200W,230W,270W	WATTAGE	270W,340W,400W
GR. WEIGHT	5.7 lbs	GR. WEIGHT	7.3 lbs	GR. WEIGHT	10.4 lbs	GR. WEIGHT	13.7 lbs
BOX DIM.	17.3"x10.6"x2"(1pcs/CTN)	BOX DIM.	23.6"x10.6"x2"(1pcs/CTN)	BOX DIM.	31.9"x10.6"x2"(1pcs/CTN)	BOX DIM.	44.9"x10.6"x2"(1pcs/CTN)
	17.8"x8.7"x11"(4pcs/CTN)		24.1"x8.7"x11"(4pcs/CTN)		32.4"x8.7"x11"(4pcs/CTN)		45.9"x11.1"x4.3"(4pcs/CTN)

EMERGENCY BACK-UP (SOLD SEPARATELY)



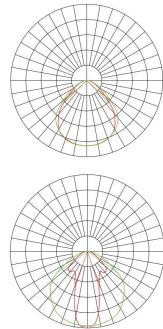
WSD-EMS8W27-XX / WSD-EMS15W27-XX / WSD-EMS20W27-XX
8W/15W/20W Emergency Backup Battery LED Driver

CONTROL (SOLD SEPARATELY)

				
ANT-5-4T-BLE* Bluetooth Microwave Motion Sensor	BRI-PP01* Fixture Controller for Bluetooth Sensor (See full details)	ANT-5-4T Bi-level microwave Sensor	ANT-6-4T PIR Motion Sensor	RC Remote Controller

LIGHT DISTRIBUTION CHANGEABLE (OPTION)

General and Aisle light distribution changeable by quickly replacing lens.

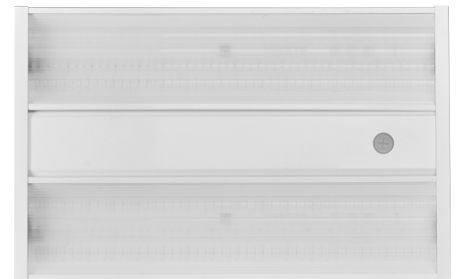


Conventional luminous Angle:

PMMA LENS: 90X95°-1.4ft
PMMA LENS: 90X95°-1.9ft
PMMA LENS: 90X95°-2.6ft
PMMA LENS: 90X95°-3.7ft

Extremely narrow luminous Angle:

PMMA LENS: 40X110°-1.4ft
PMMA LENS: 40X110°-1.9ft
PMMA LENS: 40X110°-2.6ft
PMMA LENS: 40X110°-3.7ft



ORDERING INFORMATION

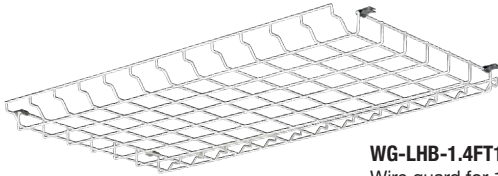
LPT	1.4F	100W	27	45K	E	G2
PRODUCT	SIZE	WATTAGE	VOLTAGE	CCT	CONTROL	UPDATE
LHB (Linear Hig Bay)	1.4F (1.4-foot) 1.9F (1.9-foot) 2.6F (2.6-foot) 3.7F (3.7-foot)	100W - (100W) 115W - (115W) 135W - (135W) 155W - (155W) 185W - (185W) 200W - (200W) 230W - (230W) 270W - (270W) 340W - (340W) 400W - (400W)	27 (AC120-277V)	45K - (4000K/5000K)	M Motion Sensor	Second generation product

Selectable Compact LED Linear High Bay *Lighting and Power Technologies LLC*

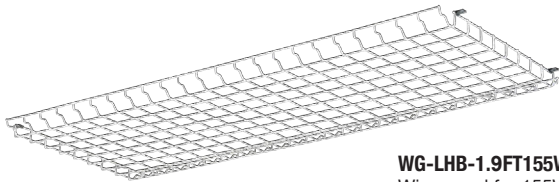
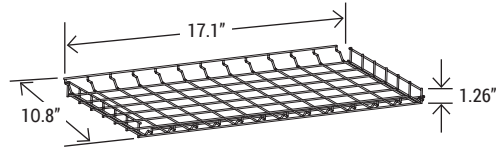
Lighting and Power
Technologies LLC

Wattage: 100W,115W, 135W ; 155W, 185W, 200W ; 200W, 230W, 270W; 270W, 340W, 400W

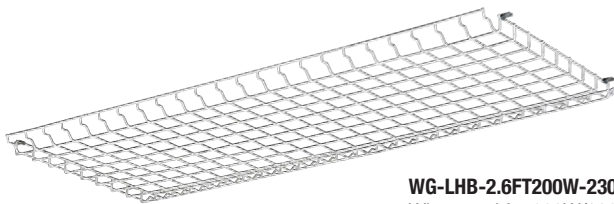
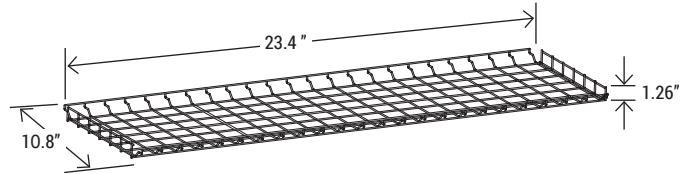
WIRE GUARD (SOLD SEPARATELY)



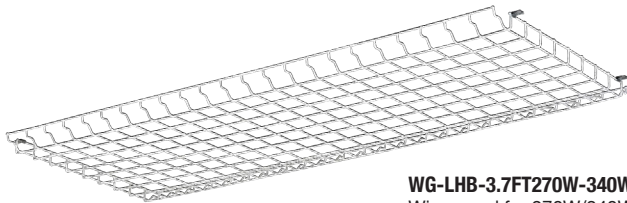
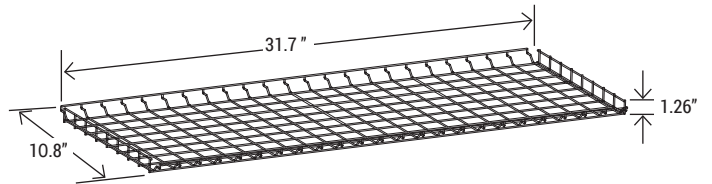
WG-LHB-1.4FT100W-115W-135W
Wire guard for 100W/115W/135W



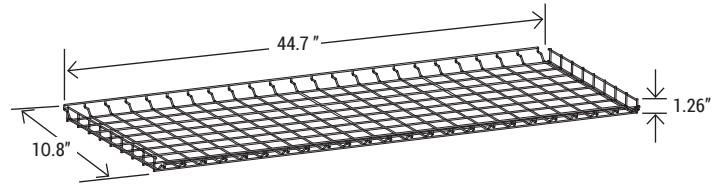
WG-LHB-1.9FT155W-185W-200W
Wire guard for 155W/185W/200W



WG-LHB-2.6FT200W-230W-270W
Wire guard for 200W/230W/270W



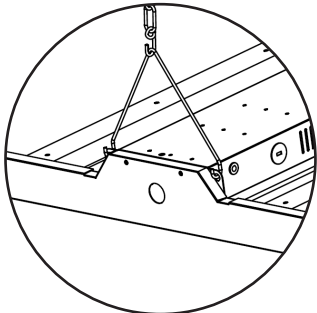
WG-LHB-3.7FT270W-340W-400W
Wire guard for 270W/340W/400W



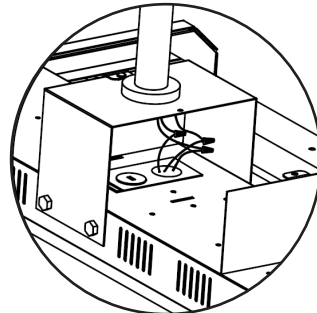
INCLUDED IN THE PACKAGE

MOUNTING OPTION

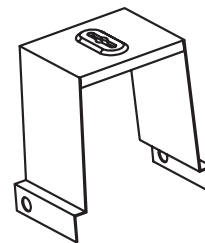
SURFACE MOUNT KIT (SOLD SEPARATELY)



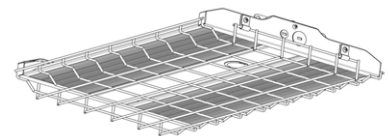
CHAINS/HOOK



J-BOX OPTION



SURFACE MOUNT KIT-LHBG2
Surface mount kit



Wire guards

Selectable Compact LED Linear High Bay *Lighting and Power* Technologies LLC

Wattage: 100W,115W, 135W ; 155W, 185W, 200W ; 200W, 230W, 270W; 270W, 340W, 400W



ANT-5-4T-BLE

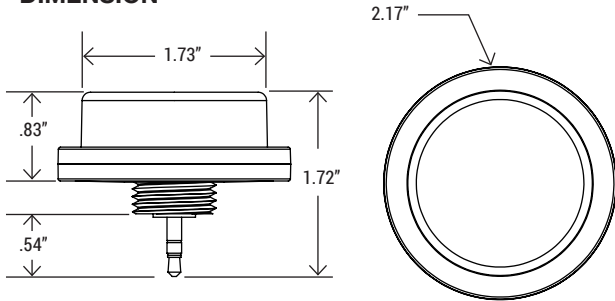
Plug and Play Network BLE Nodes and Sensor

The Bluetooth Lighting Control provides automated individual and group control of light fixtures using on sensors and Bluetooth mesh technology. The ANT-5-4T-BLE mounted in an Commercial lighting fixture and provides multi-level control solution based on motion and or daylight harvesting contribution.

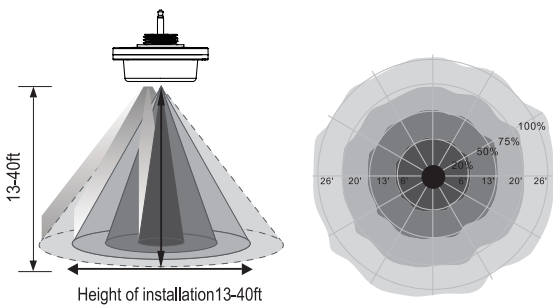
FEATURES

- Lighting controls meet design lights consortium (DLC) networked lighting control system technical requirements(Version NLC5 June 23, 2020).
- Quick connect and adjust different sensor angle.
- Easy commissioning with Tuya/Sharkward App (Available in IOS and Android).
- Bluetooth network with Saas working by computer
- Individual addressability and/or grouping.
- Time clock scheduling for individual lights, groups or scenes.
- Multi-level dimming: manual ON/OFF automatic ON/OFF, and automatic partial ON/OFF, daylight harvesting control capability.

DIMENSION



COVERAGE



SPECIFICATION

NETWORK BLE MESH	Yes
DAYLIGHT HARVESTING	Yes
MICROWAVE MOTION SENSOR	Yes
DETECTION MODE	Occupancy/Vancancy/Bi-level in 1 Unit
OPERATING VOLTAGE	12-24V DC
OPERATING CURRENT	>50mA
SINKING CURRENT	max. 25mA
CONTROL OUTPUT	0-10V
RADIO FREQUENCY	2.4GHz ± 75MHz
WIRELESS STANDARD	BLE 4.2 MESH IEEE 802.15.1
PROGRAMMING	Tuya/Sharkward App mobile app(IOS and android) or Saas
CYBERSECURITY	UL 1376
ENCRYPTION	AES 128-bit
MESH RANGE	60ft node-to-node and 500ft node-to-device (Commissioning)
SAFETY	cULus Listed
FCC	FCC ID:2AVMOANT-5-X
OPERATING TEMP.	-40°F- +158°F (-40°C - +70°C)
IP RATING	IP65
WARRANTY	5 year limited

MICROWAVE SENSOR FEATURES

DAYLIGHT HARVESTING	On/Off
MOTION SENSING	On/Off
FIRST TIME DELAY	1-59 mins/infinite
SECOND TIME DELAY	0-59 mins/infinite
DIM LEVEL	0-100%
MOUNTING HEIGHT	13-40ft
DETECTION RANGE	up to 52ft diameter
DETECTION: HORIZONTAL	360°
DETECTION: VERTICAL	90°

COMMISSIONING

Tuya/Sharkward mobile App makes it easy to pair devices, create groups, set scenes/schedules, customize dimming levels, and adjust high trim based on application needs.

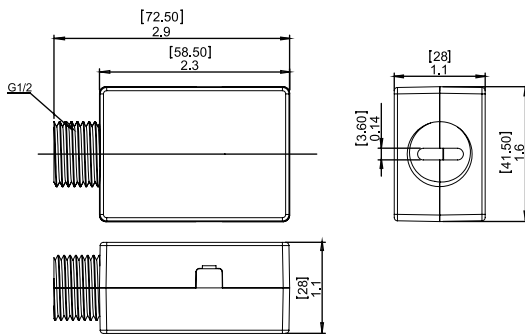


Selectable Compact LED Linear High Bay *Lighting and Power Technologies LLC*

Wattage: 100W,115W, 135W ; 155W, 185W, 200W ; 200W, 230W, 270W; 270W, 340W, 400W



DIMENSION



COMMISSIONING

Tuya/Sharkward mobile App makes it easy to pair devices, create groups, set scenes/schedules, customize dimming levels, and adjust high trim based on application needs.



BRI-PP01

Fixture Controller for Bluetooth Sensor

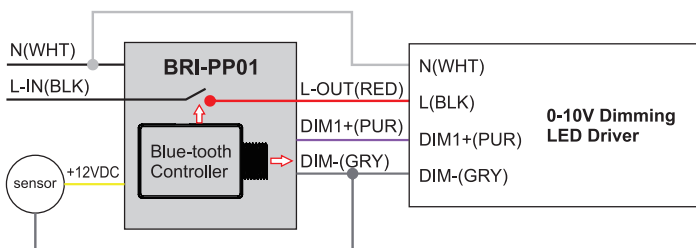
The Bluetooth Lighting Control provides automated individual and group control of light fixtures using on sensors and Bluetooth sigmesh technology. The BRI-PP01 mounted in an Indoor lighting fixture and provides multi-level control solution based on motion and or daylight harvesting contribution.

FEATURES

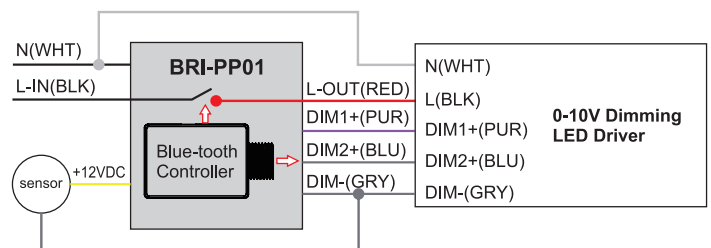
- Lighting controls meet design lights consortium (DLC) networked lighting control system technical requirements (Version NLC5)
- Quick connect and adjust different sensor angle
- Easy commissioning with Tuya/Sharkward App (Available in IOS and Android)
- Bluetooth network with Saas working by computer
- Individual addressability and/or grouping
- Time clock scheduling for individual lights, groups or scenes
- Multi-level dimming: manual

SPECIFICATION	
OPERATING VOLTAGE	120-277VAC, 50-60Hz
MAXIMUM LOAD	5A, 600W Max. for LED driver only
CONTROL OUTPUT	2-channel 0-10V output signals ,1 for dimming, 1 for CCT
SINKING CURRENT	max. 25mA
RADIO FREQUENCY	2.4GHz ± 75MHz
WIRELESS STANDARD	BLE 4.2 MESH IEEE 802.15.1
PROGRAMMING	Tuya/Sharkward App mobile app (IOS and Android) or Saas
CYBER SECURITY	UL 1376
ENCRYPTION	AES 128-bit
MESH RANGE	60ft node-to-node and 500ft node-to-device (Commissioning)
SAFETY	cULus Listed
FCC	FCC ID
OPERATING TEMP.	-40°F - +158°F (-40°C - +70°C)
WARRANTY	5 year limited

WIRING DIAGRAM



One-channel Brightness Dimming Application

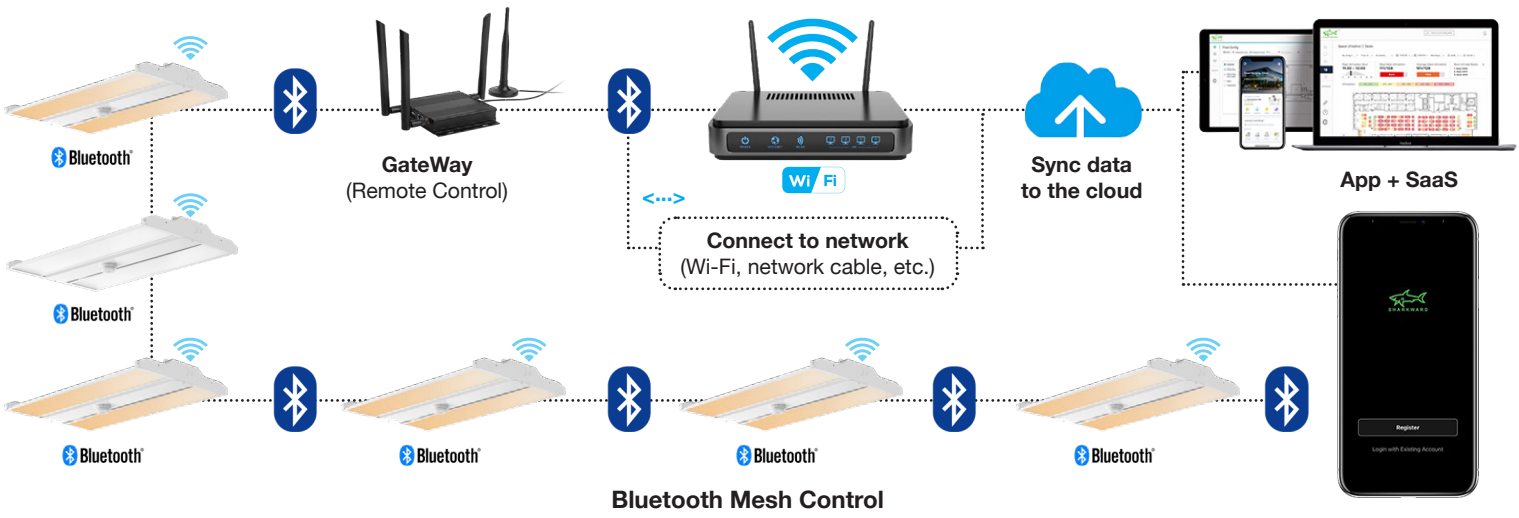


Two-channel Color Tuning Application

Selectable Compact LED Linear High Bay *Lighting and Power Technologies LLC*

Wattage: 100W,115W, 135W ; 155W, 185W, 200W ; 200W, 230W, 270W; 270W, 340W, 400W

GATEWAY REMOTE CONTROL



INDUSTRIAL GATEWAY

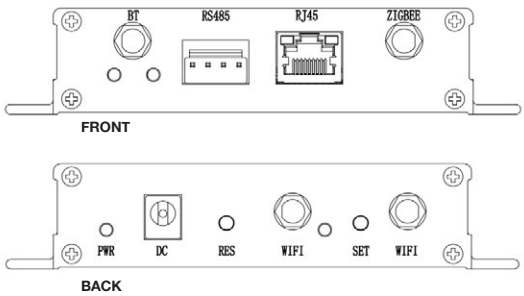
SK18WG
Smart Engineering Gateway

- One gateway can control max. 200pcs Bluetooth Motion sensors.
- This distance is for reference only, the construction site conditions are different, and the distance may deviate.
- The gateway can cover up to 500ft distance.
- Bluetooth between Bluetooth communication up to 60ft.

Consult factory for more details.

SPECIFICATION

INPUT VOLTAGE	100-240VAC, 50-60Hz
OUTPUT VOLTAGE	5V= 2000MA
WORKING TEMPERATURE	-10°C ~ 45°C
STORAGE TEMPERATURE	-20°C ~ 60°C
WORKING HUMIDITY	10%-90%RH (No condensation)
STORAGE HUMIDITY	5%-90%RH (No condensation)
DIMENSIONS	4.25"x5.18"x1.07" (LxWxH)
WEIGHT	0.81 lbs



RF CHARACTERISTICS

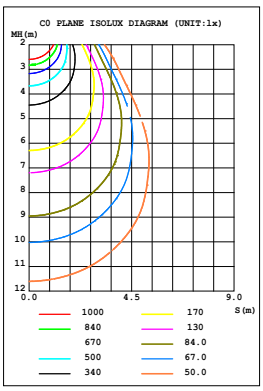
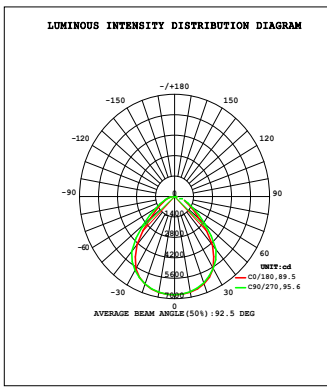
	WIFI	BLUETOOTH	ZIGBEE
WIRELESS FREQUENCY	2.400 ~2.4835 GHz	2.400 ~ 2.4835 GHz	2.400 ~ 2.480 GHz
NETWORK STANDARD	WIFI 802.11 b/g/n	IEEE 802.15	IEEE 802.15.4
TRANSMIT POWER	20dBm	8dBm	Nominal 10dBm, up to 19dBm
CHANNELS	CH1-CH14	CH0 - CH39	CH11-CH26
TRANSFER SPEED	11b:1,2,5,5, 11 (Mbps) 11g:6,9,12,18,24,36,48,54 (Mbps) 11n:HT20 MCS0~7 11n:HT40 MCS0~7	1Mbps/2Mbps	250Kbps

Wattage: 100W,115W, 135W ; 155W, 185W, 200W ; 200W, 230W, 270W; 270W, 340W, 400W

PHOTOMETRICS

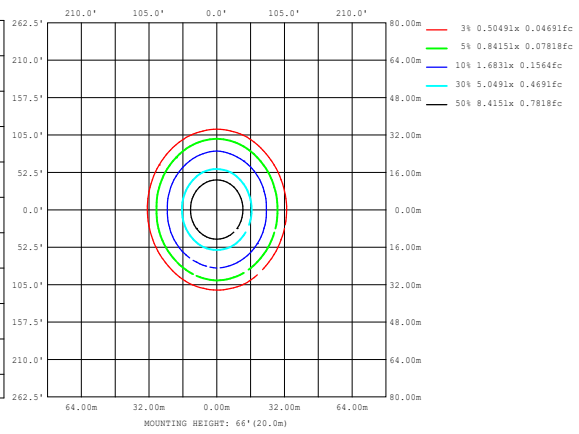
For complete IES files, please visit our website.

LHB-1.4F100/115/135W27-45K-G2

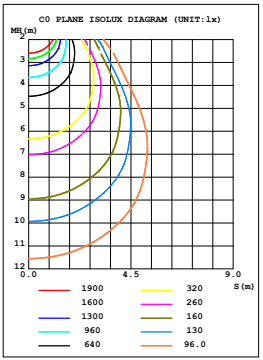
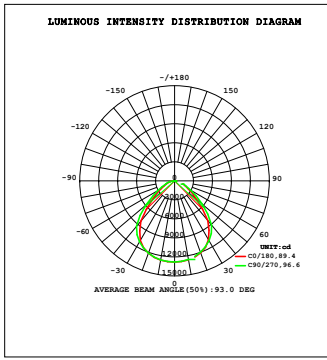


Flux out:10059 lm

Height	Evgs,Emax	Angle:89.50deg	Diameter
1m	3202,6734lx		198.27cm
2m	800.5,1684lx		396.55cm
3m	355.8,746.2lx		594.82cm
4m	200.1,420.9lx		793.09cm
5m	128.1,269.4lx		991.37cm
6m	88.94,187.1lx		1189.64cm
7m	65.34,137.4lx		1387.91cm
8m	50.03,105.2lx		1586.19cm
9m	39.53,83.14lx		1784.46cm
10m	32.02,67.34lx		1982.73cm

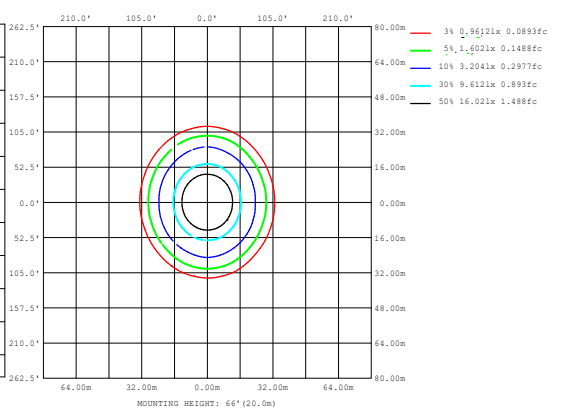


LHB-1.9F155/185/200W27-45K-G2

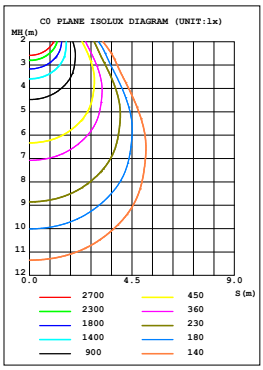
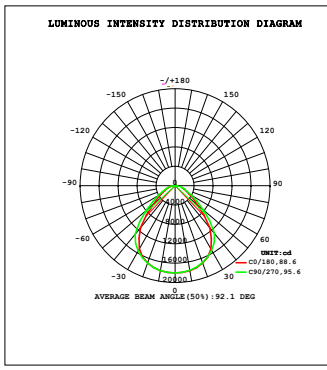


Flux out:19177 lm

Height	Evgs,Emax	Angle:89.31deg	Diameter
1m	6104,12816lx		197.62cm
2m	1526,3204lx		395.23cm
3m	678.3,1424lx		592.85cm
4m	381.5,801.0lx		790.47cm
5m	244.2,512.7lx		988.08cm
6m	169.6,356.0lx		1185.70cm
7m	124.6,261.6lx		1383.32cm
8m	95.38,200.3lx		1580.94cm
9m	75.36,158.2lx		1778.55cm
10m	61.04,128.2lx		1976.17cm

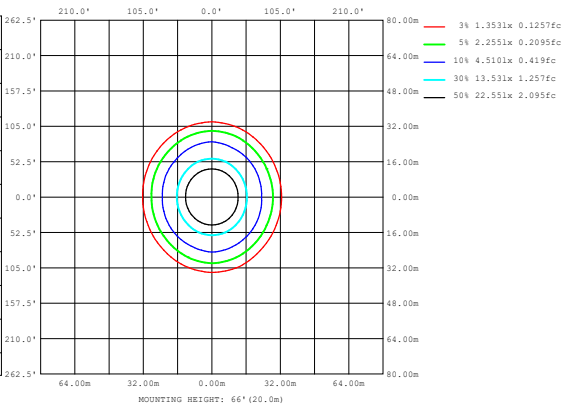


LHB-2.6F200/230/270W27-45K-G2



Flux out:26819 lm

Height	Evgs,Emax	Angle:88.48deg	Diameter
1m	8537,18042lx		194.77cm
2m	2134,4510lx		389.55cm
3m	948.5,2005lx		584.32cm
4m	533.5,1128lx		779.10cm
5m	341.5,721.7lx		973.87cm
6m	237.1,501.2lx		1168.65cm
7m	174.2,368.2lx		1363.42cm
8m	133.4,281.9lx		1558.20cm
9m	105.4,222.7lx		1752.97cm
10m	85.37,180.4lx		1947.75cm



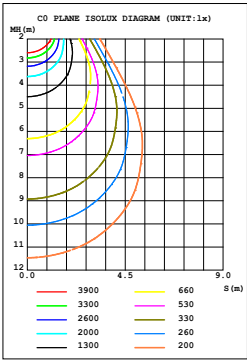
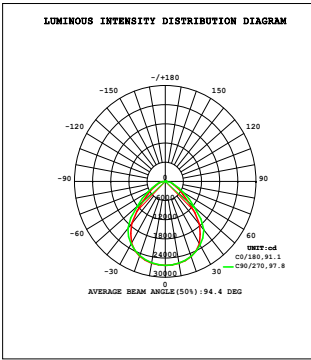
Selectable Compact LED Linear High Bay *Lighting and Power Technologies LLC*

Wattage: 100W,115W, 135W ; 155W, 185W, 200W ; 200W, 230W, 270W; 270W, 340W, 400W

PHOTOMETRICS

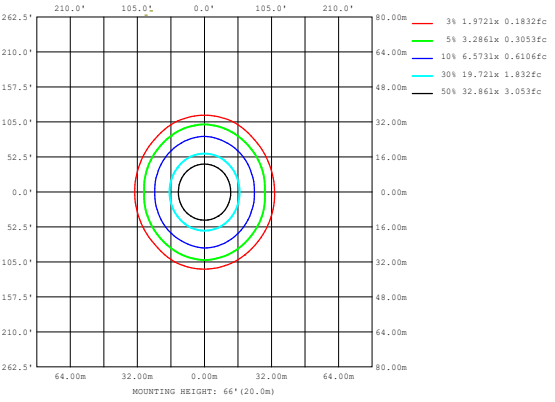
For complete IES files, please visit our website.

LHB-3.7F270/340/400W27-45K-G2



Flux out: 45122 lm

Height	Avg, Emax	Angle: 91.13deg	Diameter
1m	10113, 26306lx		203.99cm
2m	2528, 6576lx		407.99cm
3m	1124, 2923lx		611.98cm
4m	632.0, 1644lx		815.98cm
5m	404.5, 1052lx		1019.97cm
6m	280.9, 730.7lx		1223.97cm
7m	206.4, 536.8lx		1427.96cm
8m	158.0, 411.0lx		1631.95cm
9m	124.8, 324.8lx		1835.95cm
10m	101.1, 263.1lx		2039.94cm



Sharkward Lighting Control System



Google Play



Android



iOS