

Selectable Compact LED Linear High Bay *Lighting and Power Technologies LLC*

Wattage: 100W,115W, 135W ; 155W, 185W, 200W ; 200W, 230W, 270W; 270W, 340W, 400W



CODE: 90283-26-S

The Linear High Bay with its all-in-one, lightweight and slim with multiple mounting situations available put it at the top of the list for any high ceiling area where super bright light is needed. The LED Linear High bay Light Series can be widely used for indoor excellent for warehouse, industry building, factories, fitness center, and many other applications.



**WATT/CCT
SELECTABLE**

MESH RANGE 60ft node-to-node and 500ft node-to-Gateway (Commissioning)

FEATURES

- Optical design, greatly improved the light utilization an evenness.
- High efficiency LED Driver, voltage AC120-277 .
- Rugged galvanized rolled iron plate housing, better cooling, light quality, LED Tj < 85°C.
- 0-10V dimming.
- 12Vdc auxiliary dimming
- Field install plug and play Bi-Level Sensor.



Bluetooth®
(Option) Easy field-install motion sensor

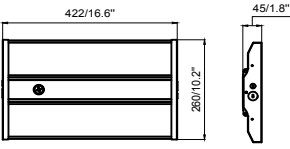
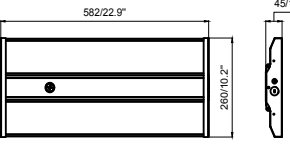
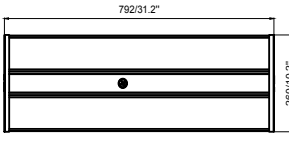
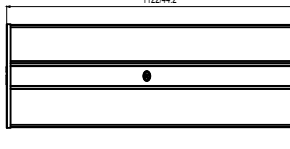




SPECIFICATION

TYPE				
WATTAGE	100W/115W/135W	155W/185W/200W	200W/230W/270W	270W/340W/400W
LUMEN	15923 lm/17709lm/19917lm	23444 lm/26623lm/28094lm	31180 lm/34782lm/39773lm	41668 lm/50558lm/56154lm
EFFICACY	>155 lm/W	>150 lm/W	>150 lm/W	>150 lm/W
CCT	4000K/5000K			
CRI	>80			
FACTORY SETTINGS	135W & 4000K	200W & 4000K	270W & 4000K	400W & 4000K
INPUT VOLTAGE	AC120-277V			
LIGHT ANGLE	93°			
POWER FACTOR	0.98			
DRIVER EFFICACY	90%			
LIFE SPAN	over 75,000 hrs			
WORKING TEMPERATURE	-4°F ~ 122°F			
PROTECTION LEVEL	Damp location			
CABLE	Input connect, No cable			
WARRANTY	5 year limited			

Selectable Compact LED Linear High Bay *Lighting and Power Technologies LLC*

Wattage: 100W,115W, 135W ; 155W, 185W, 200W ; 200W, 230W, 270W; 270W, 340W, 400W

DIMENSION



1.4FT		1.9FT		2.6FT		3.7FT	
	422/16.6"		582/22.9"		792/31.2"		1122/44.2"
	45/1.8"		45/1.8"		45/1.8"		45/1.8"
WATTAGE	100W,115W,135W	WATTAGE	155W,185W,200W	WATTAGE	200W,230W,270W	WATTAGE	270W,340W,400W
GR. WEIGHT	5.7 lbs	GR. WEIGHT	7.3 lbs	GR. WEIGHT	10.4 lbs	GR. WEIGHT	13.7 lbs
BOX DIM.	17.3"x10.6"x2"(1pcs/CTN)	BOX DIM.	23.6"x10.6"x2"(1pcs/CTN)	BOX DIM.	31.9"x10.6"x2"(1pcs/CTN)	BOX DIM.	44.9"x10.6"x2"(1pcs/CTN)
	17.8"x8.7"x11"(4pcs/CTN)		24.1"x8.7"x11"(4pcs/CTN)		32.4"x8.7"x11"(4pcs/CTN)		45.9"x11.1"x4.3"(4pcs/CTN)

EMERGENCY BACK-UP (SOLD SEPARATELY)



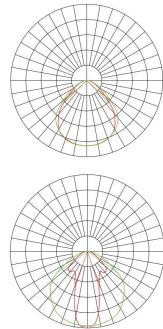
WSD-EMS8W27-XX / WSD-EMS15W27-XX / WSD-EMS20W27-XX
8W/15W/20W Emergency Backup Battery LED Driver

CONTROL (SOLD SEPARATELY)

				
ANT-5-4T-BLE* Bluetooth Microwave Motion Sensor	BRI-PP01* Fixture Controller for Bluetooth Sensor (See full details)	ANT-5-4T Bi-level microwave Sensor	ANT-6-4T PIR Motion Sensor	RC Remote Controller

LIGHT DISTRIBUTION CHANGEABLE (OPTION)

General and Aisle light distribution changeable by quickly replacing lens.

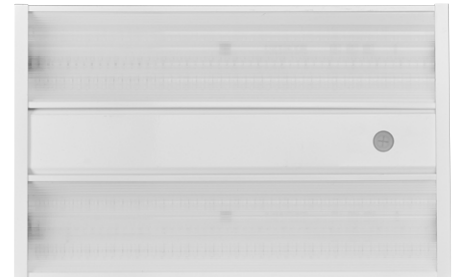


Conventional luminous Angle:

PMMA LENS: 90X95°-1.4ft
PMMA LENS: 90X95°-1.9ft
PMMA LENS: 90X95°-2.6ft
PMMA LENS: 90X95°-3.7ft

Extremely narrow luminous Angle:

PMMA LENS: 40X110°-1.4ft
PMMA LENS: 40X110°-1.9ft
PMMA LENS: 40X110°-2.6ft
PMMA LENS: 40X110°-3.7ft



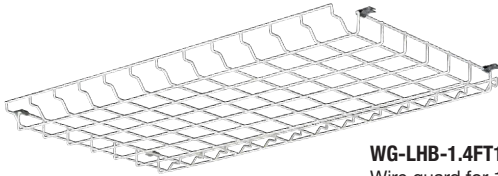
ORDERING INFORMATION

LPT	1.4F	100W	27	45K	E	G2
PRODUCT	SIZE	WATTAGE	VOLTAGE	CCT	CONTROL	UPDATE
LHB (Linear Hig Bay)	1.4F (1.4-foot) 1.9F (1.9-foot) 2.6F (2.6-foot) 3.7F (3.7-foot)	100W - (100W) 115W - (115W) 135W - (135W) 155W - (155W) 185W - (185W) 200W - (200W) 230W - (230W) 270W - (270W) 340W - (340W) 400W - (400W)	27 (AC120-277V)	45K - (4000K/5000K)	M Motion Sensor	Second generation product

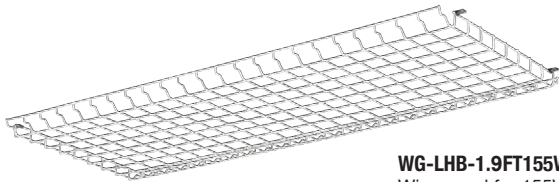
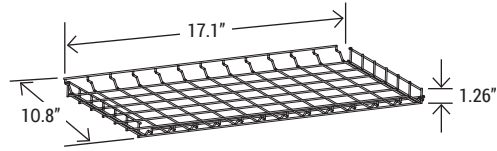
Selectable Compact LED Linear High Bay *Lighting and Power* Technologies LLC

Wattage: 100W,115W, 135W ; 155W, 185W, 200W ; 200W, 230W, 270W; 270W, 340W, 400W

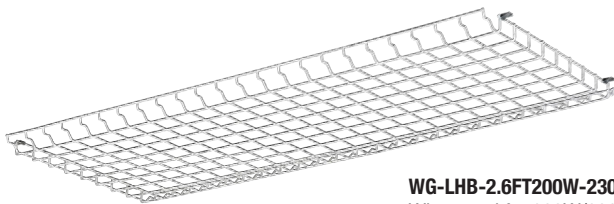
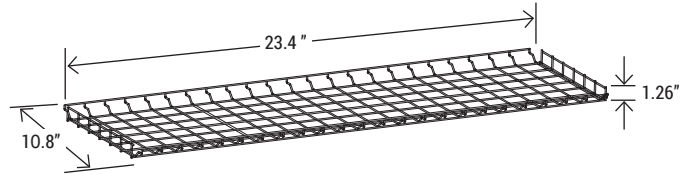
WIRE GUARD (SOLD SEPARATELY)



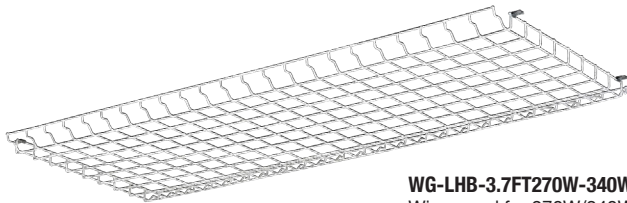
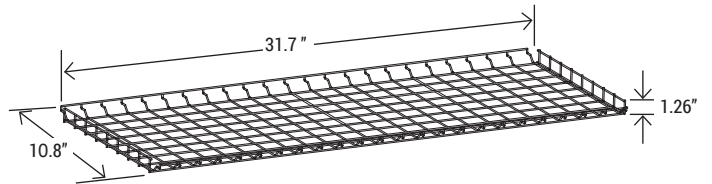
WG-LHB-1.4FT100W-115W-135W
Wire guard for 100W/115W/135W



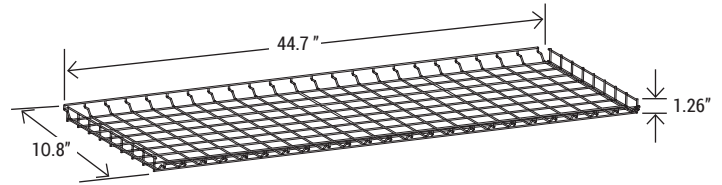
WG-LHB-1.9FT155W-185W-200W
Wire guard for 155W/185W/200W



WG-LHB-2.6FT200W-230W-270W
Wire guard for 200W/230W/270W



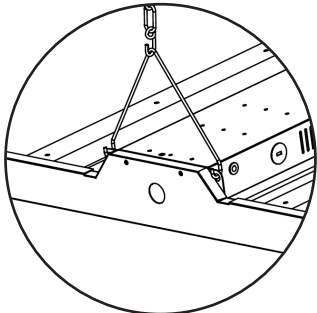
WG-LHB-3.7FT270W-340W-400W
Wire guard for 270W/340W/400W



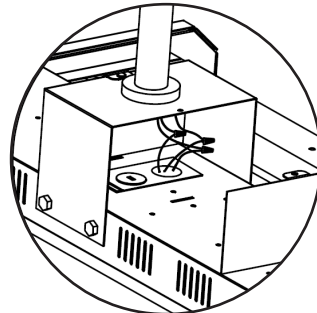
INCLUDED IN THE PACKAGE

MOUNTING OPTION

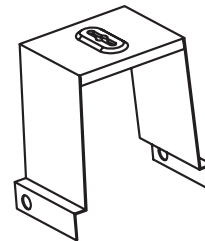
SURFACE MOUNT KIT (SOLD SEPARATELY)



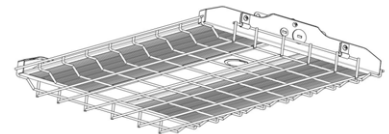
CHAINS/HOOK



J-BOX OPTION



SURFACE MOUNT KIT-LHBG2
Surface mount kit



Wire guards

Selectable Compact LED Linear High Bay *Lighting and Power* Technologies LLC

Wattage: 100W,115W, 135W ; 155W, 185W, 200W ; 200W, 230W, 270W; 270W, 340W, 400W



ANT-5-4T-BLE

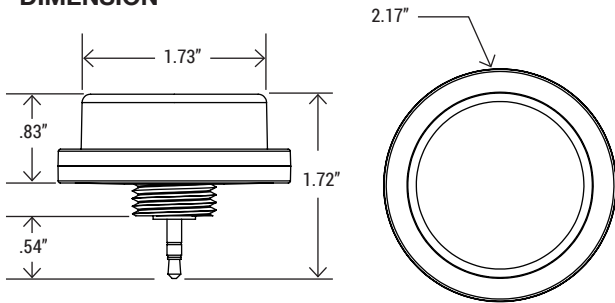
Plug and Play Network BLE Nodes and Sensor

The Bluetooth Lighting Control provides automated individual and group control of light fixtures using on sensors and Bluetooth mesh technology. The ANT-5-4T-BLE mounted in an Commercial lighting fixture and provides multi-level control solution based on motion and or daylight harvesting contribution.

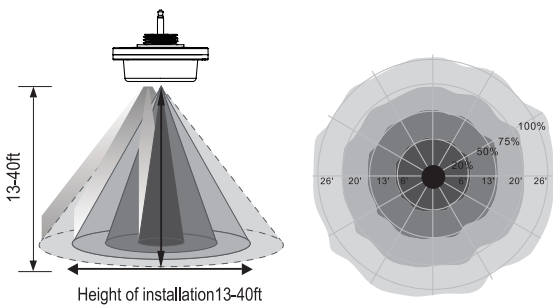
FEATURES

- Lighting controls meet design lights consortium (DLC) networked lighting control system technical requirements(Version NLC5 June 23, 2020).
- Quick connect and adjust different sensor angle.
- Easy commissioning with Tuya/Sharkward App (Available in IOS and Android).
- Bluetooth network with Saas working by computer
- Individual addressability and/or grouping.
- Time clock scheduling for individual lights, groups or scenes.
- Multi-level dimming: manual ON/OFF automatic ON/OFF, and automatic partial ON/OFF, daylight harvesting control capability.

DIMENSION



COVERAGE



SPECIFICATION

NETWORK BLE MESH	Yes
DAYLIGHT HARVESTING	Yes
MICROWAVE MOTION SENSOR	Yes
DETECTION MODE	Occupancy/Vancancy/Bi-level in 1 Unit
OPERATING VOLTAGE	12-24V DC
OPERATING CURRENT	>50mA
SINKING CURRENT	max. 25mA
CONTROL OUTPUT	0-10V
RADIO FREQUENCY	2.4GHz ± 75MHz
WIRELESS STANDARD	BLE 4.2 MESH IEEE 802.15.1
PROGRAMMING	Tuya/Sharkward App mobile app(IOS and android) or Saas
CYBERSECURITY	UL 1376
ENCRYPTION	AES 128-bit
MESH RANGE	60ft node-to-node and 500ft node-to-device (Commissioning)
SAFETY	cULus Listed
FCC	FCC ID:2AVMOANT-5-X
OPERATING TEMP.	-40°F- +158°F (-40°C - +70°C)
IP RATING	IP65
WARRANTY	5 year limited

MICROWAVE SENSOR FEATURES

DAYLIGHT HARVESTING	On/Off
MOTION SENSING	On/Off
FIRST TIME DELAY	1-59 mins/infinite
SECOND TIME DELAY	0-59 mins/infinite
DIM LEVEL	0-100%
MOUNTING HEIGHT	13-40ft
DETECTION RANGE	up to 52ft diameter
DETECTION: HORIZONTAL	360°
DETECTION: VERTICAL	90°

COMMISSIONING

Tuya/Sharkward mobile App makes it easy to pair devices, create groups, set scenes/schedules, customize dimming levels, and adjust high trim based on application needs.



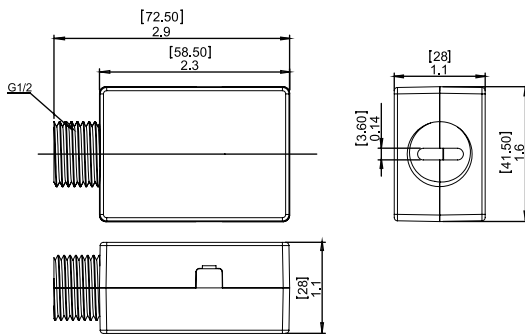
Selectable Compact LED Linear High Bay *Lighting and Power Technologies LLC*

Lighting and Power
Technologies LLC

Wattage: 100W,115W, 135W ; 155W, 185W, 200W ; 200W, 230W, 270W; 270W, 340W, 400W



DIMENSION



COMMISSIONING

Tuya/Sharkward mobile App makes it easy to pair devices, create groups, set scenes/schedules, customize dimming levels, and adjust high trim based on application needs.



BRI-PP01

Fixture Controller for Bluetooth Sensor

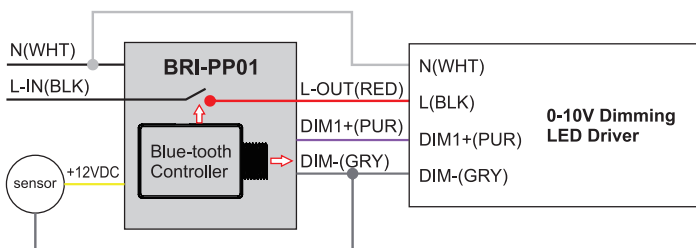
The Bluetooth Lighting Control provides automated individual and group control of light fixtures using on sensors and Bluetooth sigmesh technology. The BRI-PP01 mounted in an Indoor lighting fixture and provides multi-level control solution based on motion and or daylight harvesting contribution.

FEATURES

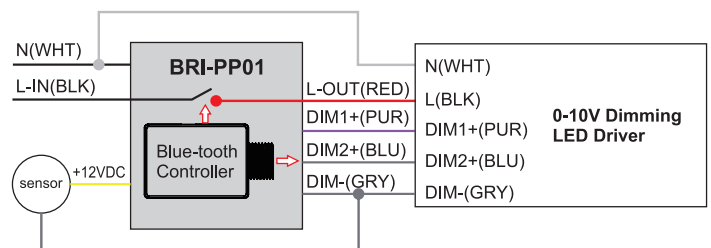
- Lighting controls meet design lights consortium (DLC) networked lighting control system technical requirements (Version NLC5)
- Quick connect and adjust different sensor angle
- Easy commissioning with Tuya/Sharkward App (Available in IOS and Android)
- Bluetooth network with Saas working by computer
- Individual addressability and/or grouping
- Time clock scheduling for individual lights, groups or scenes
- Multi-level dimming: manual

SPECIFICATION	
OPERATING VOLTAGE	120-277VAC, 50-60Hz
MAXIMUM LOAD	5A, 600W Max. for LED driver only
CONTROL OUTPUT	2-channel 0-10V output signals ,1 for dimming, 1 for CCT
SINKING CURRENT	max. 25mA
RADIO FREQUENCY	2.4GHz ± 75MHz
WIRELESS STANDARD	BLE 4.2 MESH IEEE 802.15.1
PROGRAMMING	Tuya/Sharkward App mobile app (IOS and Android) or Saas
CYBER SECURITY	UL 1376
ENCRYPTION	AES 128-bit
MESH RANGE	60ft node-to-node and 500ft node-to-device (Commissioning)
SAFETY	cULus Listed
FCC	FCC ID
OPERATING TEMP.	-40°F - +158°F (-40°C - +70°C)
WARRANTY	5 year limited

WIRING DIAGRAM



One-channel Brightness Dimming Application



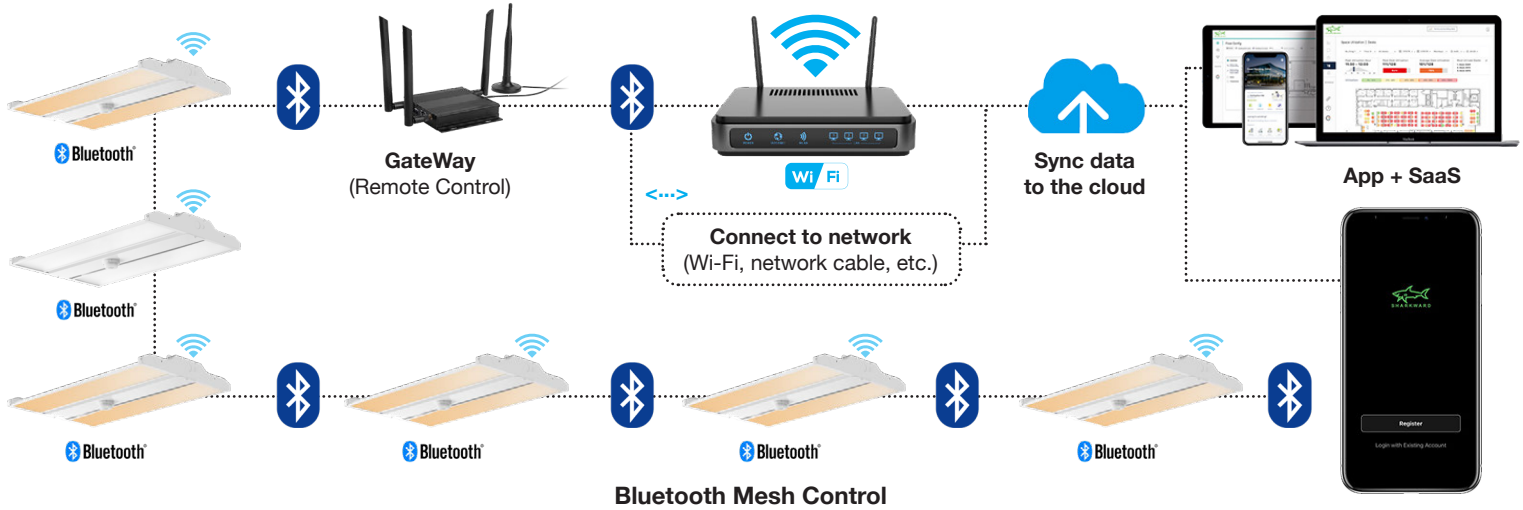
Two-channel Color Tuning Application

Selectable Compact LED Linear High Bay *Lighting and Power*

Technologies LLC

Wattage: 100W,115W, 135W ; 155W, 185W, 200W ; 200W, 230W, 270W; 270W, 340W, 400W

GATEWAY REMOTE CONTROL



INDUSTRIAL GATEWAY

SK18WG

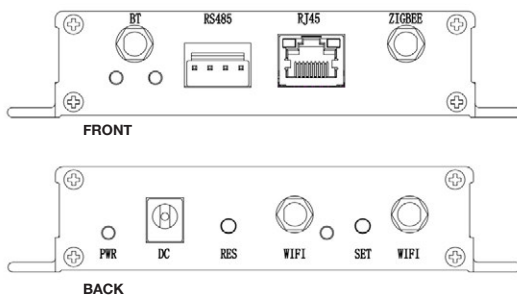
Smart Engineering Gateway

- One gateway can control max. 200pcs Bluetooth Motion sensors.
- This distance is for reference only, the construction site conditions are different, and the distance may deviate.
- The gateway can cover up to 500ft distance.
- Bluetooth between Bluetooth communication up to 60ft.

Consult factory for more details.

SPECIFICATION

INPUT VOLTAGE	100-240VAC, 50-60Hz
OUTPUT VOLTAGE	5V= 2000MA
WORKING TEMPERATURE	-10°C ~ 45°C
STORAGE TEMPERATURE	-20°C ~ 60°C
WORKING HUMIDITY	10%-90%RH (No condensation)
STORAGE HUMIDITY	5%-90%RH (No condensation)
DIMENSIONS	4.25"×5.18"×1.07" (L×W×H)
WEIGHT	0.81 lbs



RF CHARACTERISTICS

	WIFI	BLUETOOTH	ZIGBEE
WIRELESS FREQUENCY	2.400 ~2.4835 GHz	2.400 ~ 2.4835 GHz	2.400 ~ 2.480 GHz
NETWORK STANDARD	WIFI 802.11 b/g/n	IEEE 802.15	IEEE 802.15.4
TRANSMIT POWER	20dBm	8dBm	Nominal 10dBm, up to 19dBm
CHANNELS	CH1-CH14	CH0 - CH39	CH11-CH26
TRANSFER SPEED	11b:1,2,5,5, 11 (Mbps) 11g:6,9,12,18,24,36,48,54 (Mbps) 11n:HT20 MCS0~7 11n:HT40 MCS0~7	1Mbps/2Mbps	250Kbps

Lighting and Power Technologies

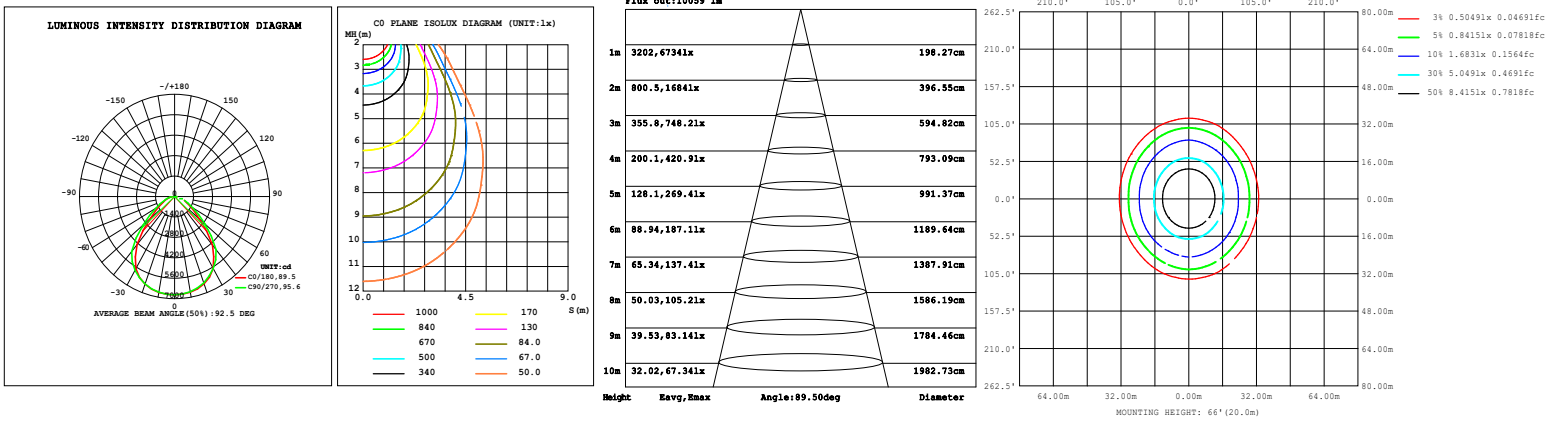
7101 Whisperfield Drive, Plano, TX 75024 Ph: 972-624-5000 Fax: 972-624-5800
sales@lightingandpowertech.com www.lightingandpowertech.com

Wattage: 100W,115W, 135W ; 155W, 185W, 200W ; 200W, 230W, 270W; 270W, 340W, 400W

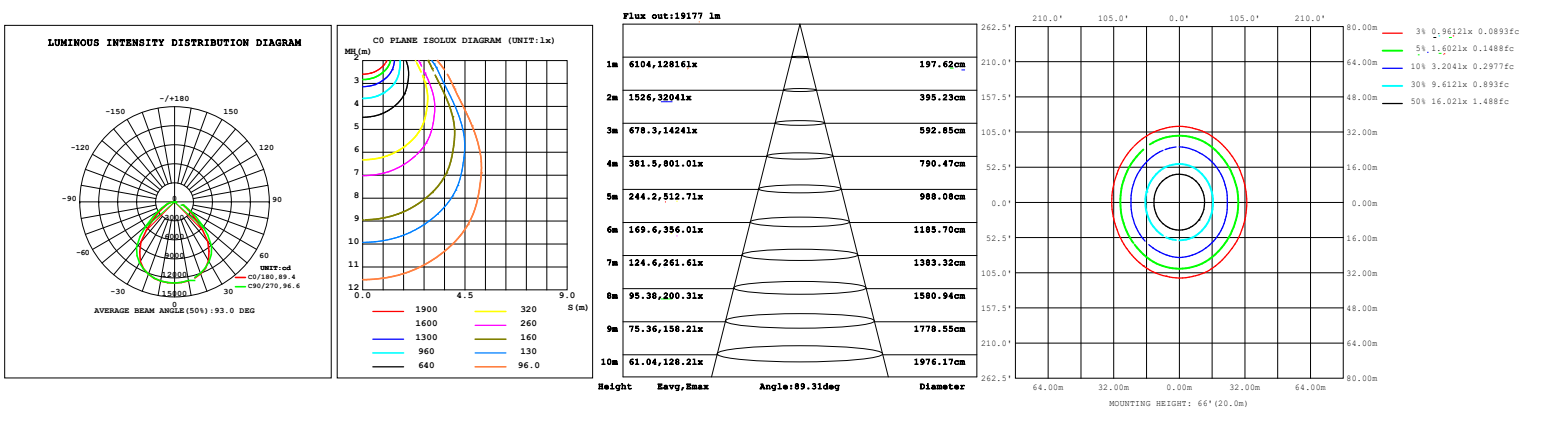
PHOTOMETRICS

For complete IES files, please visit our website.

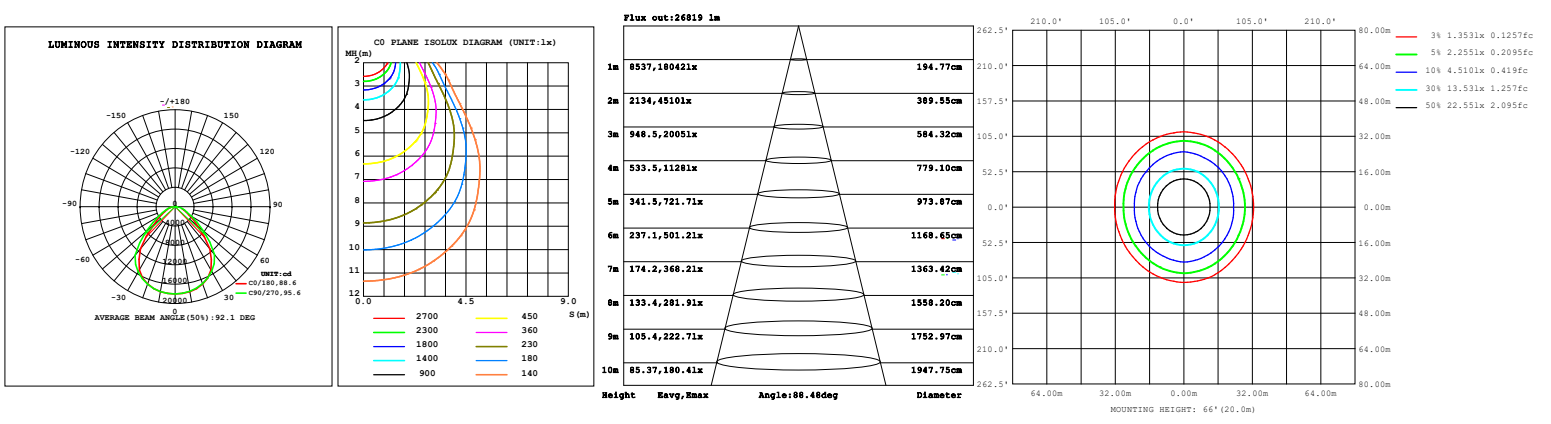
LHB-1.4F100/115/135W27-45K-G2



LHB-1.9F155/185/200W27-45K-G2



LHB-2.6F200/230/270W27-45K-G2



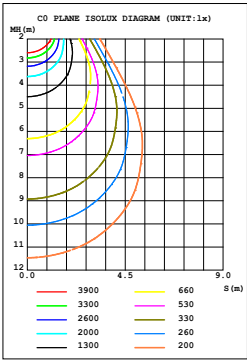
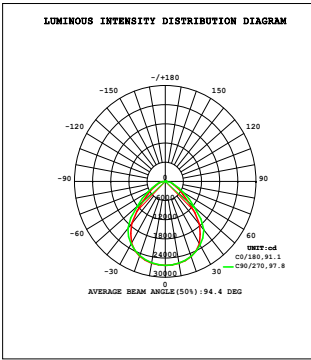
Selectable Compact LED Linear High Bay *Lighting and Power Technologies LLC*

Wattage: 100W,115W, 135W ; 155W, 185W, 200W ; 200W, 230W, 270W; 270W, 340W, 400W

PHOTOMETRICS

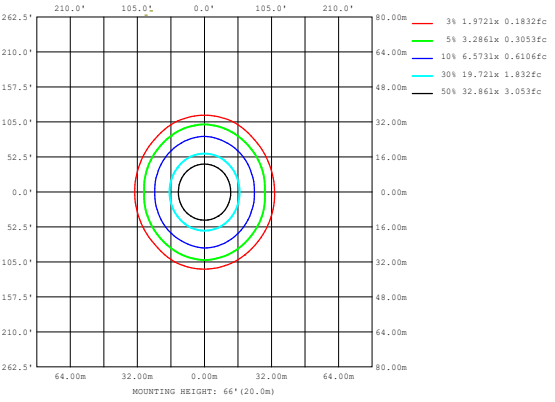
For complete IES files, please visit our website.

LHB-3.7F270/340/400W27-45K-G2



Flux out: 45122 lm

Height	Avg, Emax	Angle: 91.13deg	Diameter
1m	10113, 26306lx		203.99cm
2m	2528, 6576lx		407.99cm
3m	1124, 2923lx		611.98cm
4m	632.0, 1644lx		815.98cm
5m	404.5, 1052lx		1019.97cm
6m	280.9, 730.7lx		1223.97cm
7m	206.4, 536.8lx		1427.96cm
8m	158.0, 411.0lx		1631.95cm
9m	124.8, 324.8lx		1835.95cm
10m	101.1, 263.1lx		2039.94cm



Sharkward Lighting Control System



Google Play



Android



iOS