

**Code: 90219-100**

Project Information

Type

Name

Voltage



### Product Description

Post Top Light luminaires Is Designed To Replace Traditional 150-400w Metal Halide Light. Suitable for 3inch Cylindrical Lamp Posts. High-performance illumination that lasts 50, 000Hours, With Over 80% Power Saving Performances.

### Application

GardenSquares, etc.



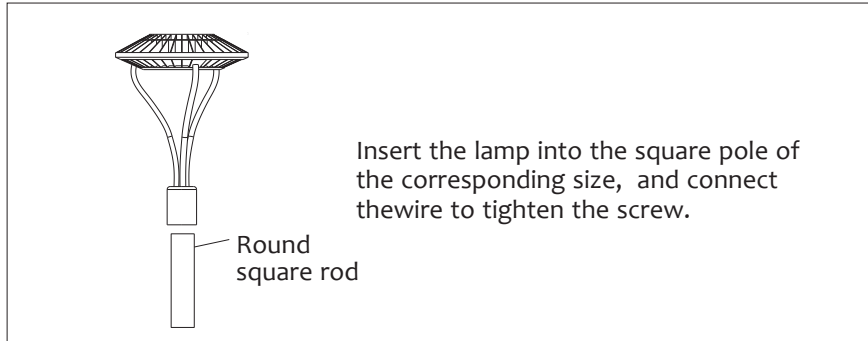
### Electric Characteristic

| Specification/Model     | 90219-60                   | 90219-100        | 90219-150        |
|-------------------------|----------------------------|------------------|------------------|
| LED Chips               | Philip 3030                |                  |                  |
| Input power             | 60W                        | 100W             | 150W             |
| Lumens output           | 7800LM                     | 13000LM          | 19500LM          |
| Efficiency              | 130LM/W                    | 130LM/W          | 130LM/W          |
| Dimmable                | YES                        |                  |                  |
| Color Temperature       | 4000/5000/5700K            |                  |                  |
| Input voltage           | 100-277V UL Driver         |                  |                  |
| Light distribution type | 90*140 D                   |                  |                  |
| Housing                 | Die-Casting Aluminum Alloy |                  |                  |
| Finish                  | Brown, Black, White        |                  |                  |
| lamps efficiency        | ≥90%                       |                  |                  |
| Certificates            | ETL,cETL                   |                  |                  |
| Equivalent              | 120W-200W MH/HPS           | 200W-300W MH/HPS | 300W-450W MH/HPS |

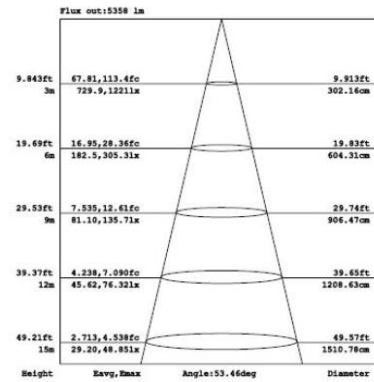
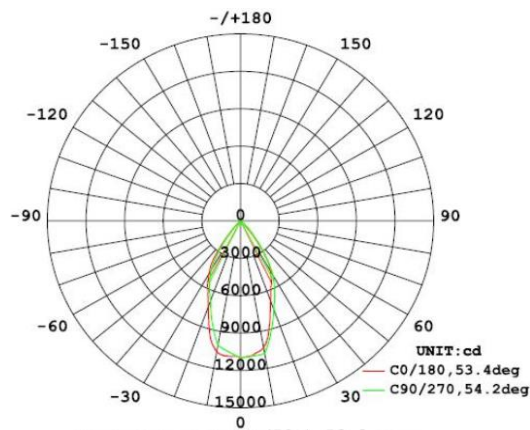
## Ordering Information

| Product   | Power | Replacement     | Color Temperature                   | Photocell                          | Furnish |
|-----------|-------|-----------------|-------------------------------------|------------------------------------|---------|
| 90219-60  | 60W   | 120-180W MH/HPS | 40K 4000K<br>50K 5000K<br>57K 5700K | N not photocell<br>Y yes photocell | T-Black |
| 90219-100 | 100W  | 200-300W MH/HPS |                                     |                                    |         |
| 90219-150 | 150W  | 300-450W MH/HPS |                                     |                                    |         |

## Installation Options



## Photometrics

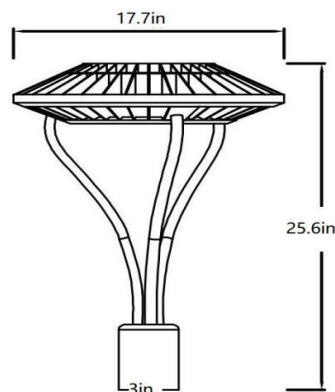


## Projected LED Lumen Maintenance

|                          |   |       |       |
|--------------------------|---|-------|-------|
| Operating hours          | 0 | 25000 | 50000 |
| Lumen maintenance factor | 1 | 0.91  | 0.8   |

Data references the extrapolated performance projections for the POST TOP LED platform in a 25°C ambient, based on 10,000 hours of LED testing (tested per IESNA LM - 80-08 and projected per IESNA TM-21-11).

## Dimensions



## After Sale Service

The product refers to electricians knowledge. Please don't disassemble it by yourself. If any quality problem happens, please contact the factory for warranty details.

NOTE: Actual performance may differ as a result of end-user environment and application. All values are without notice.