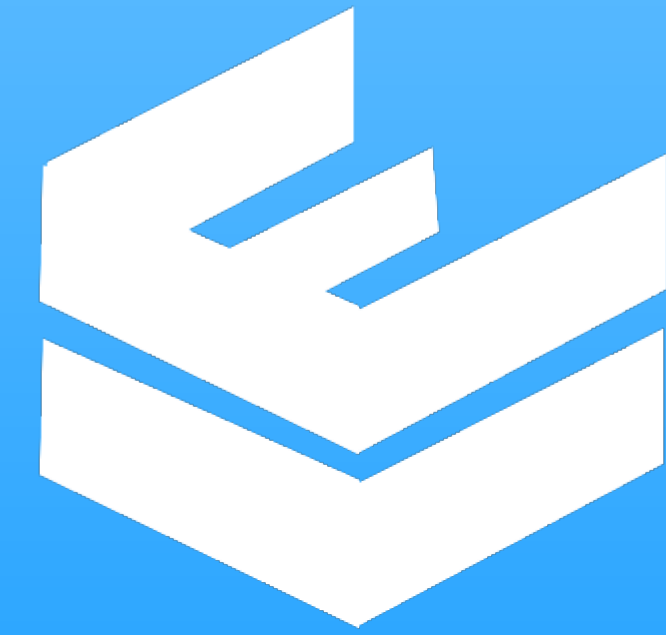


Using Windchill ProjectLink for new concept designs with Creo Parametric



Ecellent
Solutions

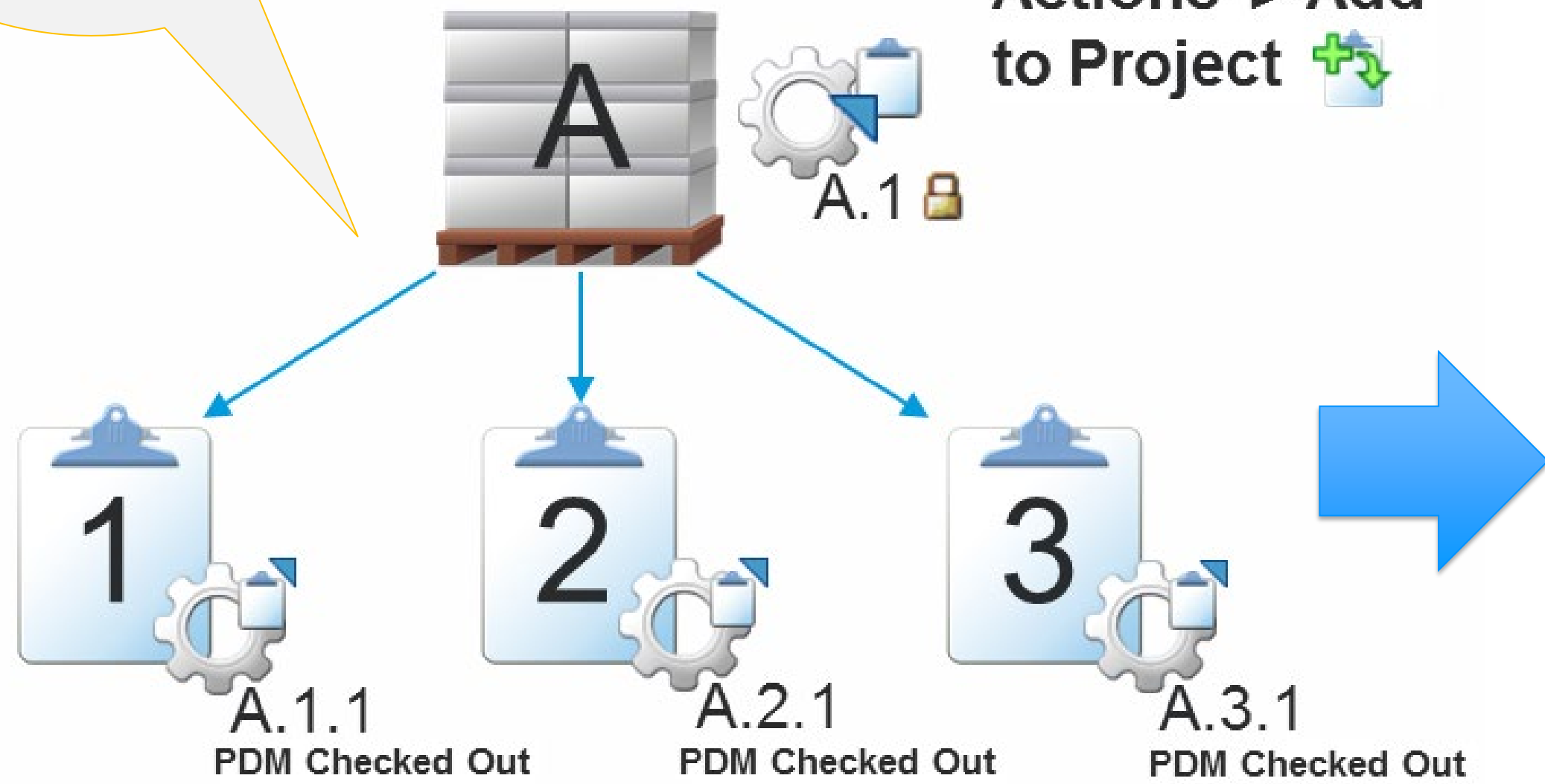
By:
Robert Kennedy

Using Windchill ProjectLink for Design

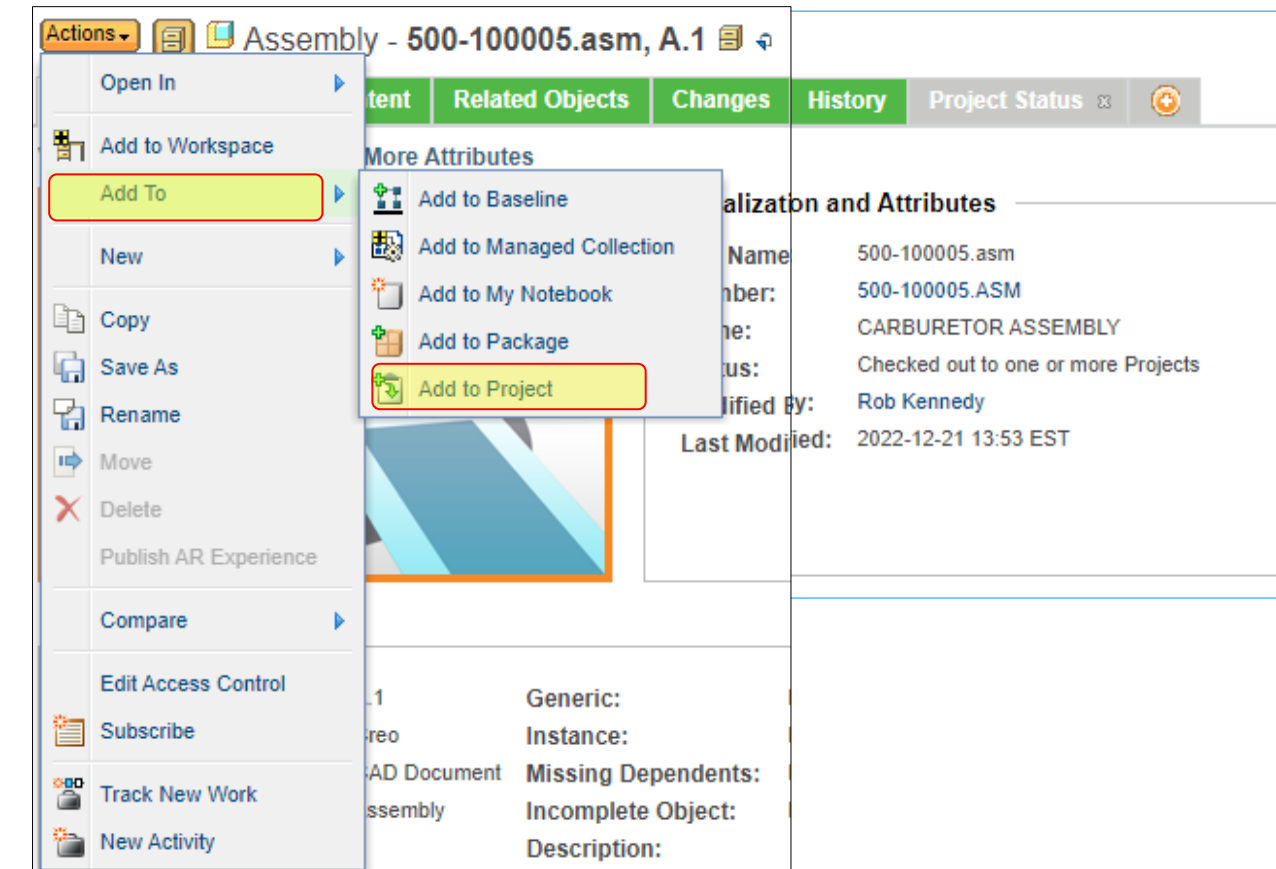
How to work on 3 separate designs for the same Concept

- The following is a quick breakdown of using Windchill ProjectLink to work on concept designs outside of PDMLink, but still maintain the ability to move forward with other designs as required.
- In Windchill we will create 3 new Projects, Send a single Assembly from PDMLink to each Project and define 3 new designs in each Project respectively.
- We can also route the new Designs for Approval via the “Approval Process” workflow in ProjectLink.
- Once the new concept design is Approved, we will then simply Check the approved Assembly back into PDMLink.

Create 3 Target Projects



Actions ► Add to Project



Share Source object to each Project

Starting with the source object in PDMLink

- Actions > Add To > Add to Project
- Select PDM Check-out for each object that you intend to modify

Products > PRODUCT1 > CAD Documents

Assembly - 500-100005.asm, A.1

Project Status

Version	Status	Created By	Last Modified	Folder Path	Project Name
A-3.1	PDM Checked out	Robert Kennedy	2023-05-09 14:49 EDT	/Test Design Project - Carburetor Design C	Test Design Project - Carburetor Design C
A-2.1	PDM Checked out	Robert Kennedy	2023-05-09 14:48 EDT	/Test Design Project - Carburetor Design B/CAD Documents	Test Design Project - Carburetor Design B
A-1.1	PDM Checked out	Robert Kennedy	2023-05-09 14:46 EDT	/Test Design Project - Carburetor Design A/CAD Documents	Test Design Project - Carburetor Design A

(0 objects selected)

Add Objects to a Project

Select Project and Location Collect Objects and Set Options

Current Settings: All dependents, Latest : Working

Collect Objects and Set Options As a List All Objects (16 of 16 objects)

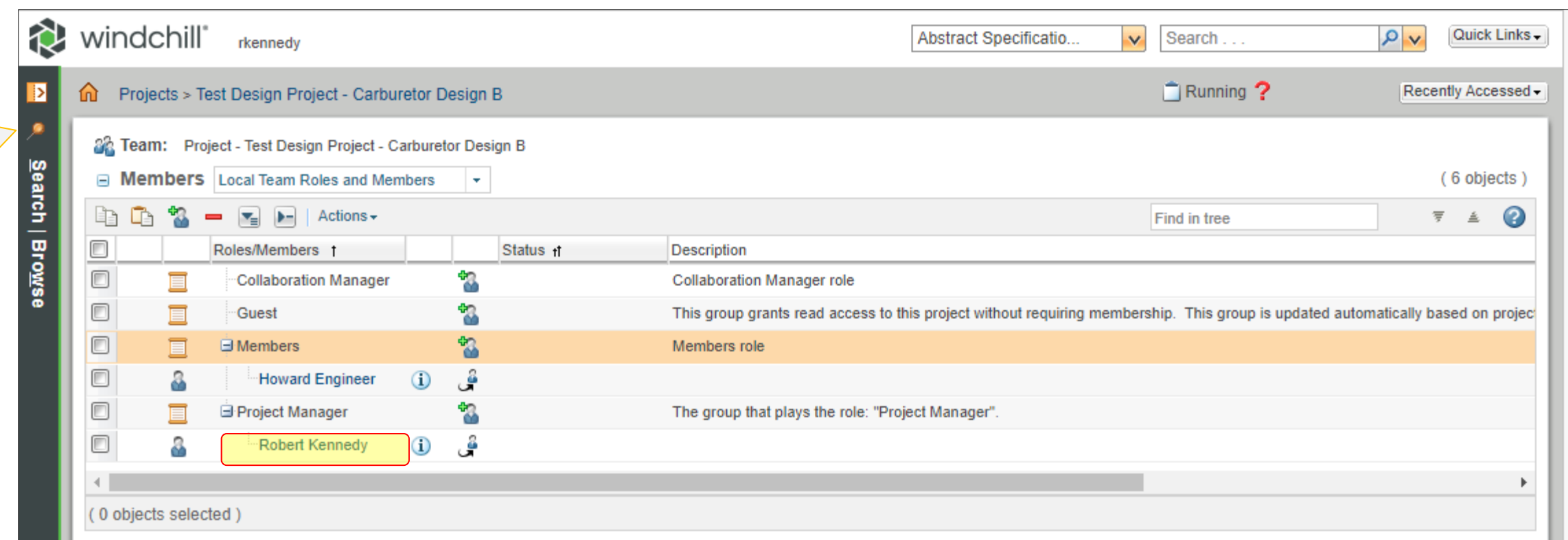
Name	Number	Version	Selected Action	Context	New Location	Collection Rule
AIR FILTER COVER	500-000001.PRT	A.1	PDM Check-out	PRODUCT1	/Test Design Project - Carbureto	Multiple rules...
AIR FILTER COVER	0000000737	A.1 (Design)	PDM Check-out	PRODUCT1	/Test Design Project - Carbureto	Associated Par
BOLT	100-000001.PRT	A.2	Share	PRODUCT1	/Test Design Project - Carbureto	Multiple rules...
BOLT	0000000722	A.2 (Design)	Share	PRODUCT1	/Test Design Project - Carbureto	Associated Par
BOLT_5-24	100-000007.PRT	A.1	Share	PRODUCT1	/Test Design Project - Carbureto	Multiple rules...
BOLT_5-24	0000000720	A.1 (Design)	Share	PRODUCT1	/Test Design Project - Carbureto	Associated Par
BOLT_5-60	100-000010.PRT	A.1	Share	PRODUCT1	/Test Design Project - Carbureto	Multiple rules...
BOLT_5-60	0000000725	A.1 (Design)	Share	PRODUCT1	/Test Design Project - Carbureto	Associated Par
CARBURETOR	500-000003.PRT	A.1	PDM Check-out	PRODUCT1	/Test Design Project - Carbureto	Multiple rules...
CARBURETOR	0000000733	A.1 (Design)	PDM Check-out	PRODUCT1	/Test Design Project - Carbureto	Associated Par
CARBURETOR ASSEMBLY	500-100005.ASM	A.1	PDM Check-out	PRODUCT1	/Test Design Project - Carbureto	Initially Selecte
CARBURETOR ASSEMBLY	0000000735	A.1 (Design)	PDM Check-out	PRODUCT1	/Test Design Project - Carbureto	Associated Par
CARBURETOR PLATE	500-000005.PRT	A.1	PDM Check-out	PRODUCT1	/Test Design Project - Carbureto	Multiple rules...
CARBURETOR PLATE	0000000736	A.1 (Design)	PDM Check-out	PRODUCT1	/Test Design Project - Carbureto	Associated Par
MANIFOLD	500-000034.PRT	A.1	PDM Check-out	PRODUCT1	/Test Design Project - Carbureto	Multiple rules...
MANIFOLD	0000000734	A.1 (Design)	PDM Check-out	PRODUCT1	/Test Design Project - Carbureto	Associated Par

(8 objects selected)

*Indicates required fields

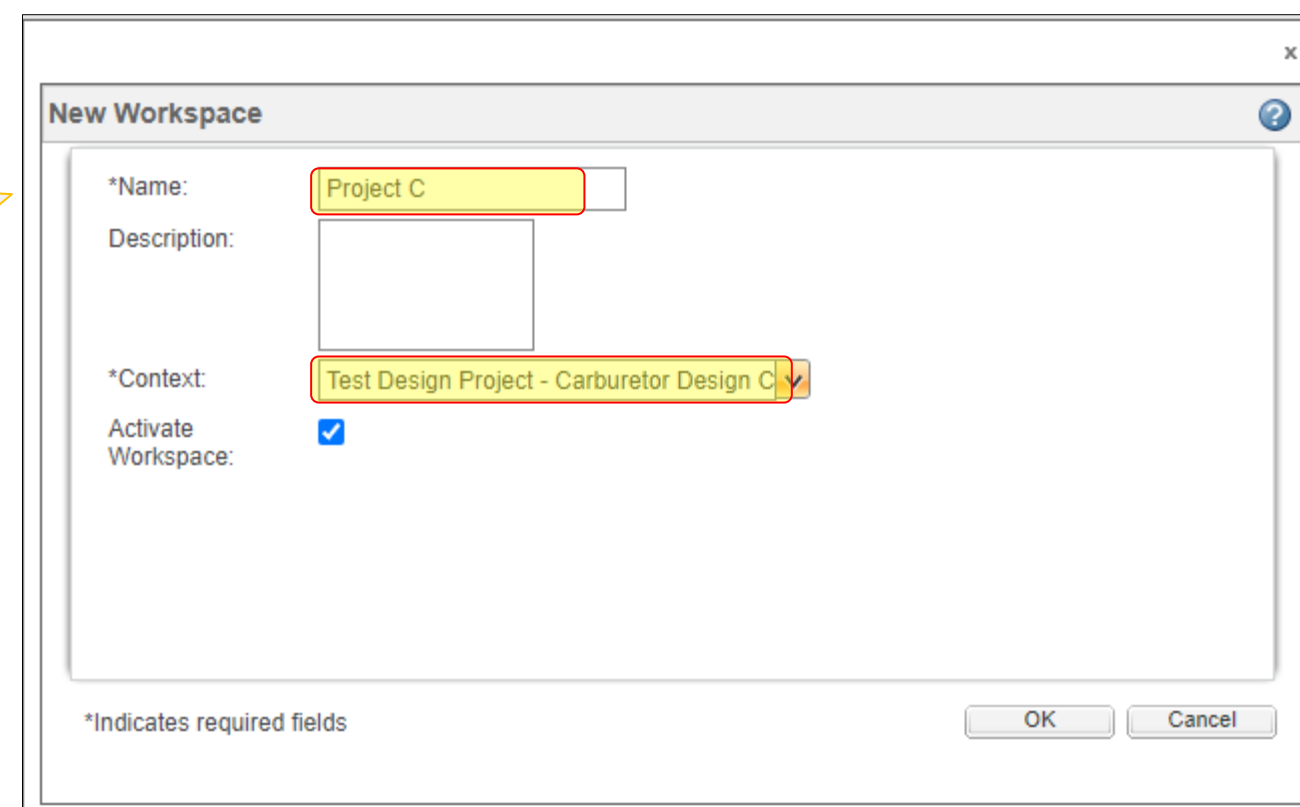
Back Next Finish Cancel

Add Users to each Project Team

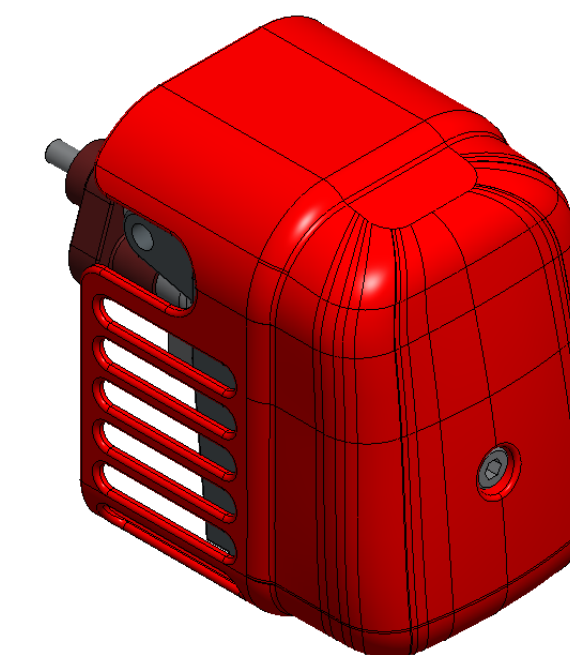
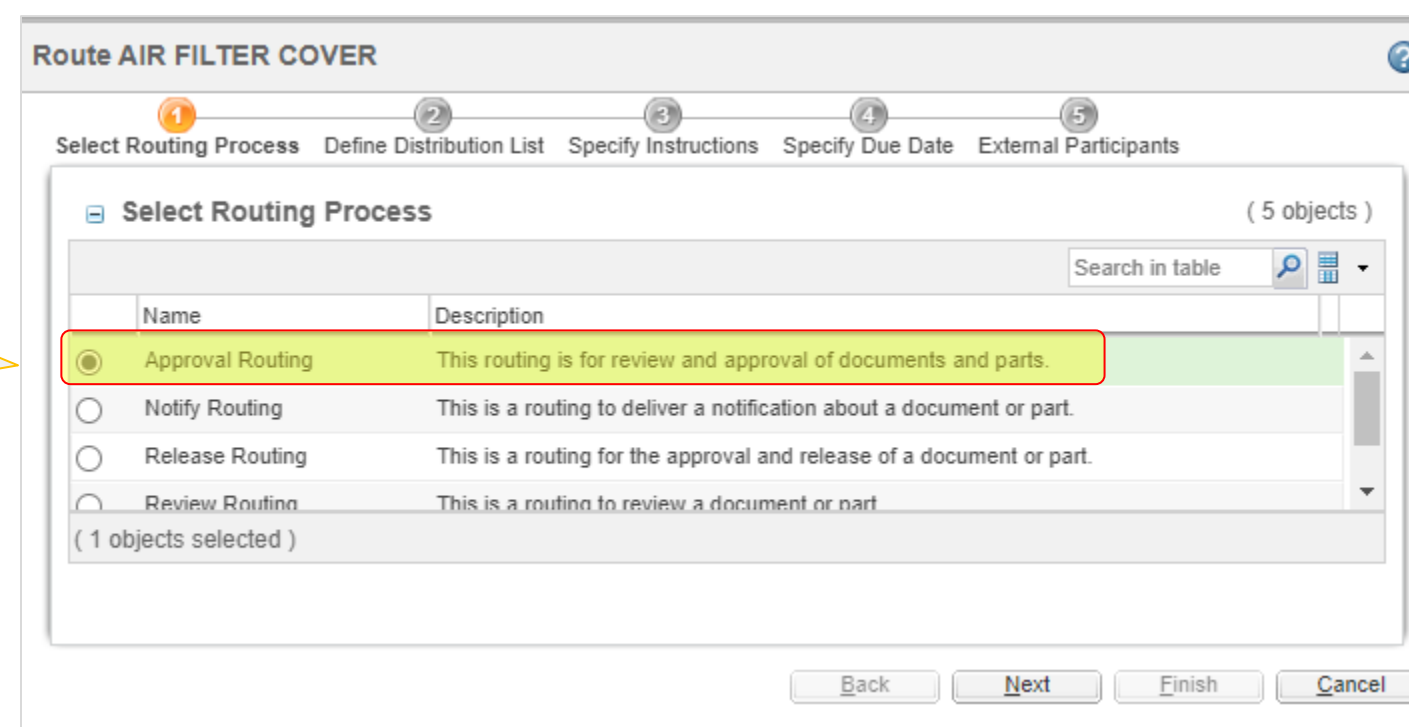


Update each source Assy as per requirements

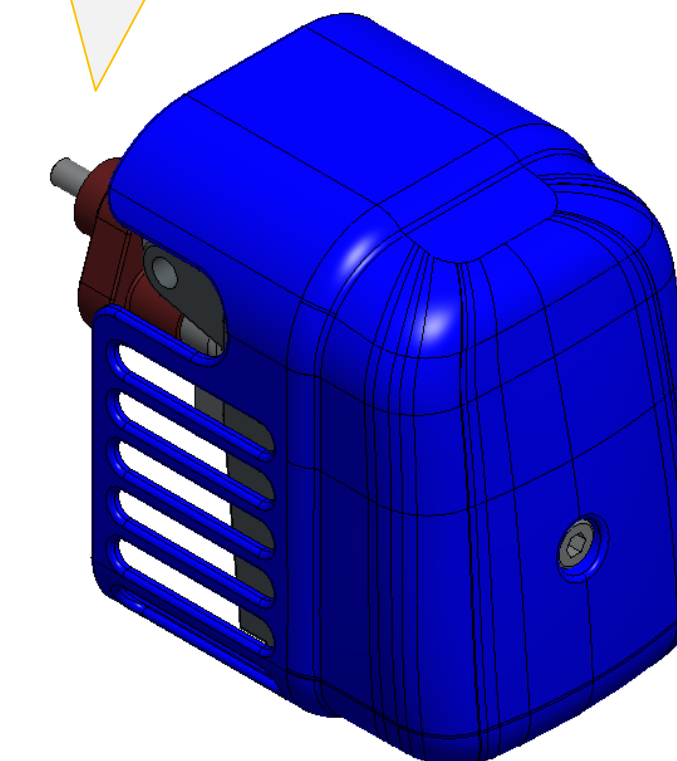
Create a Workspace in the Project



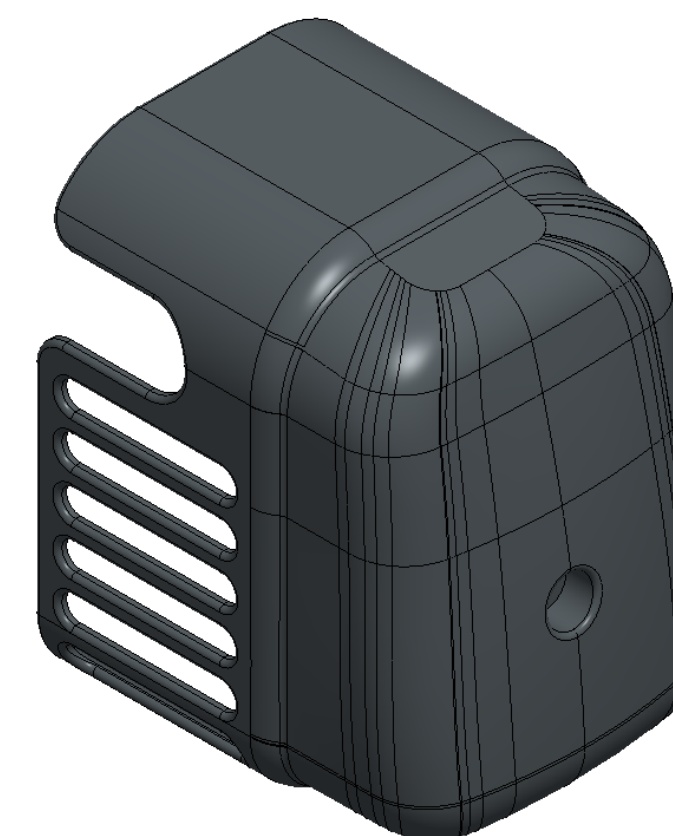
Route for Approval



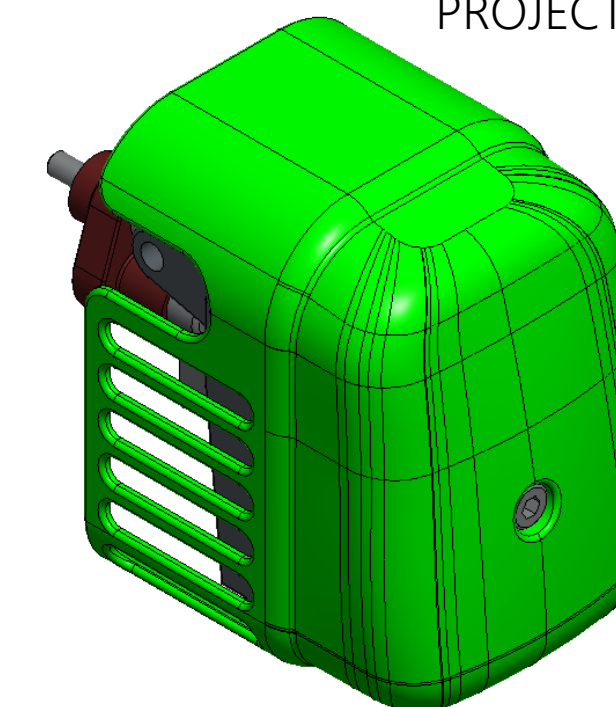
PROJECT C - DESIGN



PROJECT B - DESIGN



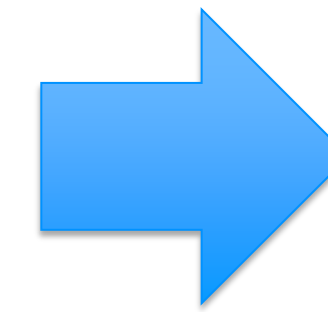
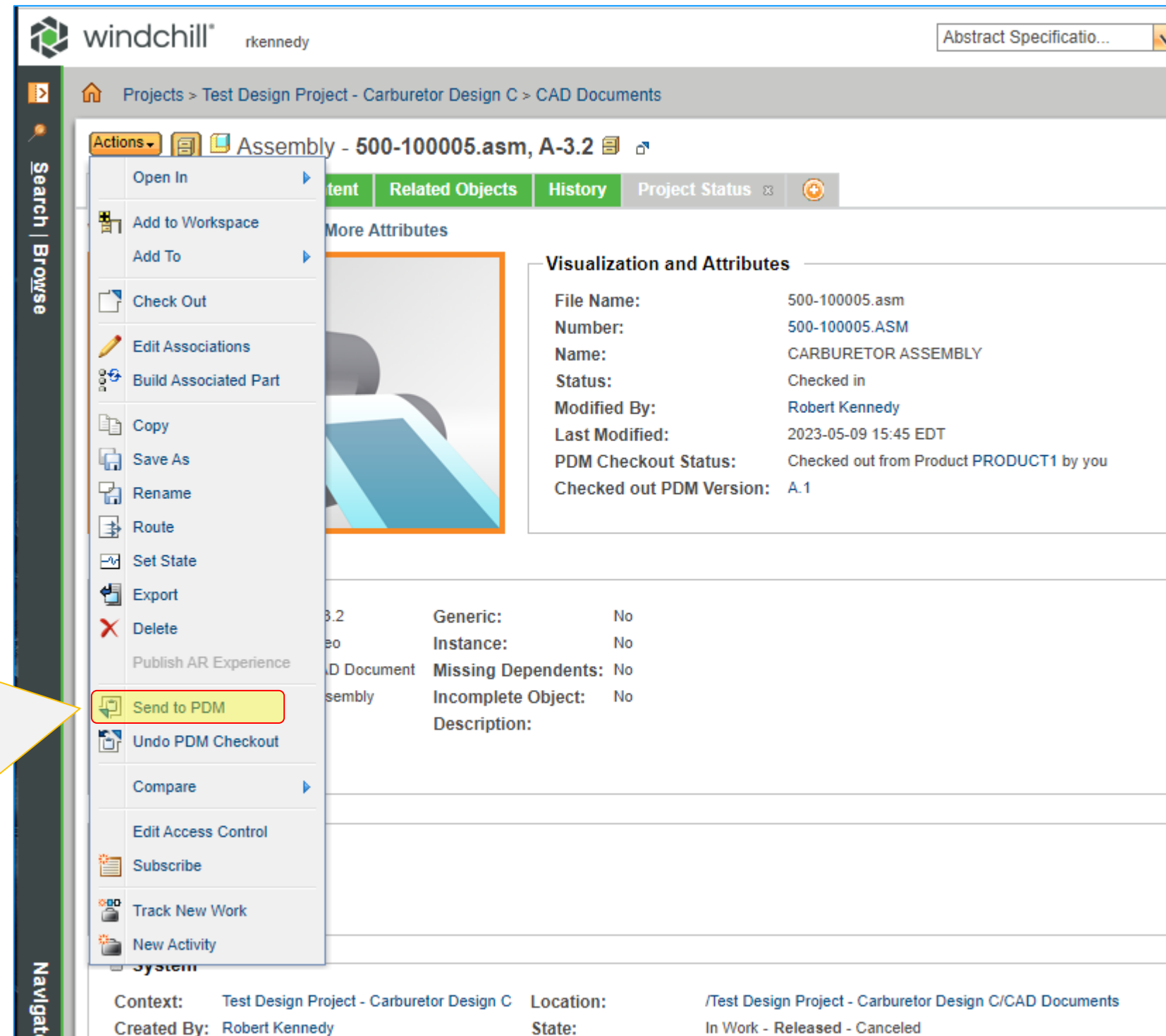
SOURCE - COVER DESIGN



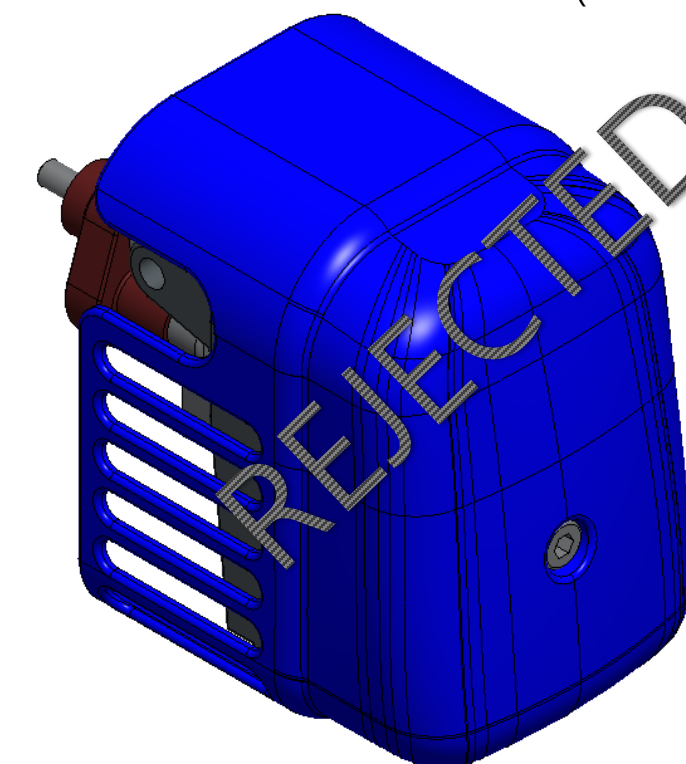
PROJECT A - DESIGN

Once the new Design is Approved

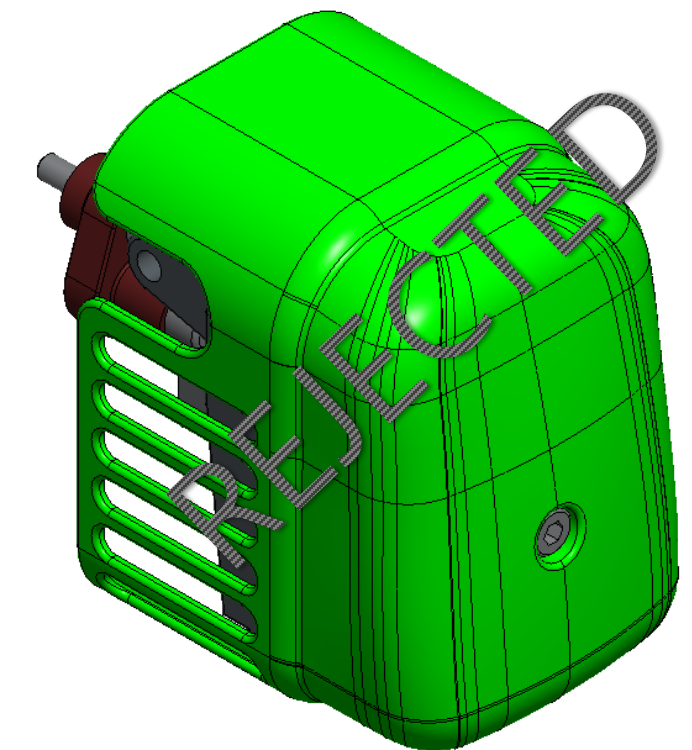
Send to PDM for final Check in



PROJECT C – DESIGN
(Check in to PDMLink)



PROJECT B - DESIGN



PROJECT A - DESIGN

QUESTIONS?

THANK YOU

Contact me at:

Email: robert.kennedy@eccellent.com

Phone: (856) 219-2111

Web: www.eccellent.com