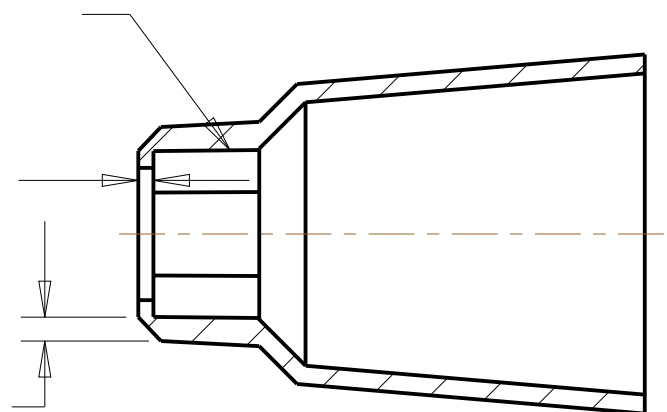


draft on Hex surface



3

SECTION A-A

MATERIAL	THIRD ANGLE PROJECTION		NOTICE: THIS DOCUMENT CONTAINS PROPRIETARY INFORMATION AND IT SHALL NOT BE USED DUPLICATED OR DISCLOSED WITHOUT THE PRIOR WRITTEN CONSENT OF VELOCITY PERFORMANCE PRODUCTS AND MAY NOT BE USED IN ANY MANNER DETRIMENTAL TO VELOCITY PERFORMANCE PRODUCTS SAVAGE, MN	
FINISH	DESIGNER			
TOLERANCES UNLESS NOTED METRIC [ENGLISH] ± .X± .X± .X±X	DRAWN DATE 24FEB2020		TITLE PRESSURE RELIEF CONE	
	SCALE 1.000	SIZE B	SHEET 1/1	DRAWING NUMBER Press_Relief_Cone
			REVISION 01	