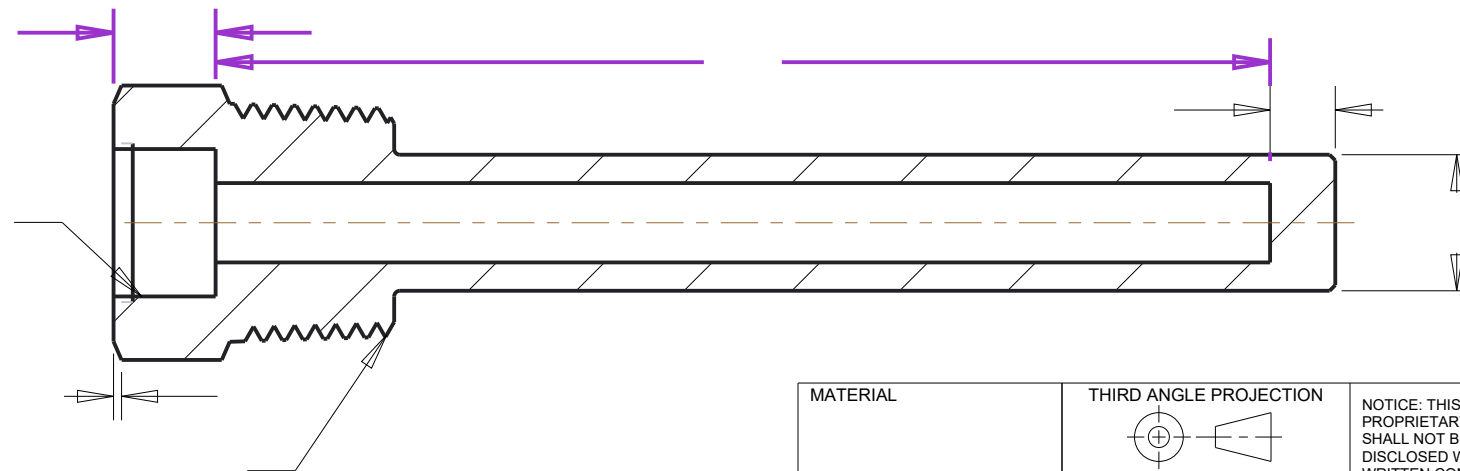
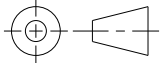



SECTION A-A



MATERIAL	THIRD ANGLE PROJECTION 		NOTICE: THIS DOCUMENT CONTAINS PROPRIETARY INFORMATION AND IT SHALL NOT BE USED DUPLICATED OR DISCLOSED WITHOUT THE PRIOR WRITTEN CONSENT OF VELOCI PERFORMANCE PRODUCTS AND MAY NOT BE USED IN ANY MANNER DETRIMENTAL TO VELOCI PERFORMANCE PRODUCTS SAVAGE, MN		
FINISH	DESIGNER				
TOLERANCES UNLESS NOTED METRIC [ENGLISH] ± .X± .XX .XXX	DRAWN DATE 3/3/2020		TITLE PROBE_HOUSING		
	SCALE 1.500	SIZE B	SHEET 1/1	DRAWING NUMBER PROBE_HOUSING	REVISION A