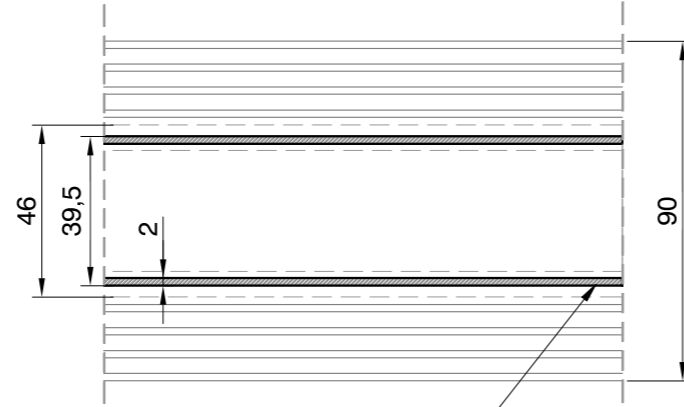
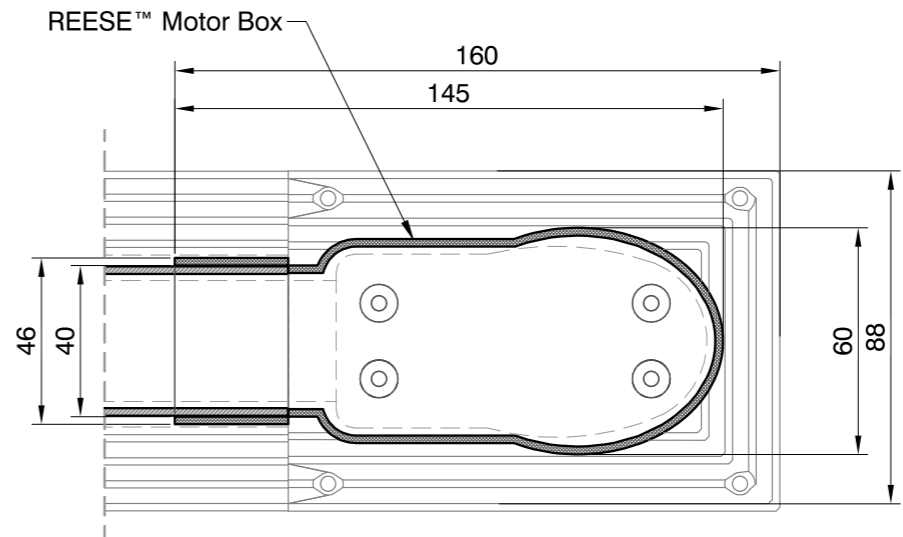


REESE™ Return Box

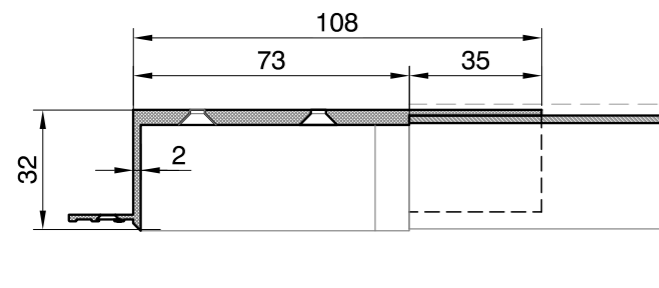


REESE™ Track Profile

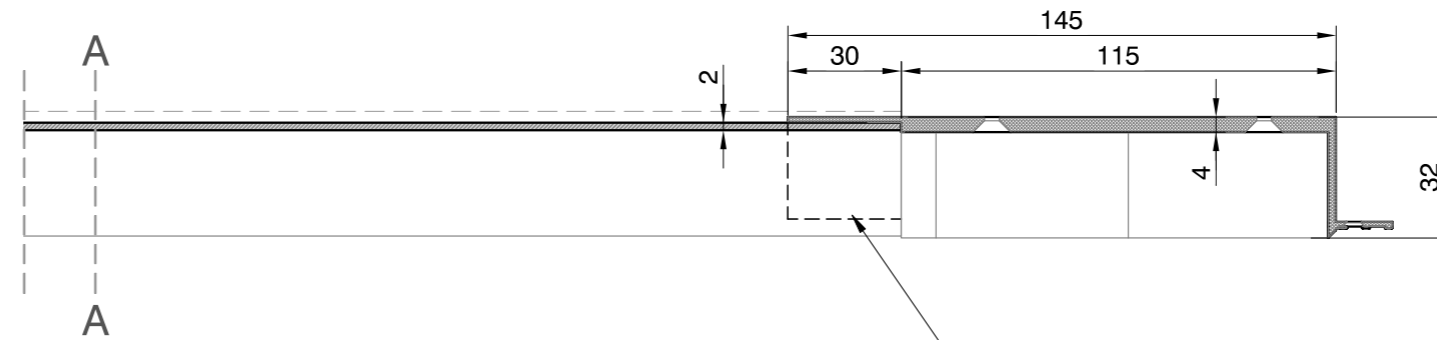


REESE™ Motor Box

1:2 scale



REESE™ Return Box
item: Reese CTRB1F

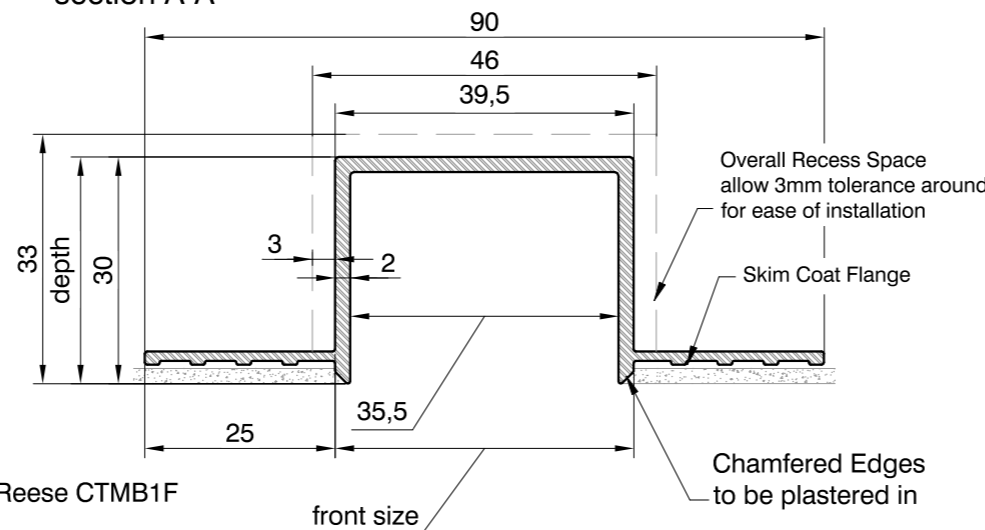


REESE™ Track Profile with Flange
item: RT1F

REESE™ Motor Box
item: CTMB1F
1:2 scale

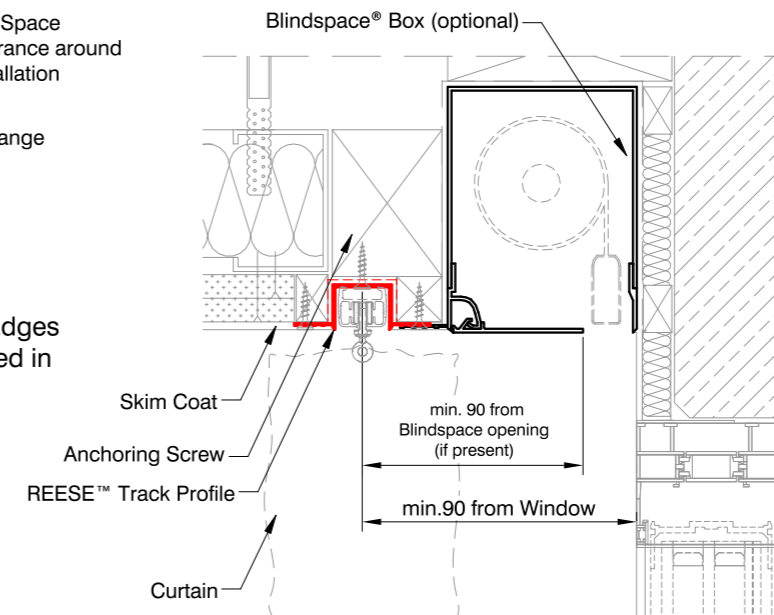
Track Profile slid into Motor Box

section A-A

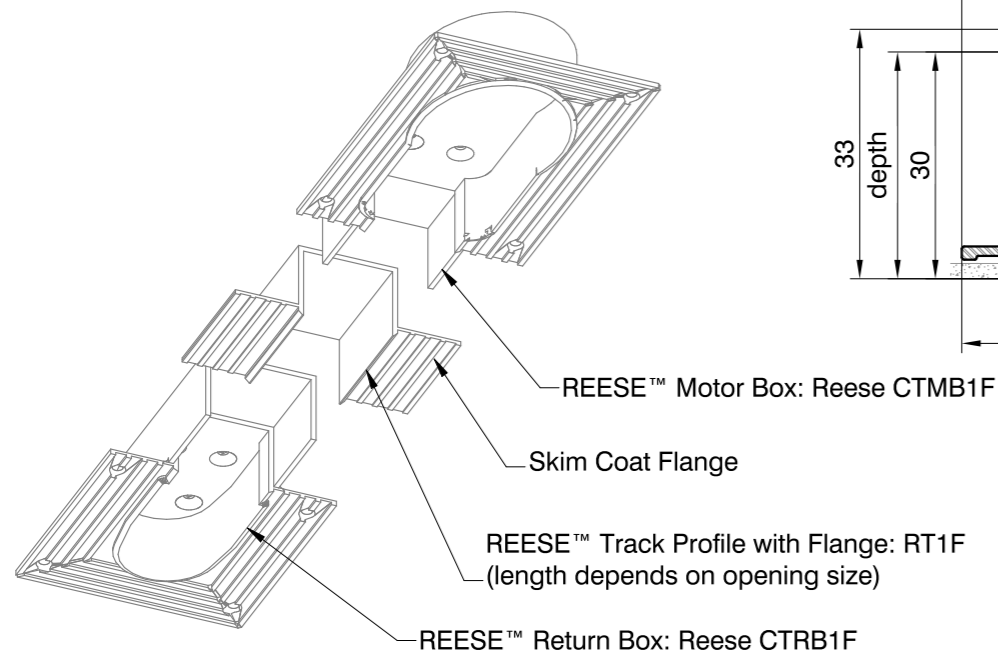


1:1 full scale

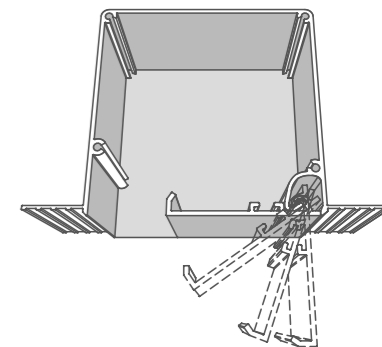
Sample Installation Detail



1:5 scale



Product	Reese CTF
Description	Recessed profiles to house curtain tracks
Material	U-profile: Anodized Aluminium, grade: EN 6060 T66 End cap: Plastic POM Polymer
Finishes	White to be plastered in and decorated at site to match ceiling.
Blind sizes	Curtain Tracks Sizes to fit inside the profiles:
Installation	Boxes should be fixed on both sides. The finished plaster level should be flush with chamfered edge. Anchoring countersink screws through skim coat flanges are recommended.
Drawing	Reese CTF for QMotion CuTrac with skim flanges
Item name	RT1F, CTMB1F, CTRB1F
Date	August, 2020
Notes	Dimensions in mm Do not scale from drawing
Drawn by	M. Kozak, A. Szarkowicz
Approved	A. Sundelin
Revision	



Print date	2020-08-25
Print file	blindspace qmotion reese ctf v04.dwg
Page size	ISO A3 420x297
Remarks	