

CRP150N STAINLESS STEEL FLUSH CUP PULL

Features

- Easy Installation
- Packed with four (4) #6 x 5/8" OPHWS Screws

Dimensions

- Face: 3 1/2" x 5"
- Projection: 1/8"
- Cup Clearance: 7/8"
- Opening: 1 3/4" x 3 1/16"

Applications

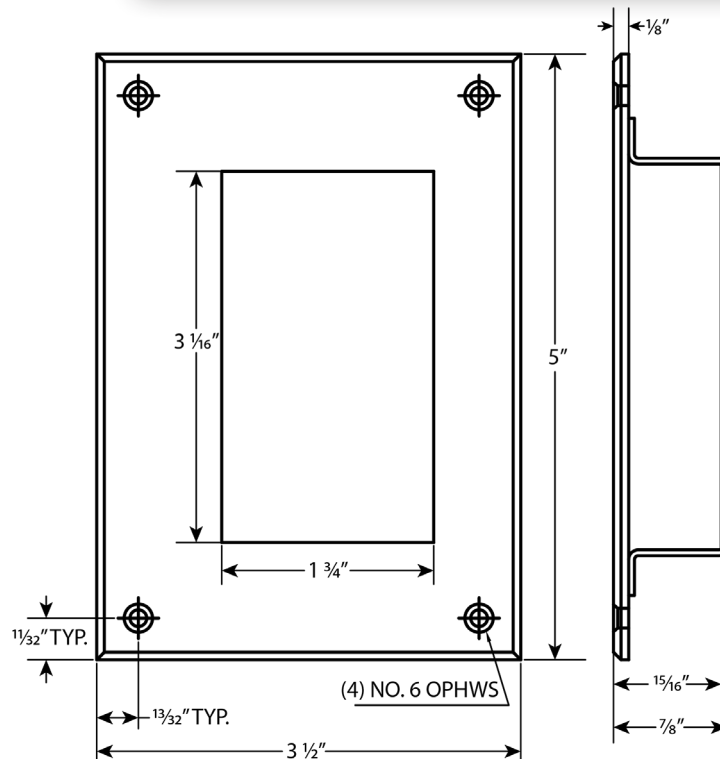
- Used in sliding doors, cabinet doors, and pocket doors.

Finishes

- US32D - Satin Stainless Steel
- US10B - Oil Rubbed Bronze

Code Compliance

- Meets ANSI A156.6 for J403 Pulls



CAL-ROYAL PRODUCTS, INC.

6605 Flotilla St., City of Commerce, CA 90040 U.S.A.
 Phone: (323) 888-6601 • (800) 876-9258 • Fax: (323) 888-6699 • (800) 222-3316
 Email: sales@cal-royal.com • Website: www.cal-royal.com

The illustration and technical description in this cut sheet is current as of the date in the version date on the right. Cal-Royal Product reserves the right to, and may, on occasions, make changes and/or improvements in designs and dimensions without prior notice.

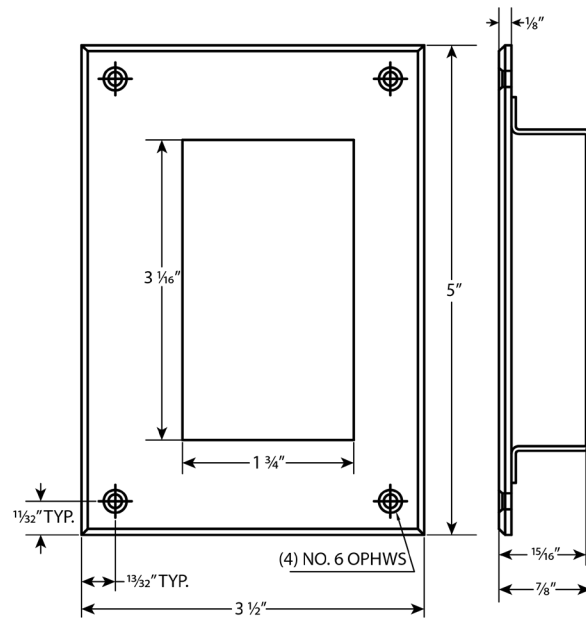
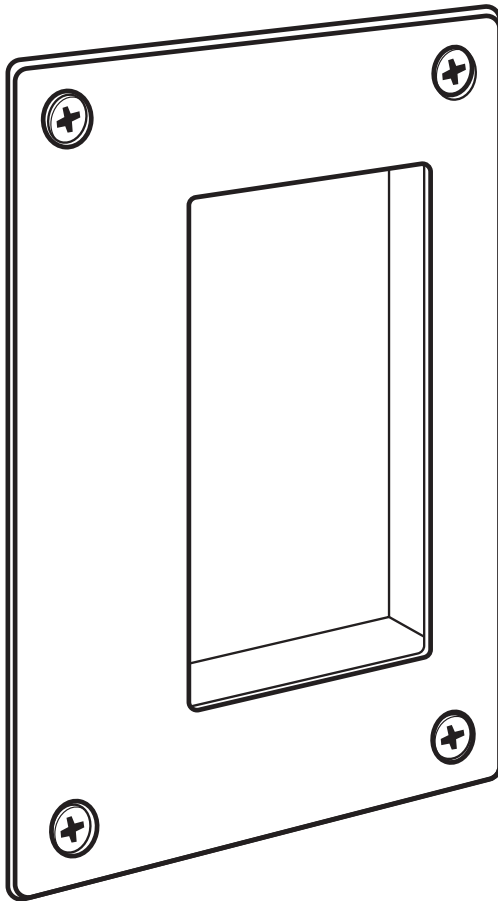
2018 01
VERSION NO. 1
YEAR PRINTED

© Cal-Royal Products, Inc. 2018

NEW PRODUCT



STAINLESS STEEL FLUSH CUP PULL CRP150N US32D & US10B



Please note that this item is not yet included in our NEW 2017 Catalog.

ITEM #	DESCRIPTION	FINISH	LIST PRICE EACH	IP QTY	MC QTY
CRP150N	Stainless Steel Flush Cup Pull Face: 3 1/2" x 5", Projection: 1/8" Cup Clearance: 7/8", Opening: 1 3/4" x 3 1/16"	US32D	\$22.50	6	60
		US10B	\$47.50		

**FAX US YOUR ORDERS TOLL FREE at 1-800-222-3316 or 323-888-6699
or EMAIL to orders@cal-royal.com**

Visit www.cal-royal.com, NEW PRODUCTS section for more information.