

HZL2 Series Hazardous Location Light

HAZARDOUS LOCATION FIXTURES

100-277V

LM79 LM80



IP67



PROJECT INFORMATION

Project Name _____

Catalog No. _____ Date _____

DESCRIPTION

The ActiveLED HZL2 Series Hazardous Location Light is designed and certified for lighting hazardous applications such as oil drilling rigs, oil platforms, mines, sugar mills, grain silos, ships, and other hazardous dust location facilities. The HZL2 provides optimum visibility for process, testing and inspection areas and features a T4a temperature rating for use in ambient conditions.

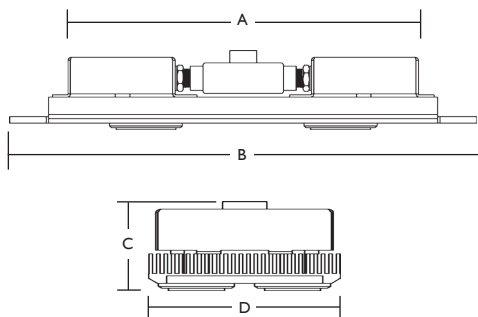
The 8,000-11,000 lumen fixture emits a cool white light at 5,000K CCT (sunlight at horizon), resulting in crisp and clear illumination that is intended to replace traditional fluorescent and HID lighting fixtures.

Applications include: Oil Drilling Rigs, Oil Platforms, Mines, Sugar Mills, Grain Silos, and Ships.



HZL2 Series Hazardous Location Light

DIMENSIONS

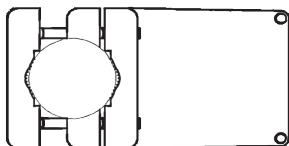


A	B	C	D
20"	24"	4.52"	6"
50.80cm	60.96cm	11.48cm	15.24cm

FEATURES

- Class I, Division 2, Groups A, B, C, and D --T4A, or T5
- Class II, Division 1 & 2, Groups E, F, and G --T4A, or T5
- Replaceable lens covers.
- Fully potted drivers.
- ThermalDRAW™ Cooling Technology - Patented cooling technology ensures LED components will equal or exceed warranty.
- Warranty - 10 Year Warranty on LED elements, fixture housing, and LED Driver. See page 2 for additional warranty information.

MOUNTING OPTIONS



Clamp range 0.75" to 02.00" tube or pipe.
Clamp attaches to each end of luminaire.



LIGHT OUTPUT

11,032 Lm

WATTS

88.0 W

LUMENS per WATT

125.4 Lm/W

LIGHT COLOR (CCT)

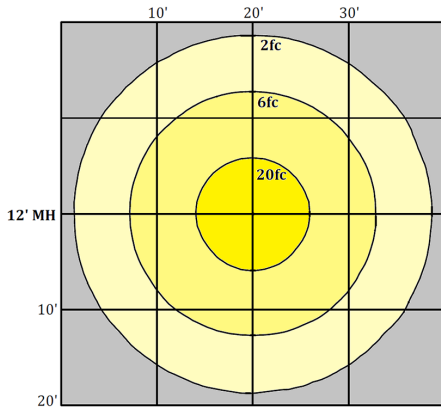
4,950 K

ActiveLED®
Energy Efficient Lighting and Controls

NOTE: Lighting Facts shown for HZL2, 88W only.
For more Lighting Facts, visit lightingfacts.com for the Label and Label Reference Guide.



PHOTOMETRICS



PERFORMANCE DATA

AMBIENT TEMPERATURES	0 HOURS	45,000 HOURS	90,000 HOURS
77°F (25°C)	1.00	0.99	0.99
104°F (40°C)	1.00	0.98	0.96
131°F (55°C)	1.00	0.96	0.92
140°F (60°C)	1.00	0.95	0.90

Projected Lumen Maintenance (TM-21)

NOTE: Calculated using data collected according to LM-80 lumen maintenance on the LED package.

NOTE: Photometrics shown for HZL2 88W only. Contact company for photometrics on other sizes.

GENERAL SPECIFICATIONS

Input Voltage	Auto-Sensing 100-277 Volts AC, 50/60 Hz	LED Optics	IP67 rated, thermally bonded LEDs, borosilicate glass lens w/silicone sealing. Patented thermal management mounting system
Input Power	75 and 90 Input Watts 72 and 88 LED Watts	CCT	2700K, 3000K, 3500K, 4000K, or 5000K
Power Factor	> 0.99 (at ~100-277 Volts)	Housing	Extruded aluminum for enclosure and heat sinking parts, stainless steel hardware
THD	Total Harmonic Distortion (THD) <3.5% (typical 4%) at full load	Finish	Raw Aluminum
Driver	Integral driver with aluminum housing and integral heat sink	Dimensions	6" Height, 4.52" Wide, 20" Length and 24" length with handle (15.24cm x 11.48cm x 50.80cm x 60.96cm with handle)
Operating Temperature	-40° F to 140° F (-40° C to 60° C)	Weight	28 lbs, 12.7Kg
Lumen Lifetime	L90/90K Hrs @ 60° C (90,000 Hrs with 90% Luminous Flux)		

WARRANTY

Ten (10) Year Warranty - LEDs, Fixture, and Driver shall conform to its published specifications under normal usage and operating conditions including "no light loss" of more than 10% at the end of the period. LEDs will produce at least 90% of their initial light output with no color shift after 90,000 hours of operation.

LISTINGS AND TESTS

UL844, C1 D2, C2 D1, C2 D2, ULI 598, UL listed driver; CE, suitable for wet locations. RoHS compliant. IP67 Rated optical assembly. LM-79 and LM-80 info available. Conforms to FCC Part 15.19 Subpart B Class A. Made in USA - ARRA Compliant.

ORDERING INFORMATION

Example: HZL2U-B-WS50R90RA

HZL2	U	B	W	S			RA
Unit	Driver	Mount	Pattern	Diffuser	CCT	Watts	Color
HZL2 Hazard Light	U- Universal Driver 100-277 VAC, 50/60 Hz	B- Bolt Mount	W- Wide	S- Starfire Glass	50- 5,000K	R75 72W LED, 75W Max (6,915 Lumens)	RA- Raw Aluminum
					40- 4,000K	R90 88W LED, 90W Max (8,298 Lumens)	
					35- 3,500K		
					30- 3,000K		
					27- 2,700K		