

AHP-1800

Hazardous Location Air Conditioner

Air Cooled
Through Mounted
NEMA-12, 4X, Class I Div 2

120 VAC, 240 VAC Input
1100 BTU/HR
Hazardous Locations

FEATURES

- Compact, (18" L X 12.35" W X 9.69" D)
- Excels in high ambient temperatures
- Environmentally Safe
- Dual voltage versions available, consult factory.
- No compressor, fluorocarbons or filters
- Virtually maintenance-free operation
- Stainless steel exterior housing
- Versions to withstand corrosive environments, shock and vibration
- Mounts and operates in any orientation
- Groups A, B, C, D
- Easy to use Pivot Clean feature
- Agency approvals: UL 1604, UL 1995, CSA 22.2

INCLUDES

- Adjustable temperature control
- Mounting gasket and hardware
- Power input line cord

OPTIONS

- Other temperature settings for single set point controls



SPECIFICATIONS

| MODEL | PART NUMBER | VOLTAGE VAC 50/60 HZ | CURRENT AMPS. | WEIGHT LBS.(KG) | TEMP. CONTROL | OPERATING AMBIENT TEMPERATURE RANGE °C | OPERATING ENCLOSURE TEMPERATURE RANGE °C | ENVIRONMENT |
|----------------|--------------|----------------------------|------------------|--------------------|------------------|---|---|-------------|
| AHP-1800EP | 0-0180-0-002 | 120 | 8.0 | 46(21) | TC-6F | -40/+63 | -10/+60 | NEMA-12 |
| AHP-1800EP | 0-01F0-0-002 | 120 | 8.0 | 46(21) | TC-1F | -40/+63 | -10/+60 | NEMA-12 |
| AHP-1800EP-1 | 0-0170-0-004 | 120 | 8.0 | 46(21) | EXT* | -40/+63 | -10/+60 | NEMA-12 |
| AHP-1800EPHC | 0-0130-1-003 | 120 | 8.0 | 46(21) | TC-3F | -40/+63 | -10/+60 | NEMA-12 |
| AHP-1800EPHC-1 | 0-0170-1-006 | 120 | 8.0 | 46(21) | EXT* | -40/+63 | -10/+60 | NEMA-12 |
| AHP-1801EP | 0-0181-0-002 | 120/240 | 8.0/5.0 | 46(21) | TC-6F | -40/+63 | -10/+60 | NEMA-12 |
| AHP-1801EP | 0-01F1-0-002 | 120/240 | 8.0/5.0 | 46(21) | TC-1F | -40/+63 | -10/+60 | NEMA-12 |
| AHP-1801EP-1 | 0-0171-0-002 | 120/240 | 8.0/5.0 | 46(21) | EXT* | -40/+63 | -10/+60 | NEMA-12 |
| AHP-1801EPHC | 0-0131-1-003 | 120/240 | 8.0/5.0 | 46(21) | TC-3F | -40/+63 | -10/+60 | NEMA-12 |
| AHP-1801EPHC-1 | 0-0131-1-006 | 120/240 | 8.0/5.0 | 46(21) | EXT* | -40/+63 | -10/+60 | NEMA-12 |
| AHP-1800XP | 0-0180-2-002 | 120 | 8.0 | 47(21.4) | TC-6F | -40/+75 | -10/+60 | NEMA-4X |
| AHP-1800XP | 0-01F0-2-002 | 120 | 8.0 | 47(21.4) | TC-1F | -40/+75 | -10/+60 | NEMA-4X |
| AHP-1800XP-1 | 0-0170-2-004 | 120 | 8.0 | 47(21.4) | EXT* | -40/+75 | -10/+60 | NEMA-4X |
| AHP-1800XPHC | 0-0130-3-003 | 120 | 8.0 | 47(21.4) | TC-3F | -40/+75 | -10/+60 | NEMA-4X |
| AHP-1800XPHC-1 | 0-0170-3-006 | 120 | 8.0 | 47(21.4) | EXT* | -40/+75 | -10/+60 | NEMA-4X |
| AHP-1801XP | 0-0181-2-002 | 120/240 | 8.0/5.0 | 47(21.4) | TC-6F | -40/+75 | -10/+60 | NEMA-4X |
| AHP-1801XP | 0-01F1-2-002 | 120/240 | 8.0/5.0 | 47(21.4) | TC-1F | -40/+75 | -10/+60 | NEMA-4X |
| AHP-1801XP-1 | 0-0171-2-005 | 120/240 | 8.0/5.0 | 47(21.4) | EXT* | -40/+75 | -10/+60 | NEMA-4X |
| AHP-1801XPHC | 0-0131-3-003 | 120/240 | 8.0/5.0 | 47(21.4) | TC-3F | -40/+75 | -10/+60 | NEMA-4X |
| AHP-1801XPHC-1 | 0-0171-3-004 | 120/240 | 8.0/5.0 | 47(21.4) | EXT* | -40/+75 | -10/+60 | NEMA-4X |

* Unit is set for 5-32 VDC external signal, relay(s) included

Consult factory for shock and vibration models

AHP-1800EP

MOUNTING STYLE

Through Mounted

ENVIRONMENTS SERVED

Class I Div 2 NEMA-12 IP 52

Class I Div 2 NEMA-4X IP 56

RATING (TRADITIONAL)

1100 BTU/hr @ 0 °F ΔT

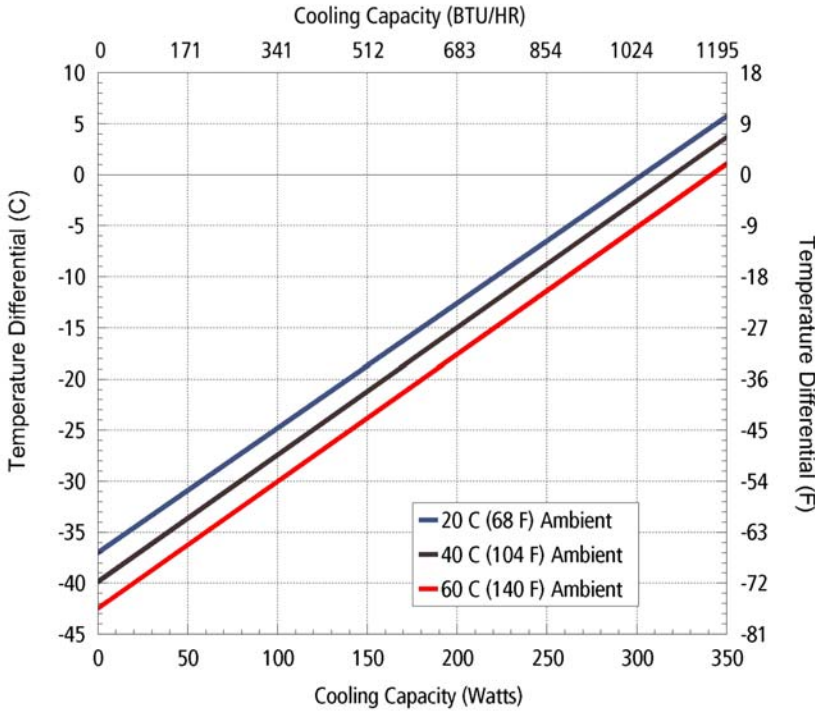
1420 BTU/hr @ +20 °F ΔT

RATING (DIN 3168)

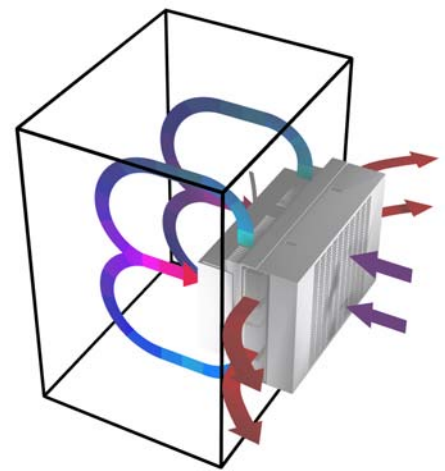
322 Watts L35 L35

210 Watts L35 L50

PERFORMANCE CURVE

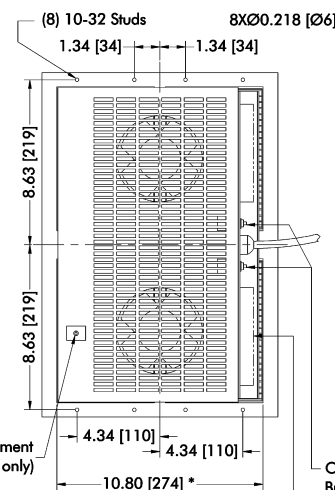
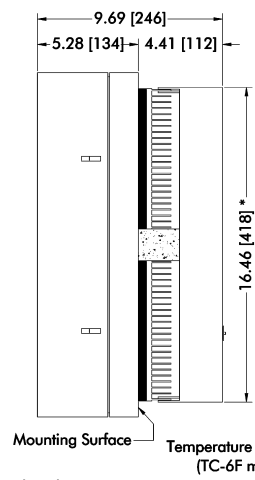
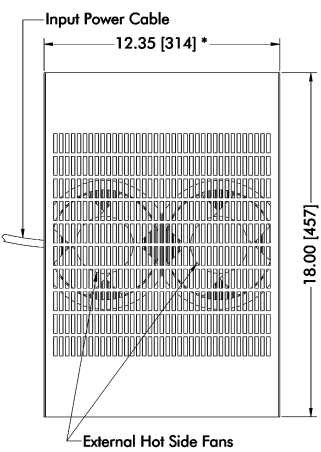


| Equation of line: $y = \Delta T(^{\circ}C)$ $x = \text{Capacity (Watts)}$ | | | |
|---|--------------------|--------------------|--------------------|
| Ambient Temp | 20°C | 40°C | 60°C |
| Enclosure Air | $y = .122x - 37.0$ | $y = .122x - 39.7$ | $y = .122x - 42.3$ |
| Cold Sink | $y = .09x - 37.0$ | $y = .09x - 39.7$ | $y = .09x - 42.3$ |

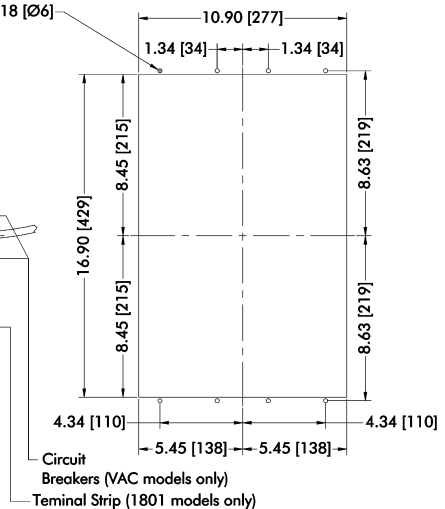


Air Flow Pattern

DIMENSIONS



MOUNTING CUTOUT DIMENSIONS



* Dimension does not include hardware and sealant.
Mounting hardware and gasket included but not shown.
Dimensions: Inches [Millimeters]