

Product Features



- LUMILEDS LED, high luminous efficiency and long working life.
- High efficiency LED Driver, the wide range input voltage AC120-277V;
- Magnesium alloy cooling design, better cooling, light in weight, LED Tj < 85°C.
- Excellent lampshade design, greatly improve the light utilization and evenness.



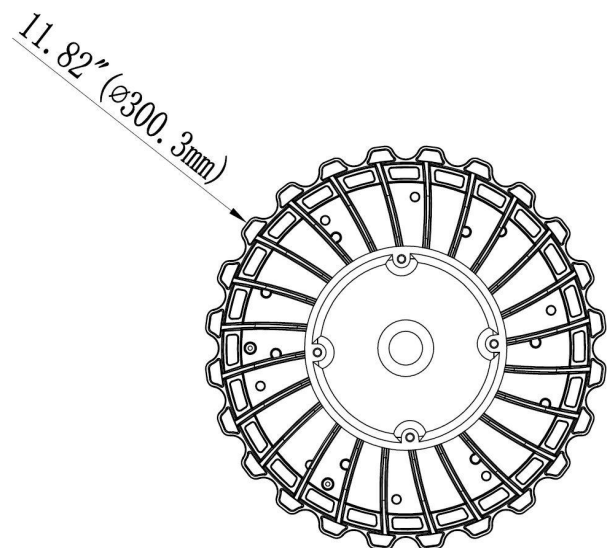
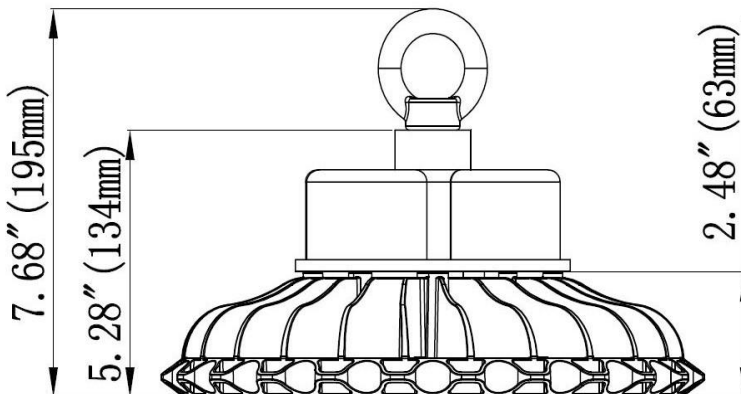
Product Applications

WSD UFO LED High Bay Lighting series can be widely used in outdoor, indoor or outdoor lighting (Wet location), like mechanical or electronic processing workshops, storage warehouses, steel mills, gas stations, toll booth, waiting rooms, the platforms of railway station, indoor stadiums and flower cultivating tents etc.

Structure Features

- **Shell materials:** Magnesium Alloy.
- **Color:** Black
- **Net weight:** 4.50Kg

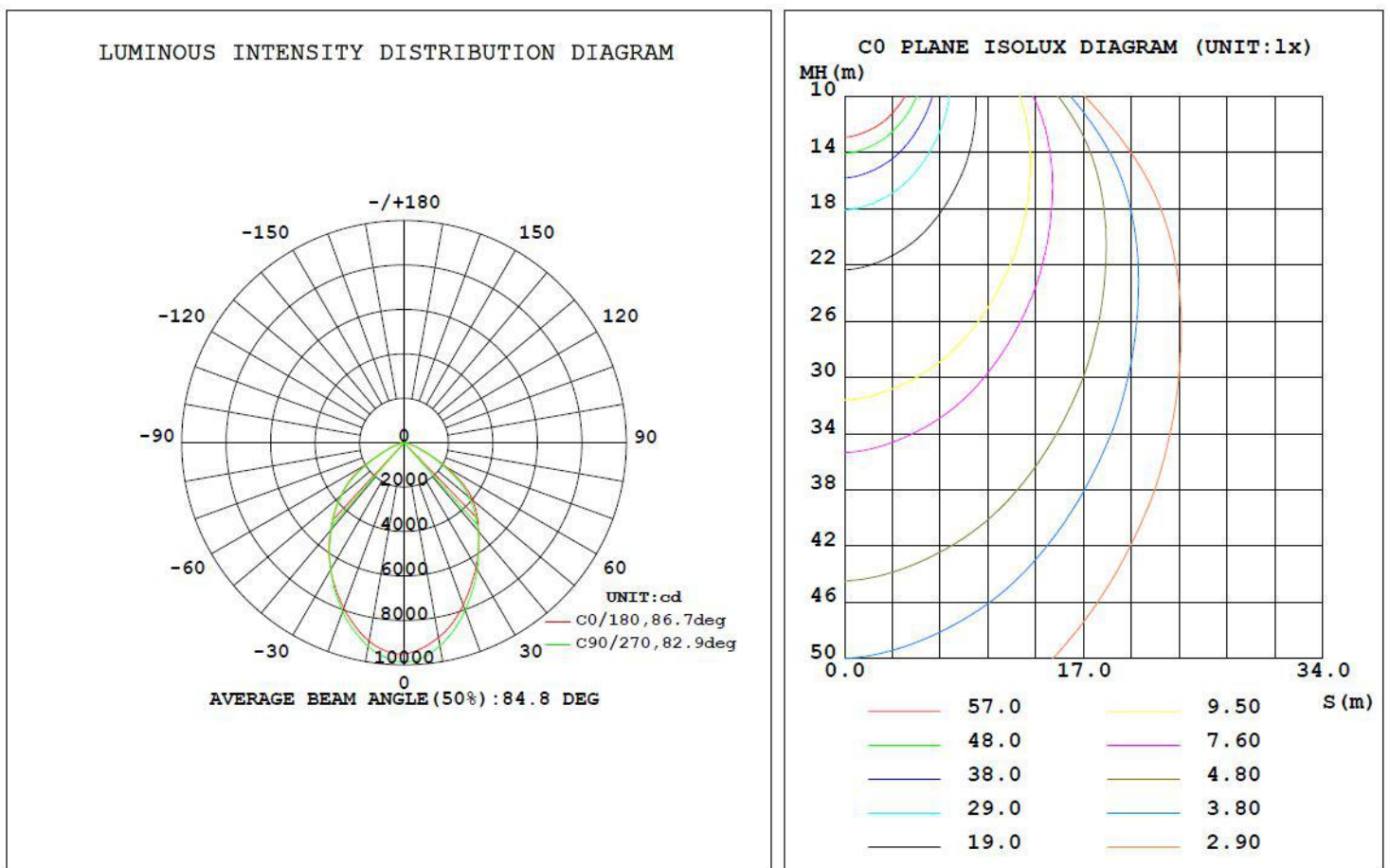
Unit: mm



■ Technical Parameters

Type	90165-15		
Power	150W	Lighting Angle	80°
Input Voltage	AC120-277V	LED Brightness Decay	<5%/6000 hrs
PF	>0.95	Working Life	>50000 hrs
Driver Efficiency	>90%	Working Temperature	-30 - +45°C
Luminous Flux	18100 Lm	Storage Temperature	-40 -+80°C
Color Temperature	3000K/4000K/5000K/5700K	Protection Level	Wet Location/IP65
CRI	Ra>80	Cable	3 core, 18AWG(0.5m)

■ Irradiation Area (80° Lens)



■ **ORDERING INFORMATION:**

EXAMPLE: Code: 90165-15

LPT	UHB	15W	27	50K	AL	M
Company	Product	Power	Voltage	Color Temp	Parts	Control
LPT	UHB UFO High Bay Light	10W(100W) 15W(150W) 20W(200W)	27 AC120-277V	30K (3000K) 40K (4000K) 50K (5000K) 57K (5700K) ± 500K	AL Aluminium lampshade	10V Dimming 1-10V M Motion Sensor

■ **Product Certifications**

