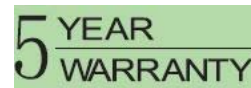


Product Pictures



- Lumileds LED, high luminous efficiency and long working life.
- High efficiency LED Driver, the wide range input voltage AC100-277V and AC200-480V.
- Cast aluminium cooling design better cooling, light quality, LED $T_j < 85^{\circ}\text{C}$.
- Excellent Optics design, greatly improved the light utilization and evenness.
- Photocell Control Available (Option)

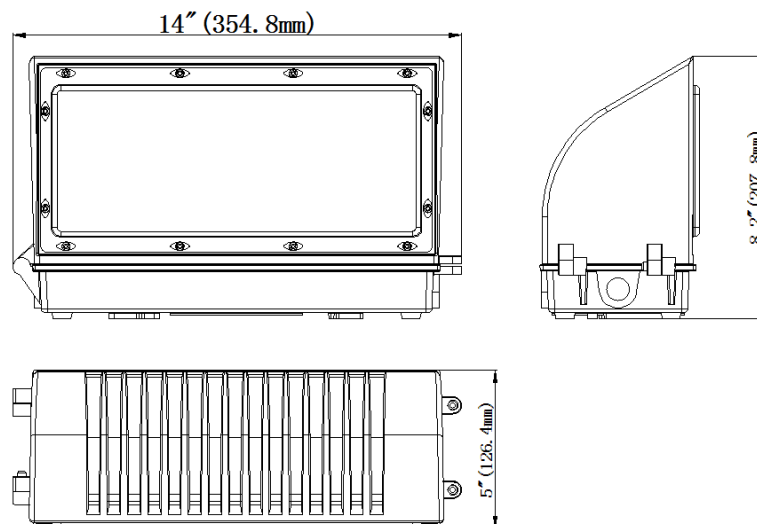


Product Applications

LPT LED FULL CUTOFF WALL PACK Lighting series can be widely used in indoor or outdoor lighting (Wet location), like mechanical or electronic processing workshops, storage warehouses, steel mills, gas stations, toll booth, waiting rooms, the platforms of railway station, indoor stadiums and flower cultivating tents etc.

Structure Features

- Shell materials: Aluminum & PC .
- Finish: Dark Bronze/White
- Net weight: 3.00kgs (6.61 lbs) Unit: inch(mm)



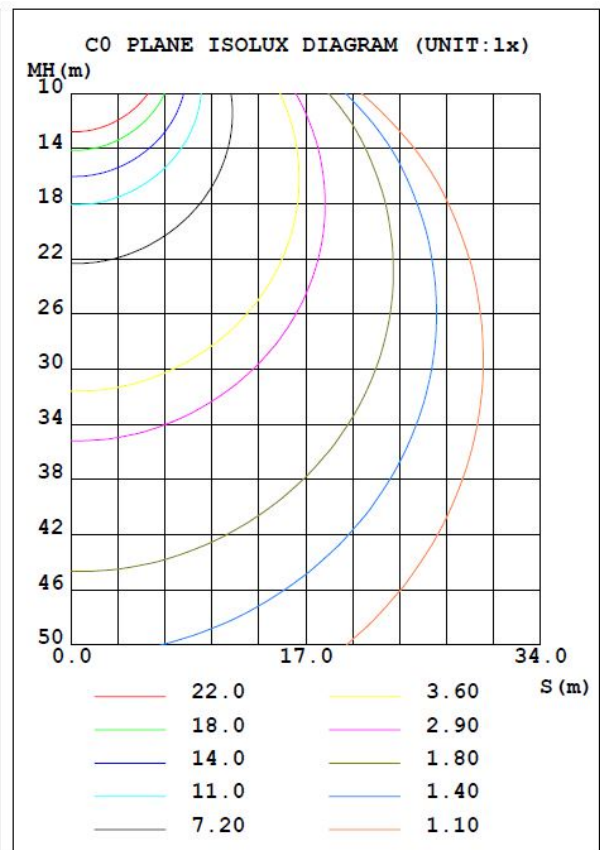
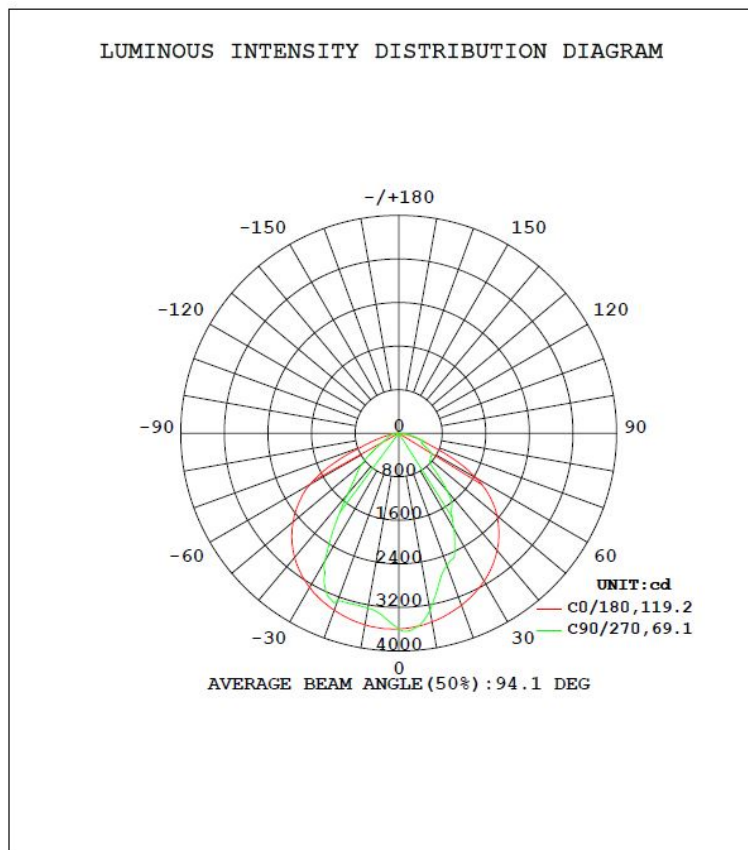
■ **Technical Parameters**

Type	Code: 90150-7		
Power	70W	Lighting Angle	60*90°
Input Voltage	AC100-277V	LED Brightness Decay	<5%/6000 hrs
PF	>0.95	Working Life	>50000 hrs
Driver Efficiency	>90%	Working Temperature	-30 - +45°C
Luminous Flux	7200 Lm	Storage Temperature	-40 -+80°C
Color Temperature	3000K/4000K/5000K/6500K	Protection Level	Wet Location/IP65
CRI	Ra>80	Cable	Input Connect, No cable

Remark: “Z” may be D or W represented color,

“Y” may be “P12”, “P27” or blank represented type of photoelectric Switches.

■ **Light Distribution Curve (Clear Lens)**



■ **ORDERING INFORMATION:**

■ **EXAMPLE: Code: 90150-7**

	FWP	45W	27	50K	D	P12
Company	Product	Power	Voltage	Color Temp	Finish	Control
LPT	FWP Full Cutoff Wall Pack	45W(45W) 07W(70W)	27 AC100-277V 48 AC200-480V	30K (3000K) 40K (4000K) 50K (5000K) 65K (6500K) ± 500K	D Dark Bronze W White	P12 120V Photocell P27 277V Photocell

■ **Product Certifications**

